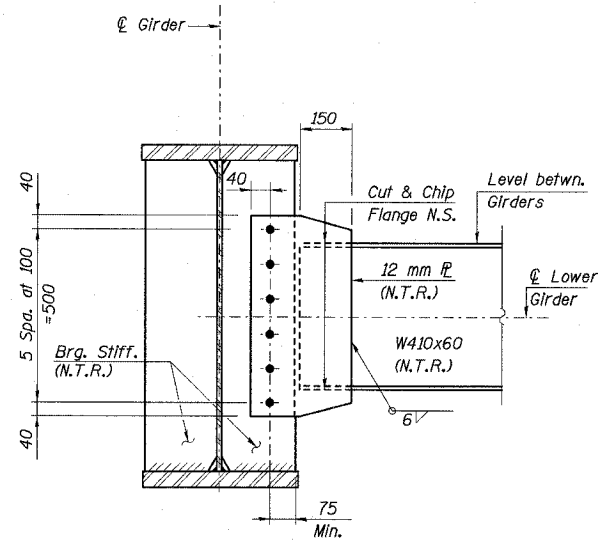
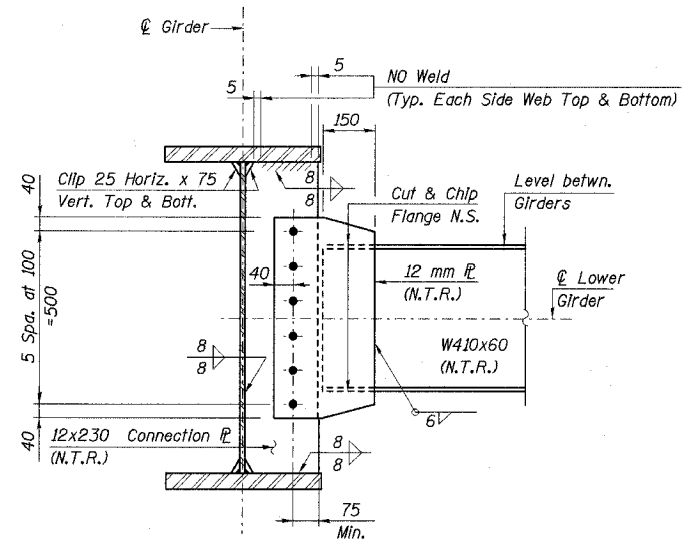


STATE OF ILLINOIS
DEPARTMENT OF TRANSPORTATION

ROUTE NO. F. A. I. 80/94	SECTION •	COUNTY COOK	TOTAL SHEETS 870	SHEET NO. 634	SHEET NO. 24 56 SHEETS
FED. ROAD DIST. NO. 1		ILLINOIS FED. AID PROJECT-		CONTRACT NO. 62108	
(0203.1 & 0312-708W)-3		CONTRACT NO. 62108			



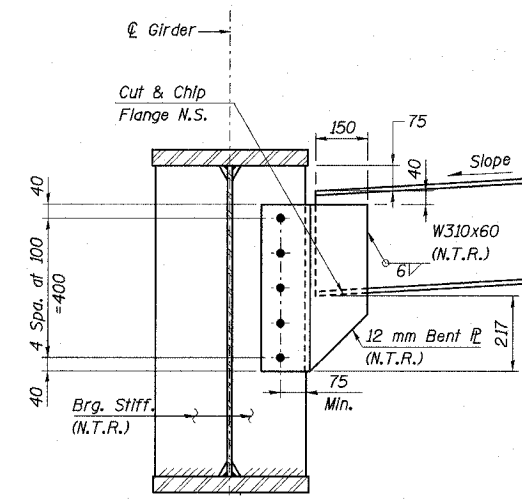
AT BEARING STIFFENER



AT CONNECTION PLATE

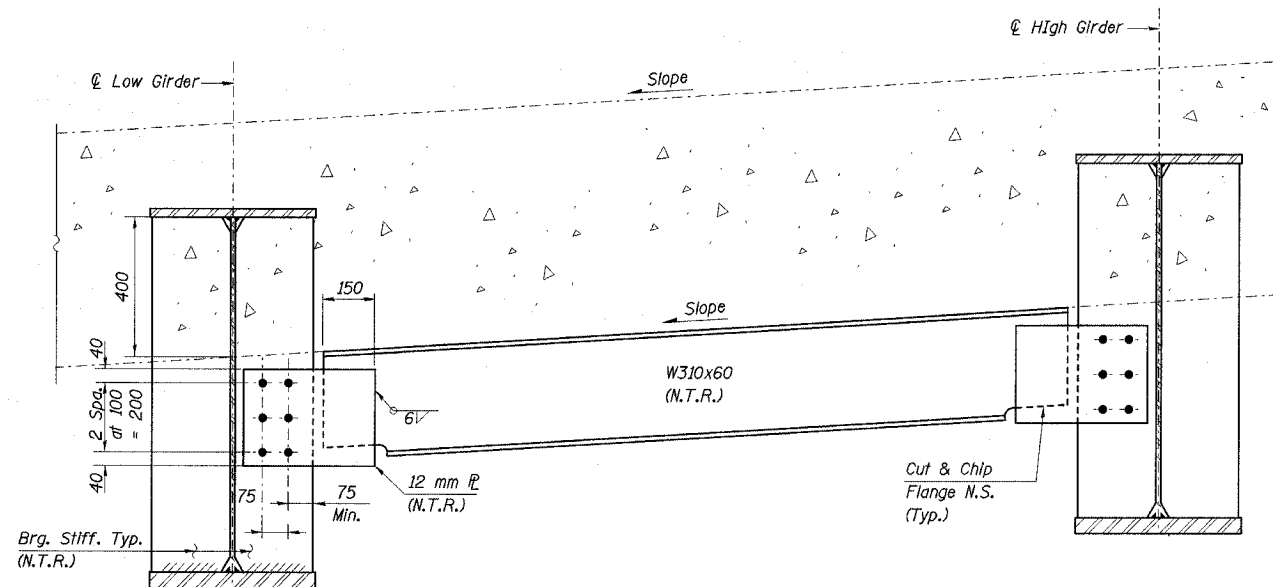
INTERIOR DIAPHRAGM

(AASHTO M270M Grade 345)



END DIAPHRAGM - EAST ABUTMENT
END DIAPHRAGM (SPECIAL) - WEST ABUTMENT

(AASHTO M270M Grade 345)



END DIAPHRAGM - WEST ABUTMENT

(AASHTO M270M Grade 345)

Notes:

1. All dimensions are in millimeters (mm) except as noted.
2. See Sheet No. 13 of 21 for bearing stiffener details and weld requirements.
3. N.T.R. denotes plates to which notch toughness requirements are applicable.
4. All diaphragm connections to have 28 mm ϕ oversized holes for all M22 H.S. bolts.
5. Two hardened washers shall be required over all oversized holes.

L:\k11te\j\34562\CADD\B1\SN_2807\cadd\CTR_19_2807\cadd\2807.dgn
18-AUG-2005 13:27

DESIGNED	MIL
CHECKED	JJK
DRAWN	LK
CHECKED	JJK

ILLINOIS DEPARTMENT OF TRANSPORTATION
I-94 EAST BOUND / IL 394 SOUTH BOUND
DIAPHRAGM DETAILS
EB I-94 OVER THORN CREEK
F.A.I. 94 SECTION (0203.1 & 0312-708W) R-3
COOK COUNTY
STA. 20+509.000 STRUCTURE NO. 016-2807
DATE JUL 18, 2005
SCALE ---
HNTB