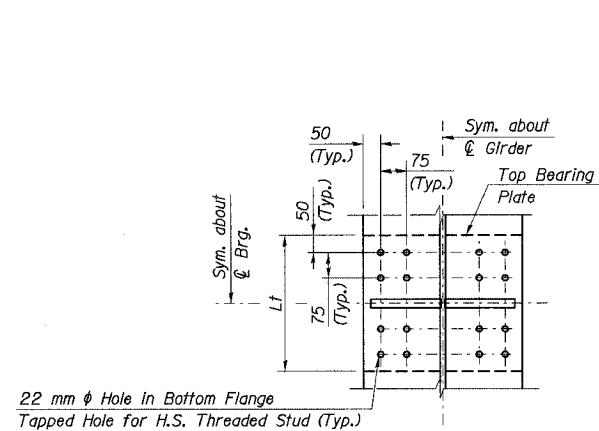
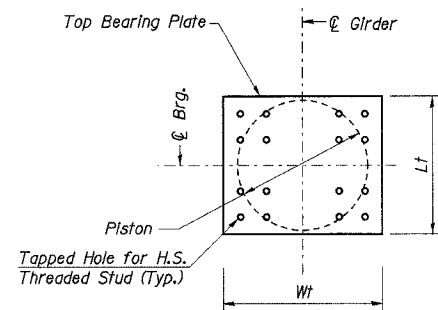


STATE OF ILLINOIS
DEPARTMENT OF TRANSPORTATION

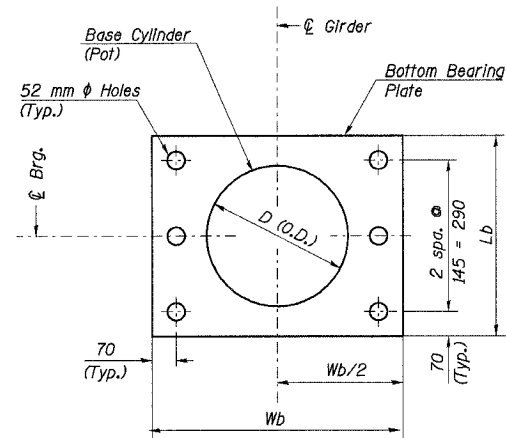
| | | | | | |
|-----------------------|---------|----------------------------|--------------------|-----------|---------------------------|
| ROUTE NO. | SECTION | COUNTY | TOTAL SHEETS | SHEET NO. | SHEET NO. 28 56 SHEETS |
| F. A. I. 80/94 | | COOK | 870 | 638 | |
| FED. ROAD DIST. NO. 1 | | ILLINOIS FED. AID PROJECT- | CONTRACT NO. 62108 | | |



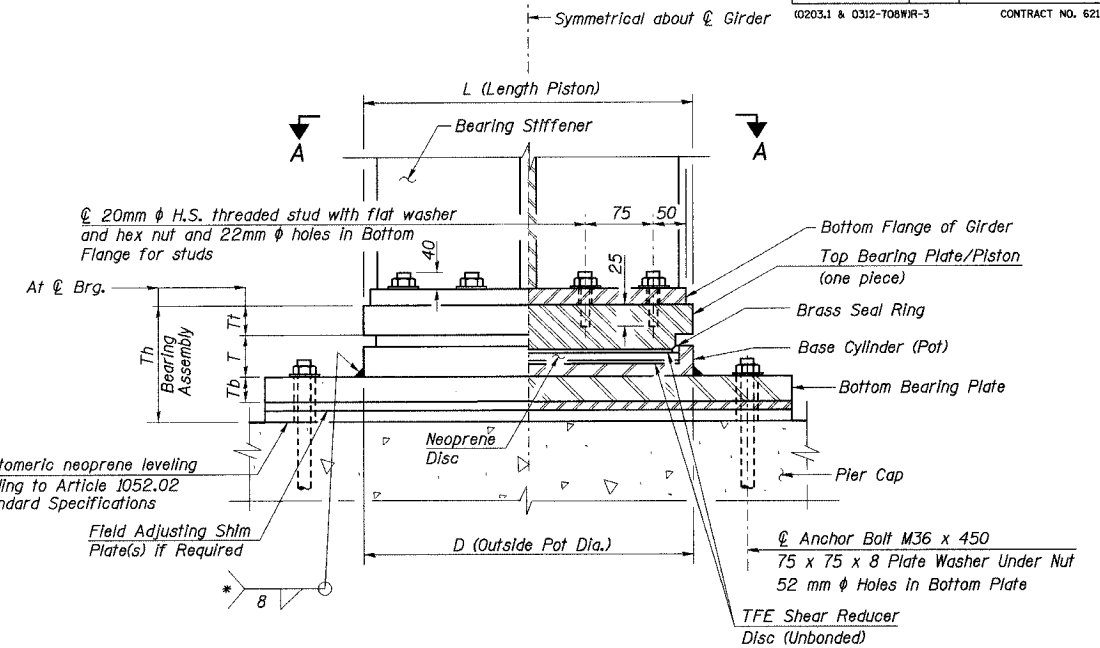
SECTION A-A



TOP BEARING PLATE / PISTON PLAN



BOTTOM BEARING PLATE AND BASE CYLINDER PLAN



HALF SECTION THRU FIXED BEARING

* Weld may be omitted if base cylinder is recessed into bottom bearing plate.

BEARING ASSEMBLY DIMENSIONS

| Member | Dimension | Location | |
|------------------|-----------|----------|--------|
| | | Pier 3 | Pier 4 |
| Top Plate | Wt | 480 | 480 |
| | Lt | 400 | 400 |
| | Tt | 70 | 65 |
| Bearing | D | 380 | 380 |
| | L | 380 | 380 |
| | T | 110 | 110 |
| Bottom Plate | Wb | 750 | 750 |
| | Lb | 430 | 430 |
| | Tb | 55 | 55 |
| Bearing Assembly | Th | 238 | 233 |

BEARING DESIGN INFORMATION

| Design Information | Location | |
|--------------------------------|----------|--------|
| | Pier 3 | Pier 4 |
| Vertical Design Load (kN) | 1352 | 1271 |
| Pay Item Size (kN) | 1500 | 1500 |
| Longitudinal Lateral Load (kN) | 551 | 551 |

Note:
Vertical Design Load = Total Vertical Dead Load + Live Load (No Impact)

BILL OF MATERIAL

| ITEM | UNIT | QUANTITY |
|--|------|----------|
| Erecting Floating Bearings, Fixed, 1500 kN | Each | 12 |

- Notes:
- All dimensions are in millimeters (mm) except as shown.
 - The structural steel for the top bearing plate/piston and bottom bearing plate shall be AASHTO M 270M Grade 345.
 - Cost of top and bottom bearing plates, 3 mm elastomeric neoprene, and threaded studs with washer shall be included with Furnishing Floating Bearings.
 - For anchor bolt type and details, see Sht. No. 31 of 56 sheets.

| | |
|----------|-----|
| DESIGNED | TRL |
| CHECKED | JJK |
| DRAWN | LK |
| CHECKED | JJK |

ILLINOIS DEPARTMENT OF TRANSPORTATION
I-94 EAST BOUND / IL 394 SOUTH BOUND
FLOATING FIXED BEARINGS
EB I-94 OVER THORN CREEK
F.A.I. 94 SECTION (0203.1 & 0312-708W) R-3
COOK COUNTY
STA. 20+509.000 STRUCTURE NO. 016-2807
DATE JUL 18, 2005
SCALE ---
HNTB

J:\Beauchamp\BA\41852\ACD\1\1\SN_2807\cadd\CTR_19_2807\19-190014_e-2807.dgn
 08-JUL-2005 1:42:28