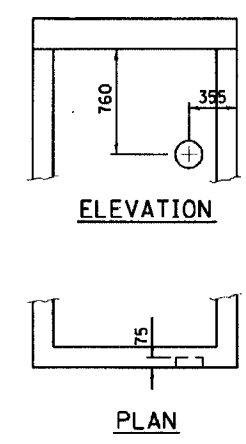


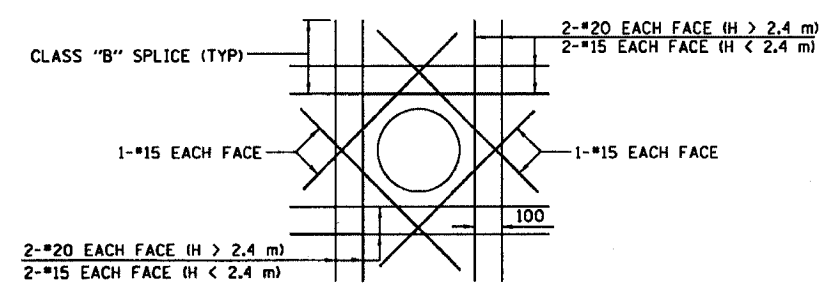
F.A.I. RTE.	SECTION	COUNTY	TOTAL SHEETS	SHEET NO.
80/94	•	COOK	870	730
STA.	TO STA.			
FED. ROAD DIST. NO.	ILLINOIS FED. AID PROJECT			
*(0203.1 & 0312-708W) R-3 CONTRACT NO. 62108				

**DRAINAGE STRUCTURES
ALONG BARRIER WALL**



AS SHOWN PROVIDE ON EACH FACE ONE (1) 75 DEEP DEPRESSION FOR USE AS UNDERDRAIN CONNECTIONS.
 USE: 125 DIAMETER FOR 100 P.U.
 175 DIAMETER FOR 150 P.U.
 225 DIAMETER FOR 200 P.U.
 REFER TO PLANS FOR SIZE & LOCATIONS OF UNDERDRAIN

PIPE UNDERDRAIN CONNECTION DETAIL

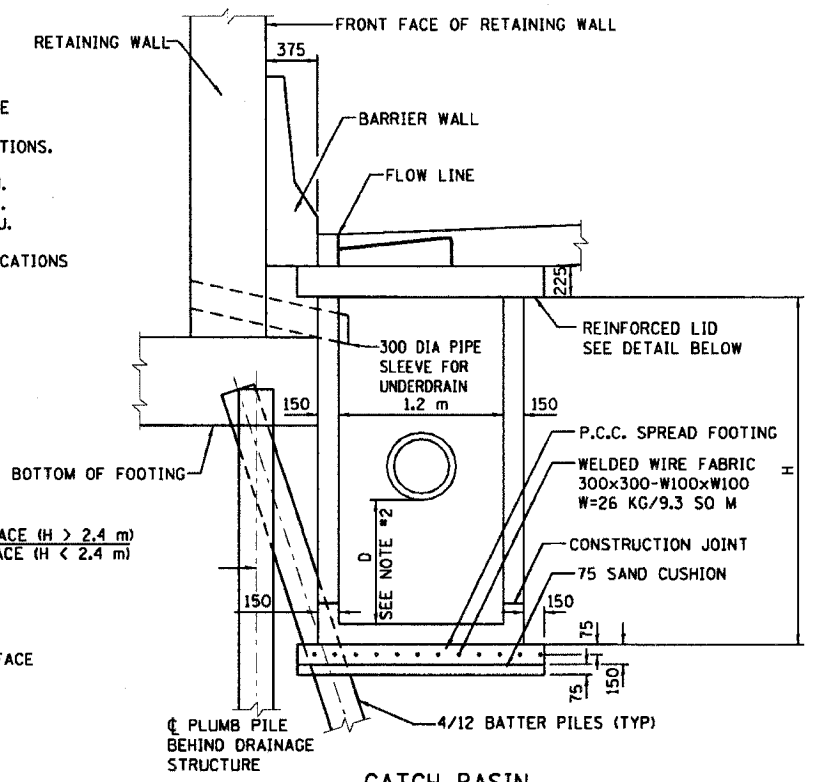


**TYPICAL REINFORCEMENT DETAIL
AROUND OPENINGS
(OPENNING ≥ 300)**

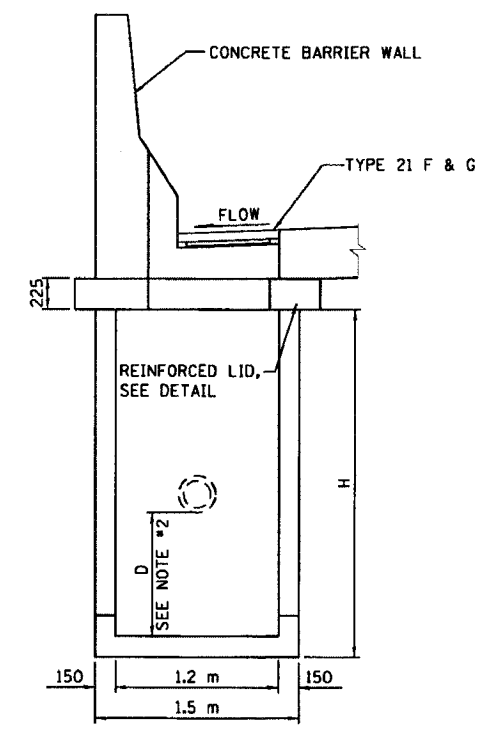
WHERE CLASS "B" SPLICE LENGTH ANCHORAGE IS NOT POSSIBLE, BARS SHOULD BE HOOKED.

NOTES:

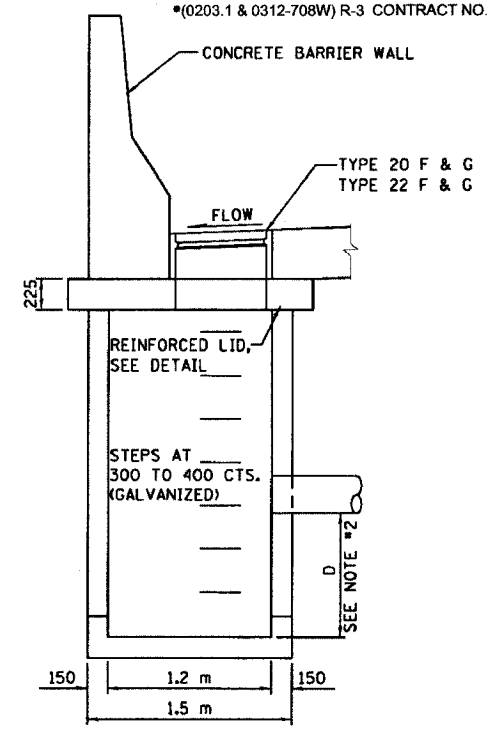
- DRAINAGE STRUCTURE SHALL CONFORM TO I.D.O.T. STANDARD 602101 EXCEPT AS NOTED.
- D = 0 m FOR INLETS
D = 900 FOR C.B.'S.
- SAND CUSHION SHALL CONFORM TO THE REQUIREMENTS OF ARTICLE 1003.01 (FA1 OR FA2).
- THE FOOTING WILL NOT BE PAID FOR SEPARATELY, BUT SHALL BE CONSIDERED INCLUDED IN THE COST OF THE DRAINAGE STRUCTURE.
- REINFORCEMENT FOR STRUCTURE WALLS AND BASE SLAB SHALL BE IN ACCORDANCE WITH STD. 602101 FOR DEPTHS UP TO H=2.4 m
- STEPS SHALL BE INCLUDED IN ALL STRUCTURES
- ALL DIMENSIONS IN MILLIMETERS UNLESS OTHER WISE NOTED.
- SEE STANDARD 602701 FOR DETAILS OF STEPS.
- WHERE THE ADJACENT SHOULDER OR PAVEMENT THICKNESS EXCEEDS THAT OF THE NEW FRAME, THE CONTRACTOR SHALL INSTALL THE CATCH BASIN LID FLUSH OR LOWER THAN THE BOTTOM OF THE ADJACENT SHOULDER OR PAVEMENT AND ADJUST THE FRAME AND LID IN ACCORDANCE WITH APPLICABLE PORTIONS OF SECTION 503 OF THE STANDARD SPECIFICATIONS.
- IN ADDITION TO THE REQUIRMENTS OF ARTICLE 602.15 OF THE STANDARD SPECIFICATIONS, THE CONTRACT UNIT PRICE FOR THE DRAINAGE STRUCTURE SHALL INCLUDE THE SAND CUSHION, ADJUSTING RINGS WHEN REQUIRED AND FURNISHING AND COMPACTING THE SPECIFIED BACKFILL MATERIAL.



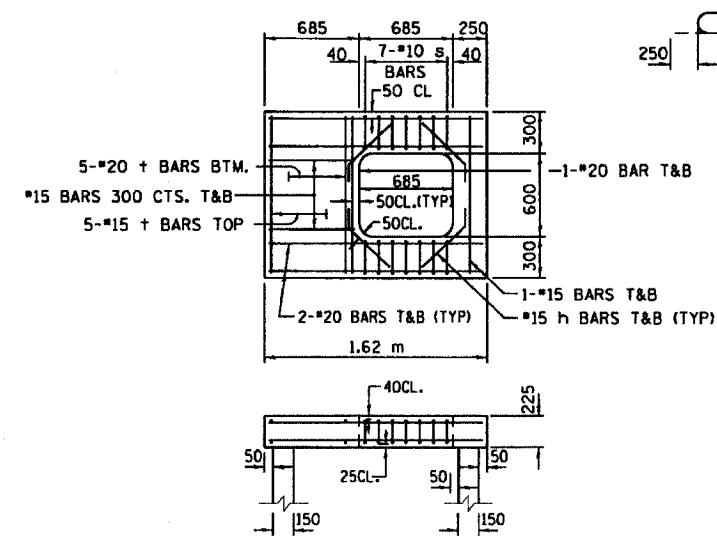
**CATCH BASIN
ALONG RETAINING WALLS**



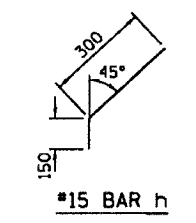
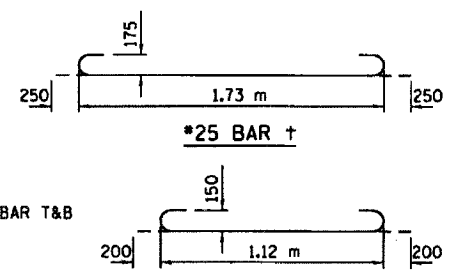
1.2x0.9 WITH ONE TYPE 21 F&G



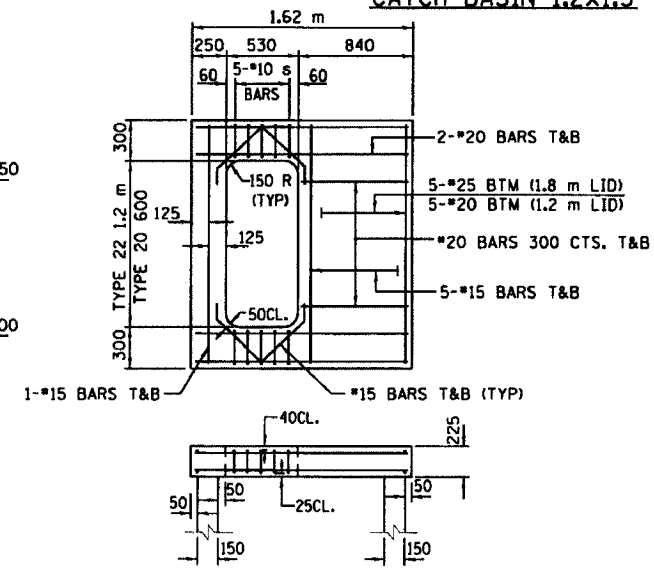
**CATCH BASIN 1.2x0.9
CATCH BASIN 1.2x1.5**



REINFORCED LID FOR TYPE 21 F&G



BAR DETAILS



**REINFORCED LID FOR
TYPE 20 AND 22 F&G**

REVISIONS	
NAME	DATE
ACE	02/04

ILLINOIS DEPARTMENT OF TRANSPORTATION
 F.A.I. ROUTE 80/94 (KINGERY EXPRESSWAY)
**CATCH BASIN AND INLET
 1.2 x 0.9 AND 1.2 x 1.5
 FOR H ≤ 2.4**
 SCALE NONE
 DATE 09/03
 DRAWN BY ACE/CAD
 CHECKED BY

F:\Projects\20140801\Contract & Structure Information\Drawings\US_7.dgn Thu Feb 26 07:02:54 2004