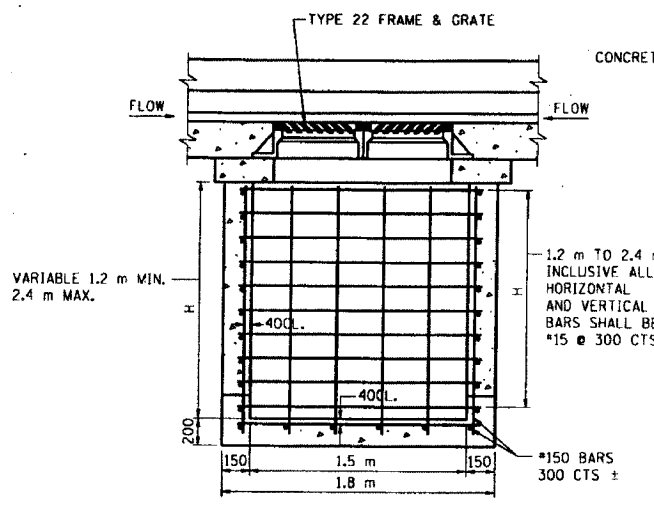
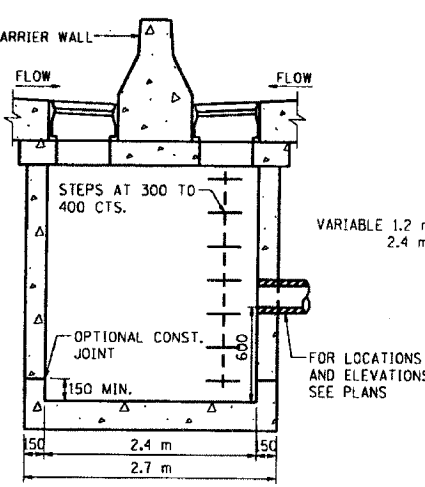


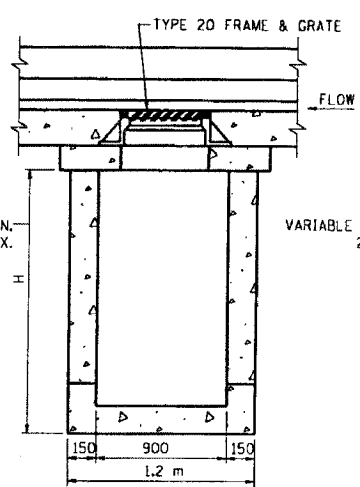
F.A.I. RTE.	SECTION	COUNTY	TOTAL SHEETS	SHEET NO.
80/94		COOK	870	732
STA.	TO STA.			
FED. ROAD DIST. NO.	ILLINOIS	FED. AID PROJECT		
(0203.1 & 0312-708W) R-3 CONTRACT NO. 62108				



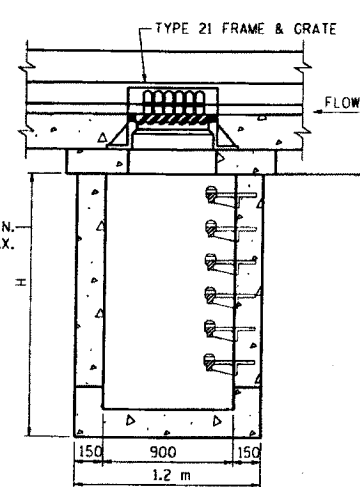
FRONT ELEVATION
(DRAINAGE STRUCTURE, TYPE 2.4m x 1.5m)
TYPE 22 FRAME AND GRATE



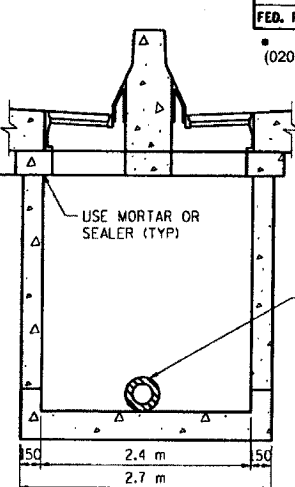
SIDE ELEVATION
(DRAINAGE STRUCTURE, TYPE 2.4m x 0.9m & 2.4m x 1.5m)
TYPE 20 & 22 FRAME AND GRATE



FRONT ELEVATION
(DRAINAGE STRUCTURE, TYPE 2.4m x 0.9m)
TYPE 20 FRAME AND GRATE



FRONT ELEVATION
(DRAINAGE STRUCTURE, TYPE 2.4m x 0.9m)
TYPE 21 FRAME AND GRATE



SIDE ELEVATION
(DRAINAGE STRUCTURE, TYPE 2.4m x 0.9m)

GENERAL NOTES

CLASS PC CONCRETE OR PRECAST CONCRETE SHALL BE USED THROUGHOUT. CLASS PC CONCRETE SHALL BE CONSTRUCTED IN ACCORDANCE WITH SECTION 504 OF THE STANDARD SPECIFICATIONS

PRECAST CONCRETE SHALL BE IN ACCORDANCE WITH ARTICLES 504.01 THRU 504.05 OF THE STANDARD SPECIFICATIONS EXCEPT THAT CONCRETE STRENGTH SHALL BE AT LEAST 27,600 KPa AFTER 28 DAYS. SHOP DRAWINGS WILL NOT BE REQUIRED FOR PRECAST UNITS.

THE REINFORCEMENT SHOWN IN THE FRONT ELEVATION OF THE TYPE 2.4m x 1.5m IS TYPICAL FOR BOTH ELEVATIONS OF ALL TYPES.

EXPOSED EDGES SHALL BE BEVELED 20.

SEE STANDARD 602701 FOR DETAILS OF CAST IRON STEPS.

A 75 DEEP SAND BEDDING CONFORMING TO ARTICLE 1003.01 (FA 1 OF AF 2) SHALL BE PROVIDED UNDER THE FULL LENGTH AND WIDTH OF PRECAST UNITS.

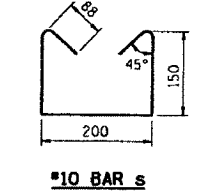
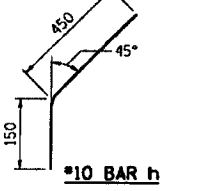
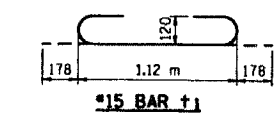
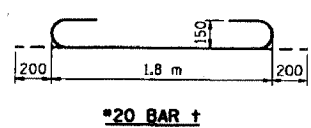
ALL VOIDS AROUND PIPE ENTRANCES, BOTH INSIDE AND OUTSIDE SHALL BE SEALED WITH MORTAR.

EACH DRAINAGE STRUCTURE SHALL BE EXCAVATED FOR AND BACKFILLED IN ACCORDANCE WITH THE REQUIREMENTS OF ARTICLE 602.11 OF THE STANDARD SPECIFICATIONS.

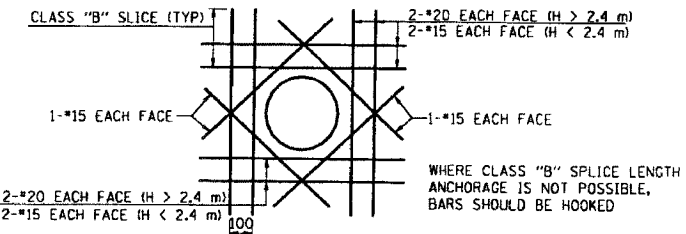
IN ADDITION TO THE REQUIREMENTS OF ARTICLE 602.15 OF THE STANDARD SPECIFICATIONS, THE CONTRACT UNIT PRICE FOR DRAINAGE STRUCTURE SHALL INCLUDE THE SAND CUSHION WHEN REQUIRED, FURNISHING AND INSTALLING STEPS WHEN REQUIRED, AND FURNISHING AND COMPACTING THE SPECIFIED BACKFILL MATERIAL.

WHERE THE ADJACENT SHOULDER OR PAVEMENT THICKNESS EXCEEDS THAT OF THE NEW FRAME, THE CONTRACTOR SHALL INSTALL THE CATCH BASIN LID FLUSH OR LOWER THAN THE BOTTOM OF THE ADJACENT SHOULDER OR PAVEMENT AND ADJUST THE FRAME AND LID IN ACCORDANCE WITH APPLICABLE PORTIONS OF SECTION 503 OF THE STANDARD SPECIFICATIONS.

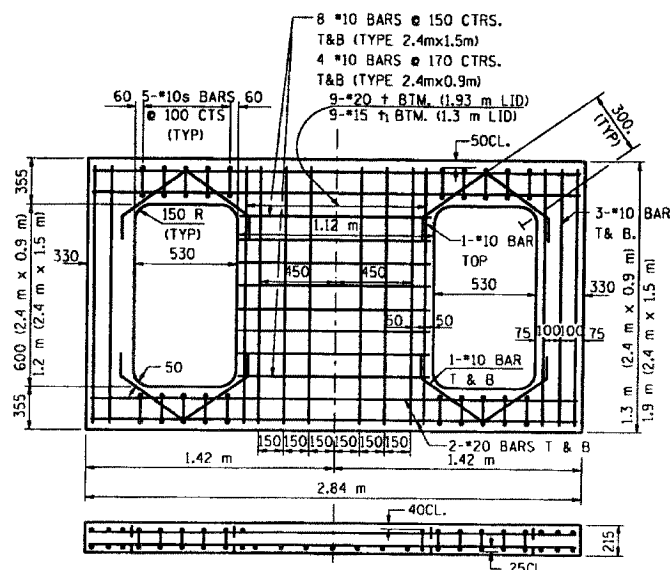
IN ADDITION TO THE REQUIREMENTS OF ARTICLE 602.15 OF THE STANDARD SPECIFICATIONS, THE CONTRACT UNIT PRICE FOR THE DRAINAGE STRUCTURE SHALL INCLUDE THE SAND CUSHION, ADJUSTING RINGS WHEN REQUIRED AND FURNISHING AND COMPACTING THE SPECIFIED BACKFILL MATERIAL.



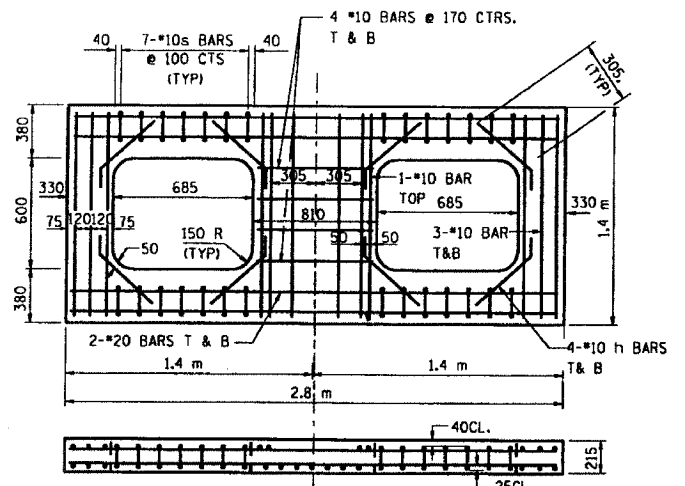
BAR DETAILS



TYPICAL REINFORCEMENT DETAIL AROUND OPENINGS
(OPENING ≥ 300)



REINFORCED LID FOR DRAINAGE STRUCTURES, TYPE 2.4 m x 0.9 m & 2.4 m x 1.5 m
TYPE 20 & 22 FRAME & GRATE



REINFORCED LID FOR DRAINAGE STRUCTURE TYPE 2.4m x 0.9m
TYPE 21 FRAME & GRATE
(FOR USE IN SAG AREAS)

REVISIONS	
NAME	DATE
ACE	02/04

ILLINOIS DEPARTMENT OF TRANSPORTATION
F.A.I. ROUTE 80/94 (KINGERY EXPRESSWAY)

CATCH BASIN
TYPES 2.4mx0.9m & 2.4mx1.5m
FOR H ≤ 2.4

SCALE NONE
DATE 09/03

DRAWN BY ACE/CAD
CHECKED BY