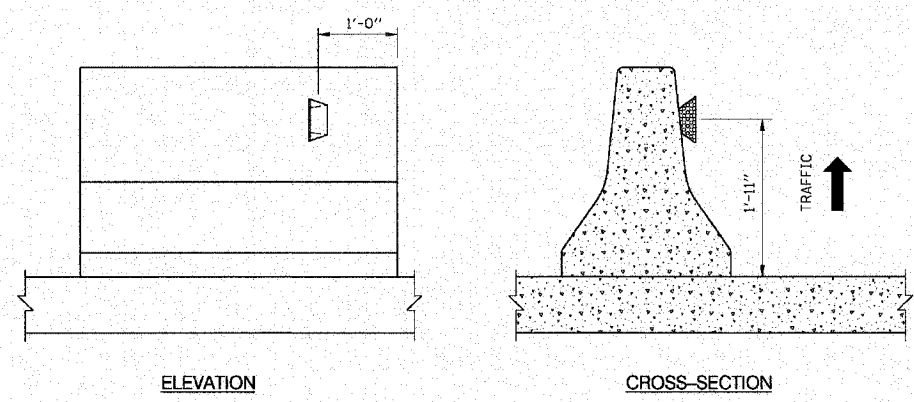


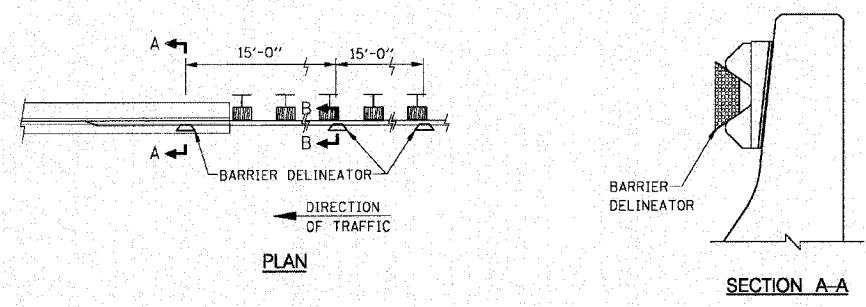
F.A.I. RTE	SECTION	COUNTY	TOTAL SHEETS	SHEET NO.
80/94	•	COOK	870	751
STA.		TO STA.		
FED ROAD DIST. NO.		ILLINOIS FED. AID PROJECT		



**MOVABLE CONCRETE BARRIER**

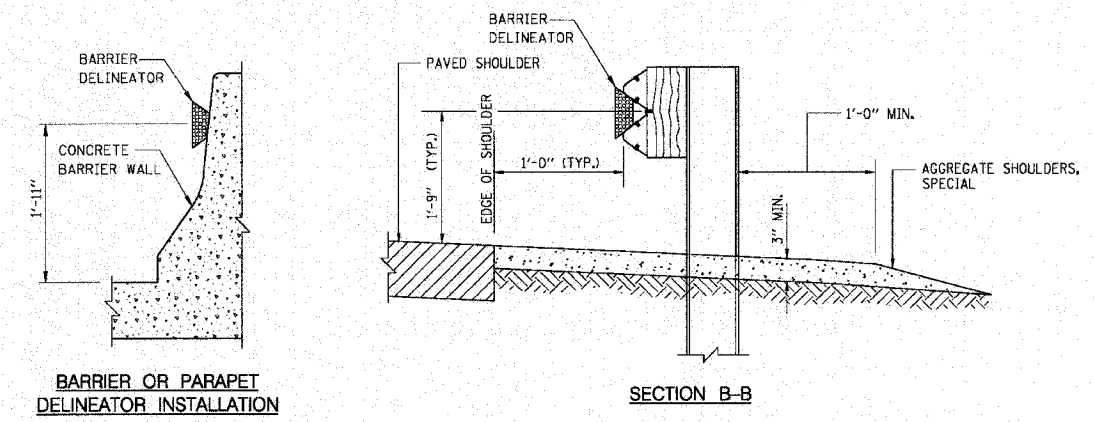
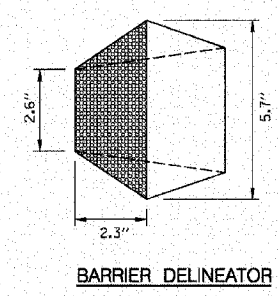
**NOTES FOR BARRIER DELINEATOR:**

1. THE BARRIER DELINEATOR SHALL CONSIST OF A TRAPEZOIDAL SHAPED PLASTIC BODY WITH A FLAT ACRYLIC PLASTIC RETROREFLECTIVE LENS HERMETICALLY SEALED TO IT, CAPABLE OF REFLECTING INCIDENT LIGHT FROM WIDE ANGLES, THE ANGLE OF REFLECTING FACE SHALL BE 11 DEGREES.
2. THE ADHESIVE AND MATERIALS FOR THE BODY AND LENS SHALL BE PER SUBSECTION 1133.3 OF THE STANDARD SPECIFICATIONS. THE ADHESIVE IS APPLIED TO THE BASE OF THE DELINEATOR FOR BONDING TO CONCRETE BARRIER AND TO THE SIDES OF THE DELINEATOR FOR BONDING INTO A GUARDRAIL.
3. THE BARRIER DELINEATORS SHALL BE PLACED AT 100 FOOT SPACINGS ALONG ROADWAY AND 50 FOOT ON BRIDGES AND THREE DELINEATORS AT 15 FOOT SPACINGS ON BRIDGE APPROACHES. THE SPACINGS ARE THE SAME FOR TANGENT AND CURVE ALIGNMENTS. WHITE DELINEATOR SHALL BE PLACED ON THE RIGHT SIDE AND AMBER ON THE LEFT SIDE.
4. FOR MOVABLE CONCRETE BARRIERS, ONE DELINEATOR WILL BE PLACED AND MAINTAINED ON THE TRAFFIC SIDE OF EACH BARRIER SECTION IN ACCORDANCE WITH SECTION 710.2.1 OF THE STANDARD SPECIFICATIONS.
5. BARRIER DELINEATOR SHALL BE PAID FOR AT THE CONTRACT UNIT PRICE PER EACH.



**POST MOUNTED DELINEATOR SPACING ON CURVES**

RADIUS OF CURVE (FT.)	SPACING ON CURVE (FT.)	SPACING IN ADVANCE AND BEYOND CURVE (FT.)		
		1ST	2ND	3RD
LESS THAN 100	20	40	65	125
100 - 174	30	60	90	180
175 - 224	35	70	110	200
225 - 274	40	85	125	200
275 - 349	50	95	145	200
350 - 449	55	110	170	200
450 - 549	65	125	190	200
550 - 649	70	140	200	200
650 - 749	75	150	200	200
750 - 849	80	165	200	200
850 - 949	85	175	200	200
950 - 1049	90	185	200	200
1050 - 1299	100	200	200	200
1300 - 1999	125	200	200	200
2000 - 2999	150	200	200	200
3000 - 3999	175	200	300	200
MORE THAN 3999	200	200	200	200



**BARRIER DELINEATOR INSTALLATION ON GUARDRAIL AT BRIDGE APPROACHES**

ALSO SEE STANDARD DRAWING SD-XX-18 (SHEET 1 OF 2) FOR ADDITIONAL INFORMATION

SHEET 2 OF 2

APPROVED: [Signature] DATE: 11-01-2003

**CTE ENGINEERS**  
CONSIDER TOWNSEND ENVIRONMENTAL ENGINEERS, INC.

**THE ILLINOIS STATE TOLL HIGHWAY AUTHORITY**  
2700 OGDEN AVENUE  
DOWNERS GROVE, ILLINOIS 60515

REVISIONS		STANDARD SD 03-18	DRAWING NO.
NO.	DATE		
		DELINATORS	D12 OF

ILLINOIS DEPARTMENT OF TRANSPORTATION  
I-94 EAST BOUND / IL 394 SOUTH BOUND

**ISTHA STANDARD SD 03-18  
DELINATORS**

HORIZ SCALE:  
VERT SCALE:  
DATE: JULY 18, 2005  
DRAWN BY: BJM  
CHECKED BY: BJM

**HNTB**