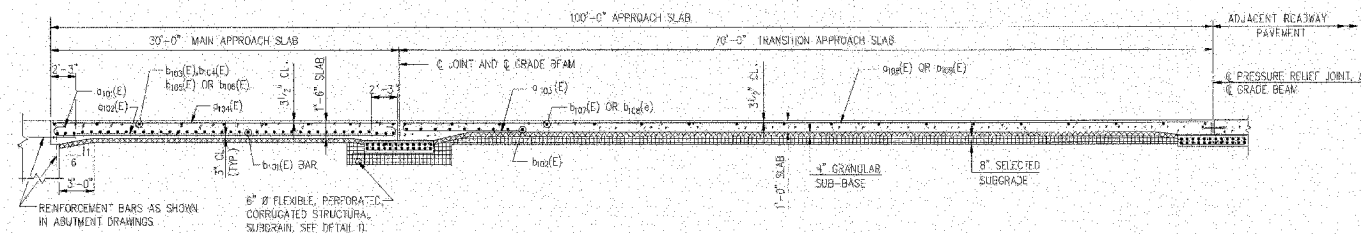
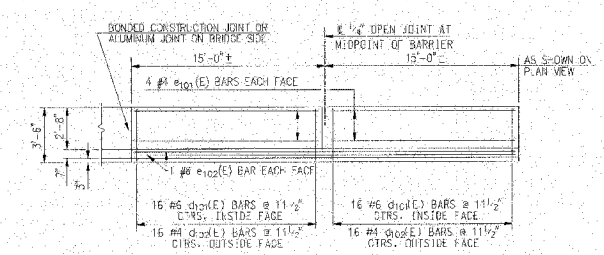


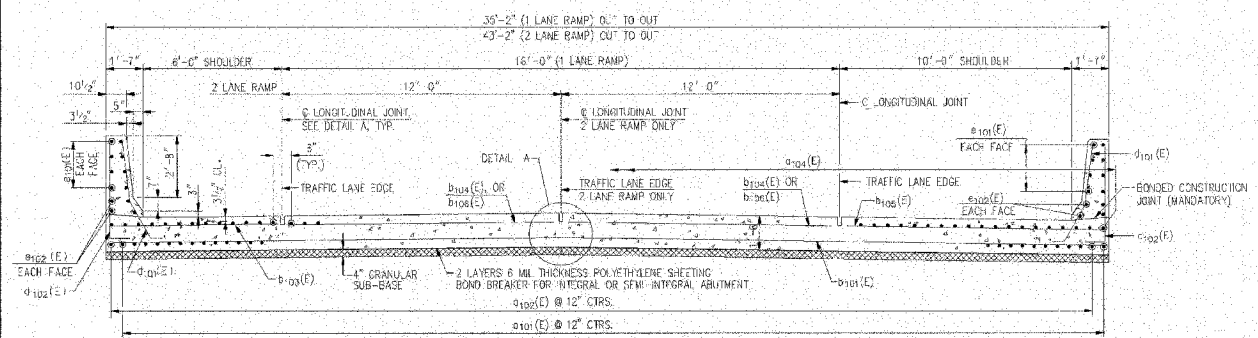
FBI RTE	SECTION	COUNTY	TOTAL SHEETS	SHEET NO.
80/94		COOK	870	757
STA.		TO STA.		
FED ROAD DIST. NO.		ILLINOIS		FED. AID PROJECT



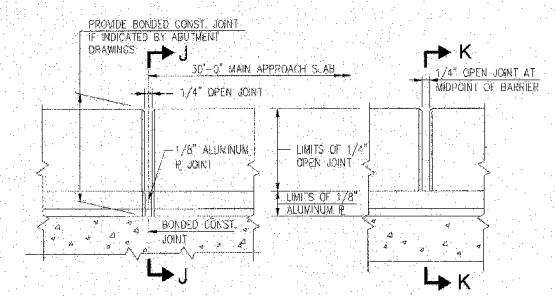
LONGITUDINAL CROSS SECTION



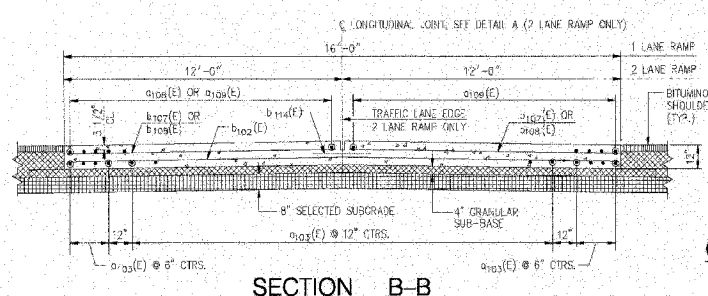
BARRIER ELEVATION



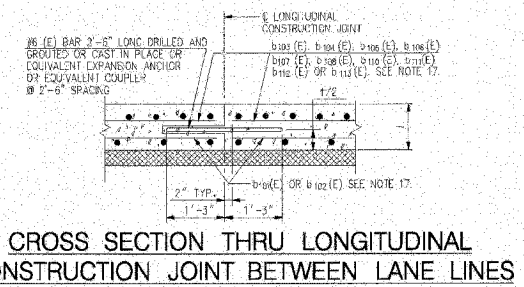
SECTION A-A



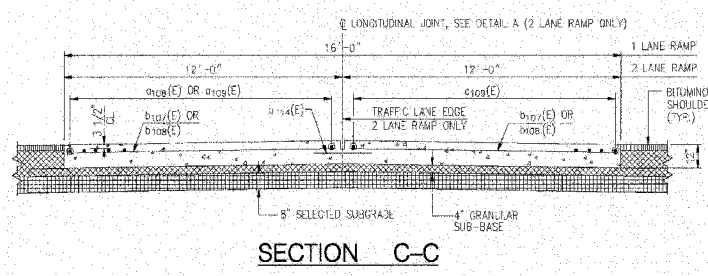
ELEVATION DETAIL OF BARRIER JOINTS



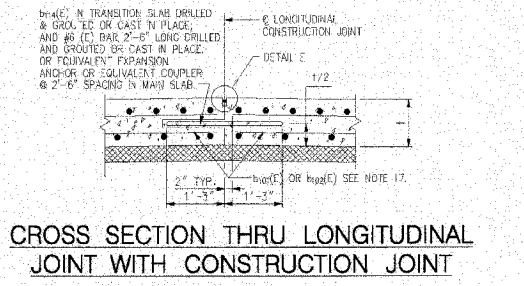
SECTION B-B



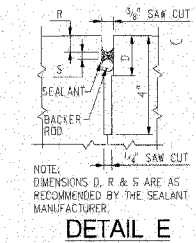
CROSS SECTION THRU LONGITUDINAL CONSTRUCTION JOINT BETWEEN LANE LINES



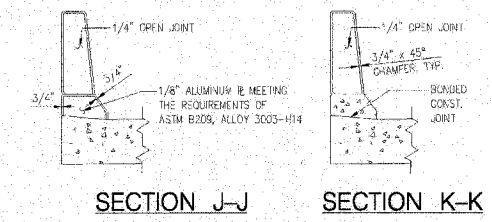
SECTION C-C



CROSS SECTION THRU LONGITUDINAL JOINT WITH CONSTRUCTION JOINT

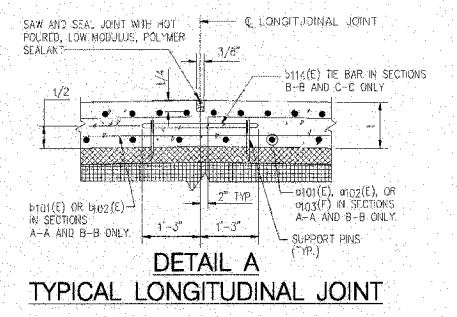


DETAIL E



SECTION J-J

SECTION K-K



DETAIL A
TYPICAL LONGITUDINAL JOINT

SHEET 2 OF 5

APPROVED: <i>Jeff Kelly</i> CHIEF ENGINEER DATE: 10-12-2004	CTE ENGINEERS CONSIDER TOWNSEND ENVIRONMENTAL ENGINEERS, INC.	THE ILLINOIS STATE TOLL HIGHWAY AUTHORITY 2700 GOLDEN AVENUE DOWNERS GROVE, ILLINOIS 60515	REVISIONS NO. DATE DESCRIPTION	STANDARD ST 04-14 APPROACH SLAB, RAMP SECTIONS AND DETAILS	DRAWING NO. G23 OF

ILLINOIS DEPARTMENT OF TRANSPORTATION
 I-94 EAST BOUND / IL 394 SOUTH BOUND

**ISHTA STANDARD ST 04-14
 APPROACH SLAB, RAMP,
 SECTIONS AND DETAILS**

HORIZ SCALE:
 VERT SCALE:
 DATE: JUL 18, 2005

DRAWN BY: LK
 CHECKED BY: PY

HNTB