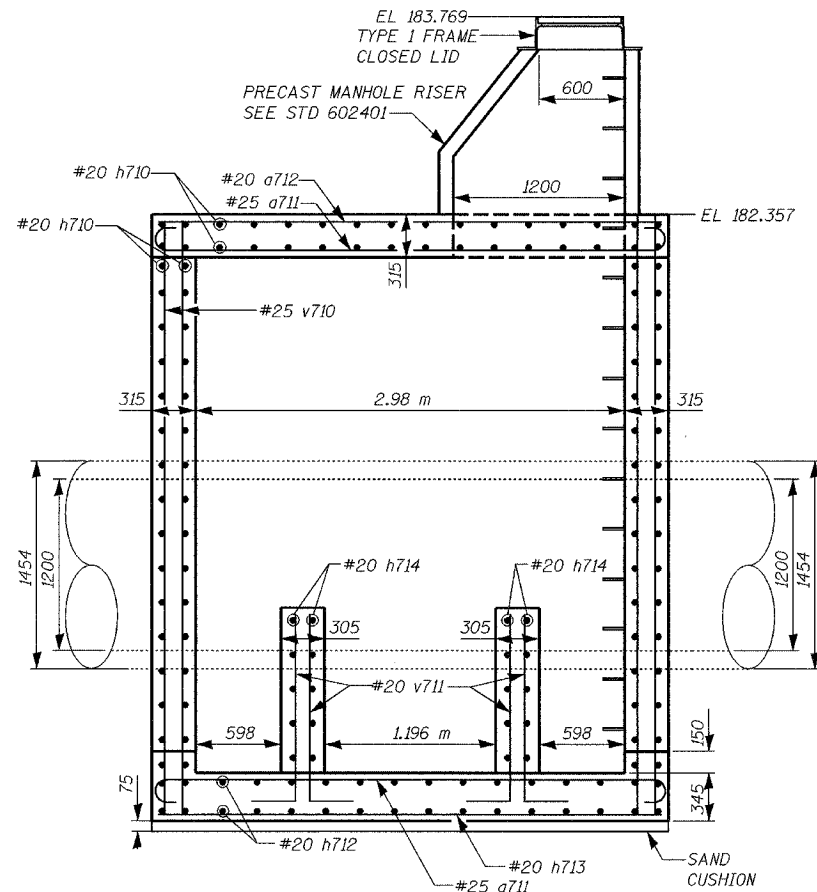
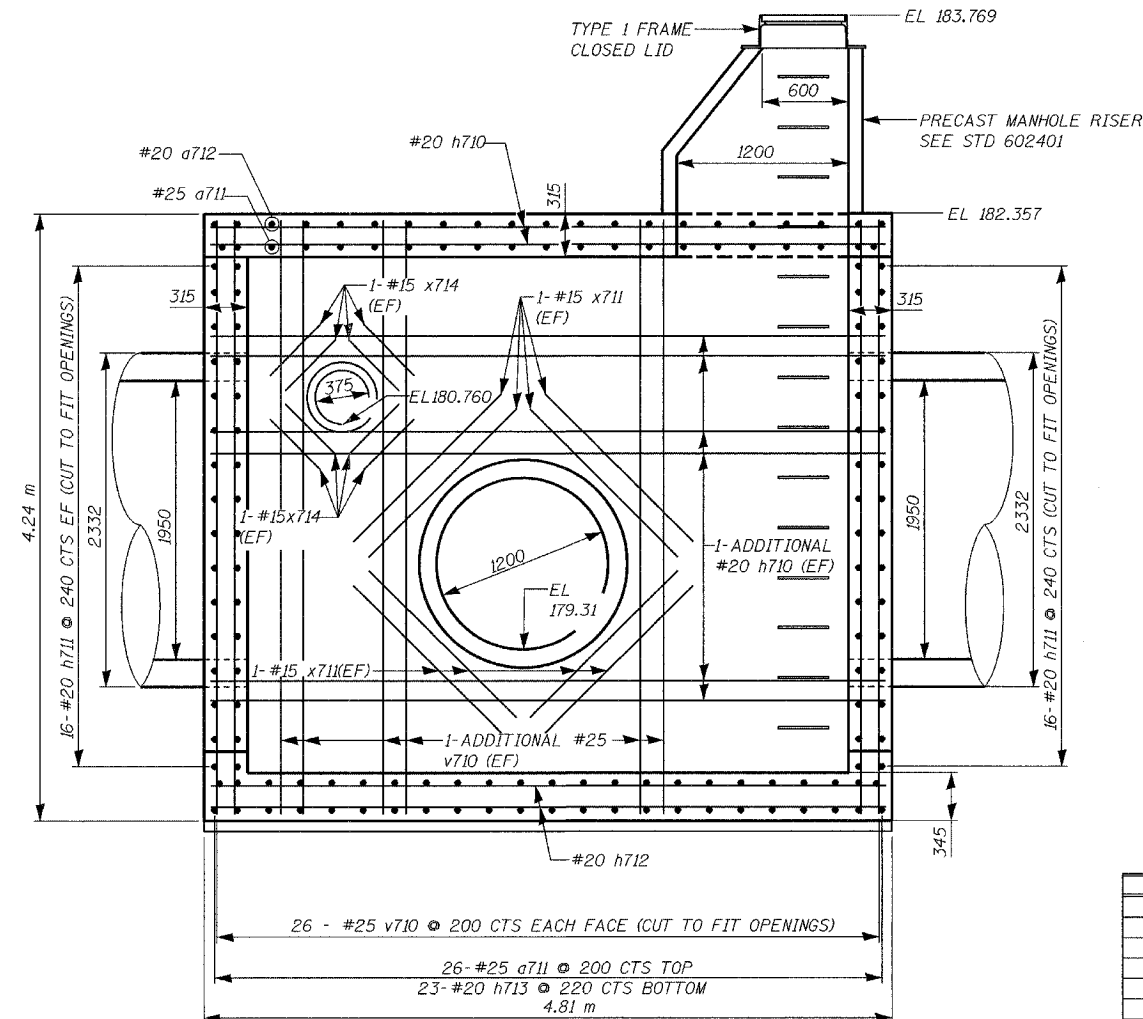


ALL DIMENSIONS IN MILLIMETERS EXCEPT  
PAY ITEMS AND UNLESS NOTED OTHERWISE

F.A.I. RTE. 80/94	SECTION 2626.2-R-2	COUNTY COOK/LAKE	TOTAL SHEETS 1207	SHEET NO. 286
STA. FED. ROAD DIST. NO.	TO STA. ILLINOIS		FED. AID PROJECT	
CONTRACT NO. 62114		INDOT DES. NO. 0100987		



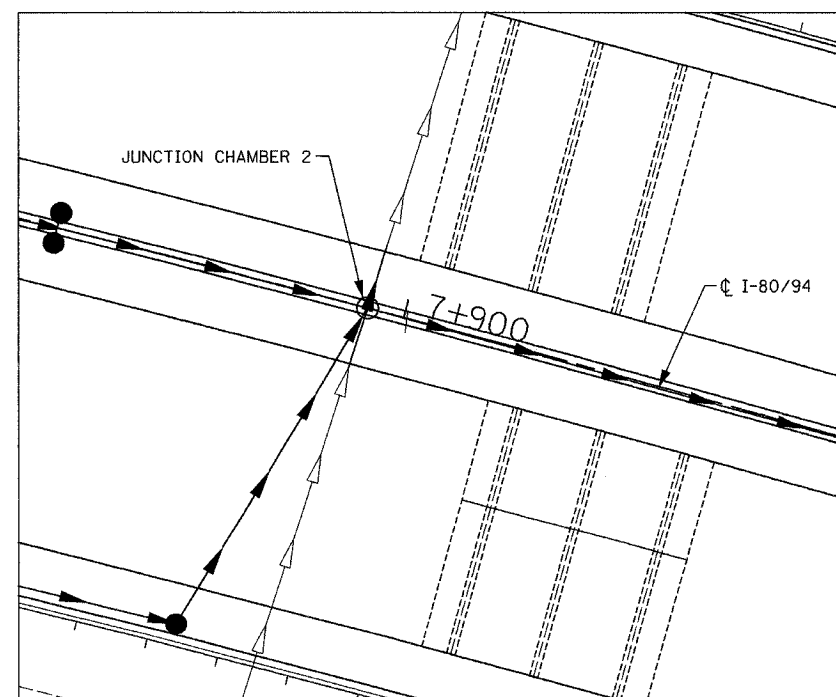
SECTION C-C



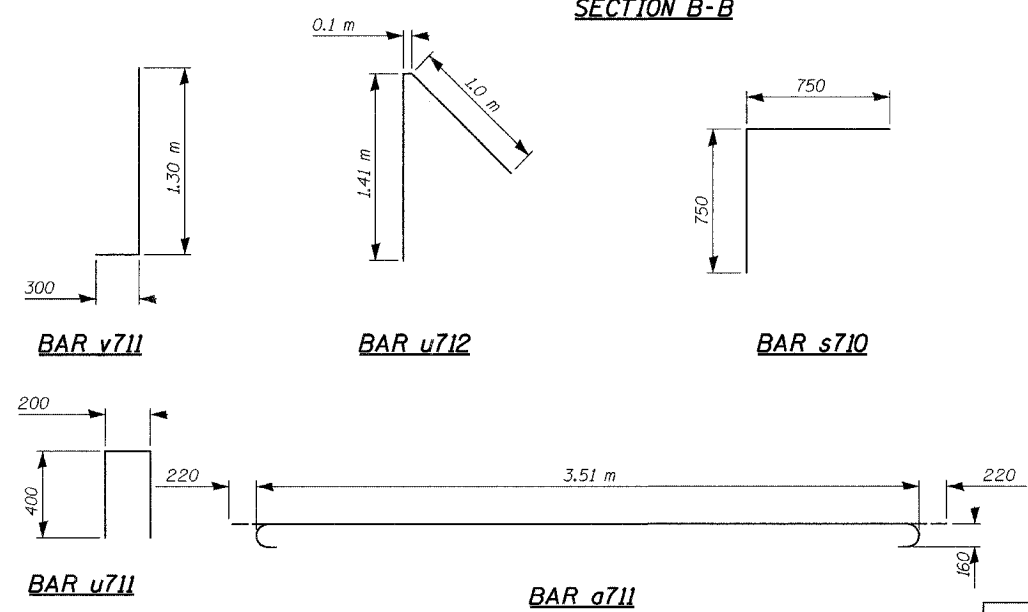
SECTION B-B

BAR LIST

Bar	No.	Size	Length (m)	Shape
a711	54	#25	3.95	—
a712	24	#20	3.51	—
h710	122	#20	4.71	—
h711	80	#20	3.51	—
h712	36	#20	4.66	—
h713	23	#20	3.46	—
h714	16	#20	1.62	—
s710	76	#20	1.50	—
u711	20	#20	1.00	—
u712	8	#20	2.51	—
v710	220	#25	4.12	—
v711	40	#20	1.61	—
x711	32	#15	1.65	—
x712	32	#15	2.53	—
x713	16	#15	1.40	—
x714	16	#15	0.69	—



LOCATION PLAN



REVISIONS	
NAME	DATE

ILLINOIS DEPARTMENT OF TRANSPORTATION  
I-80/94/US 6 (KINGERY EXPRESSWAY)  
BURNAM ROAD TO US 41 (CALUMET AVE)

JUNCTION CHAMBER NO. 2  
SHEET 2 OF 2

SCALE NTS  
DATE 07/05  
DRAWN BY ACE/CAD  
CHECKED BY TAE

