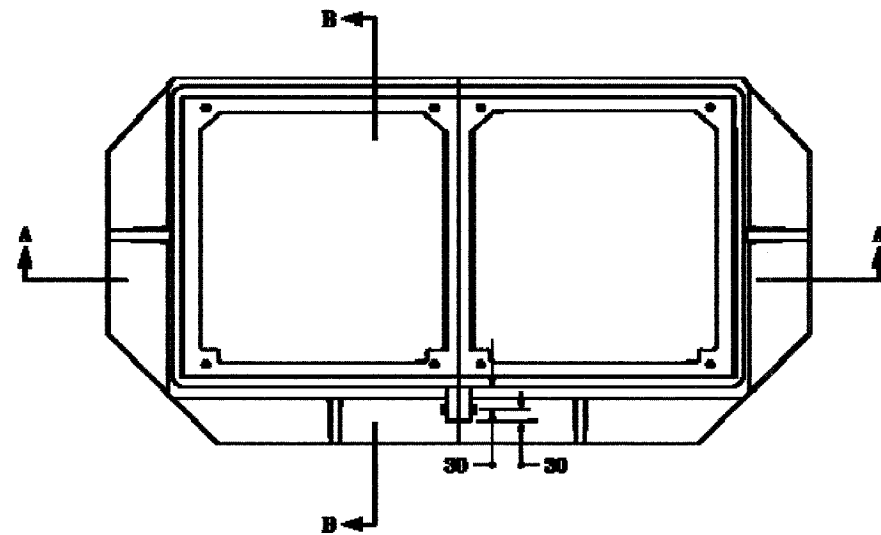
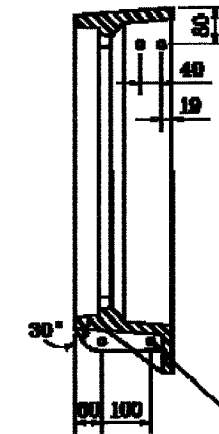


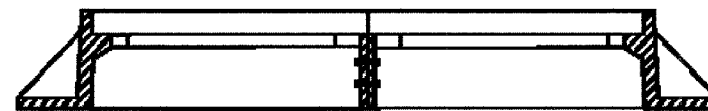
F.A.I. RTE.	SECTION	COUNTY	TOTAL SHEETS	SHEET NO.
80/94	2626.2-R-2	COOK/LAKE	1207	314A
STA.		TO STA.		
FED. ROAD DIST. NO.		ILLINOIS	FED. AID PROJECT	
CONTRACT NO. 62114		INDOT DES. NO. 0100987		



**PLAN**



**SECTION B-B**



**SECTION A-A**

All dimensions are in mm unless otherwise specified.

INDIANA DEPARTMENT OF TRANSPORTATION

**CASTING TYPE 5**

**ALTERNATE BOLTED FRAME**

SEPTEMBER 2001

STANDARD DRAWING NO. 720-KCA-02



*Anthony L. Brumack* 8-24-01  
DESIGN ENGINEER

*Frank Smith* 8-24-01  
DESIGN ENGINEER