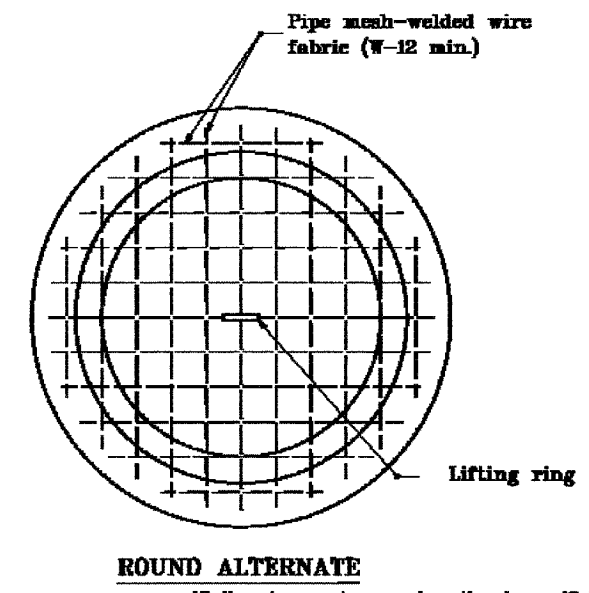
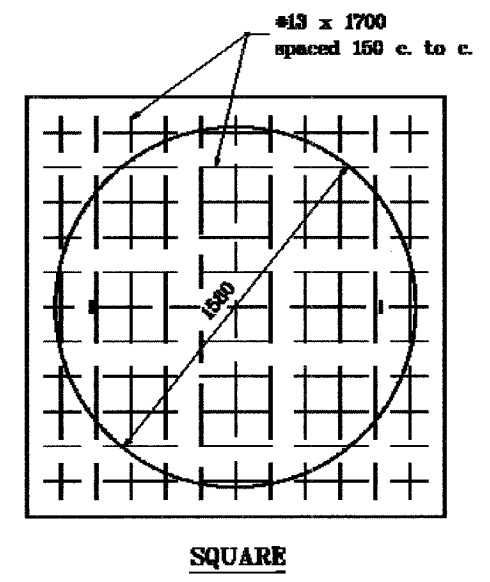
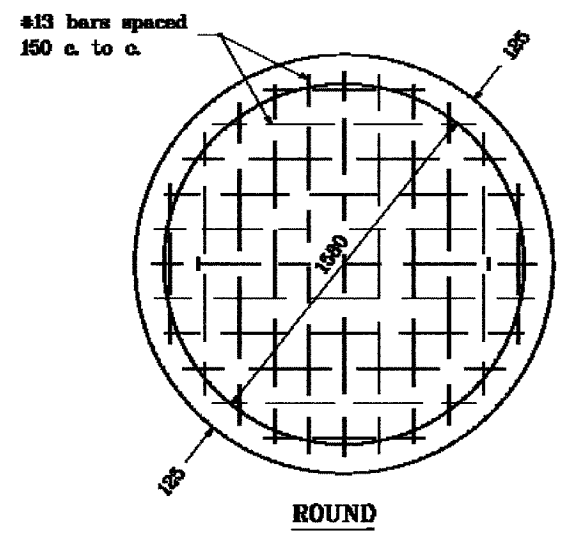
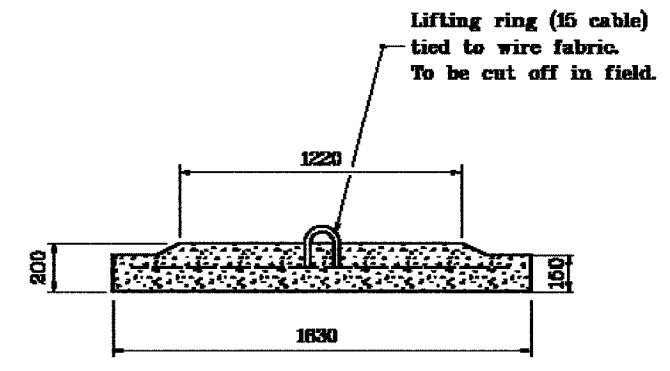
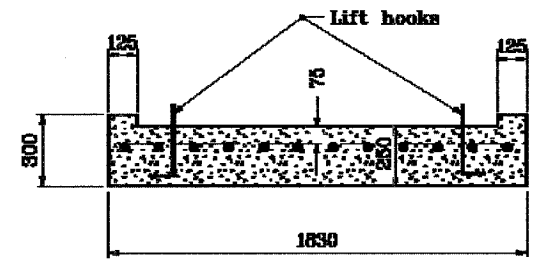
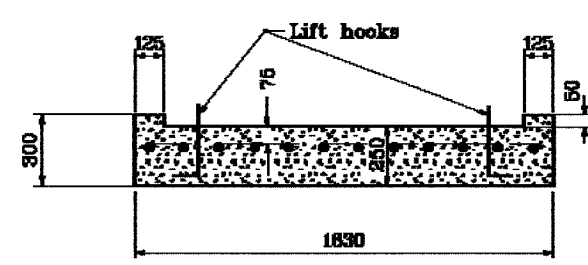


F.A.I. RTE.	SECTION	COUNTY	TOTAL SHEETS	SHEET NO.
80/94	2626.2-R-2	COOK/LAKE	1207	319
STA.	TO STA.			
FED. ROAD DIST. NO.	ILLINOIS	FED. AID PROJECT		
CONTRACT NO. 62114	INDOT DES. NO. 0100987			



All dimensions are in mm unless otherwise specified.

INDIANA DEPARTMENT OF TRANSPORTATION	
PRECAST MANHOLE	
BOTTOM SECTION	
SEPTEMBER 1997	
STANDARD DRAWING NO. 720-MHST-07	
	/s/ Anthony L. Urvanovitch 9-01-97 <small>REGISTERED PROFESSIONAL ENGINEER</small>
	/s/ Donald W. Evans 9-01-97 <small>REGISTERED PROFESSIONAL ENGINEER</small>

Source Sheet: MDS