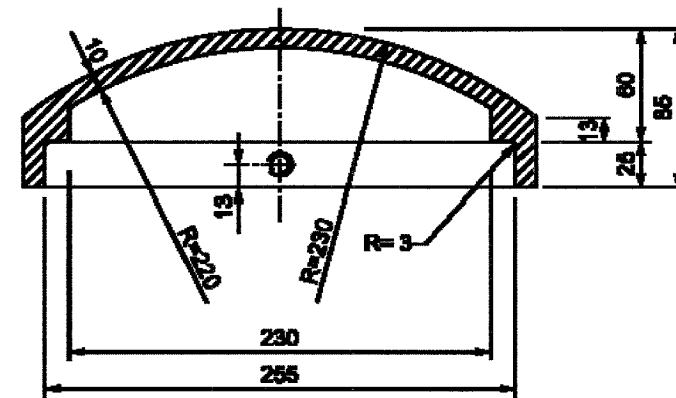


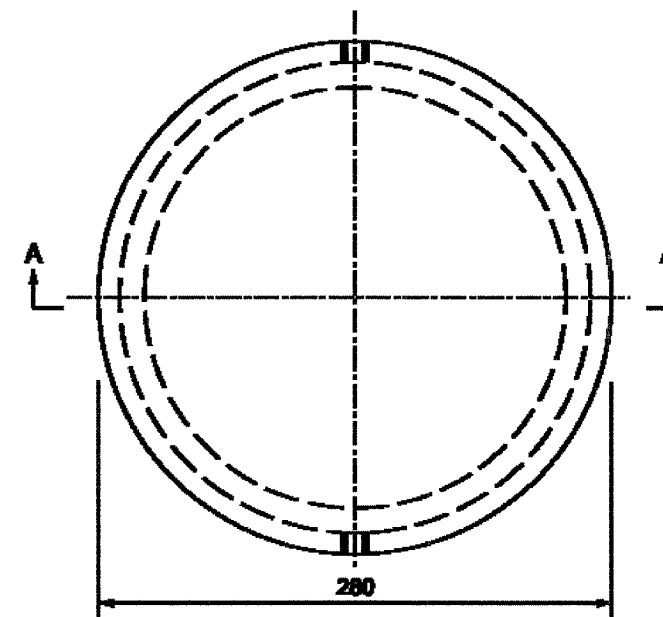
F.A.I. RTE.	SECTION	COUNTY	TOTAL SHEETS	SHEET NO.
80/94	2626.2-R-2	COOK/LAKE	1207	421
STA.	TO STA.			
FED. ROAD DIST. NO.	ILLINOIS	FED. AID PROJECT		
CONTRACT NO. 62114	INDOT DES. NO. 0100987			

GENERAL NOTES

1. Drill and tap two holes 180° apart for M12 stainless steel set screws.
2. Sand-cast aluminum alloy.



SECTION A-A



250 O.D. POLE TOP CASTING

All Dimensions are in mm unless otherwise specified

INDIANA DEPARTMENT OF TRANSPORTATION

**ALUMINUM STRUCTURE
POLE TOP CASTING**

MARCH 2003

STANDARD DRAWING NO. 802-SNOH-08

	<i>Prof. Richard L. Koetzle</i> 3-03-03 <small>DESIGN ENGINEER</small> <small>DATE</small>
	<i>Prof. Richard L. Koetzle</i> 3-03-03 <small>CHIEF ENGINEER</small> <small>DATE</small>