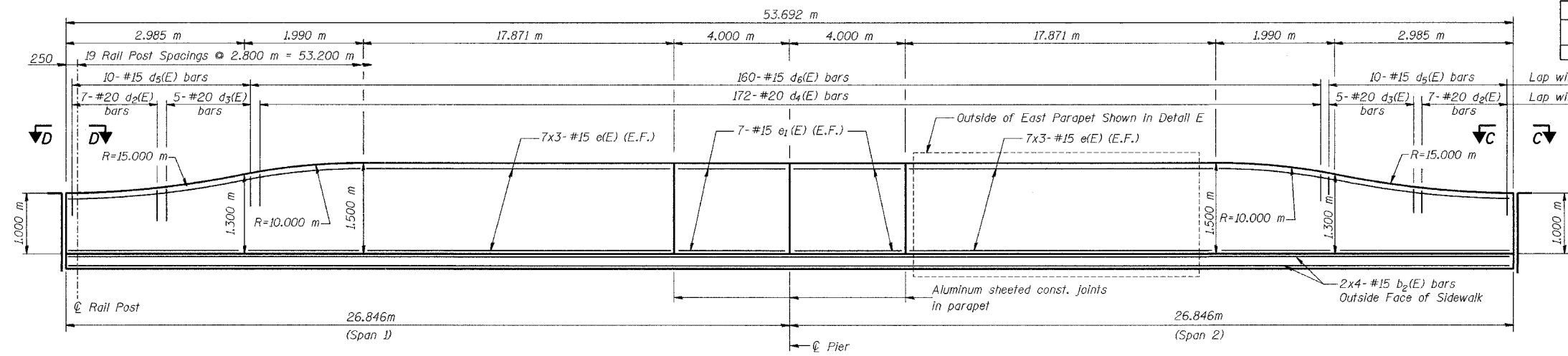
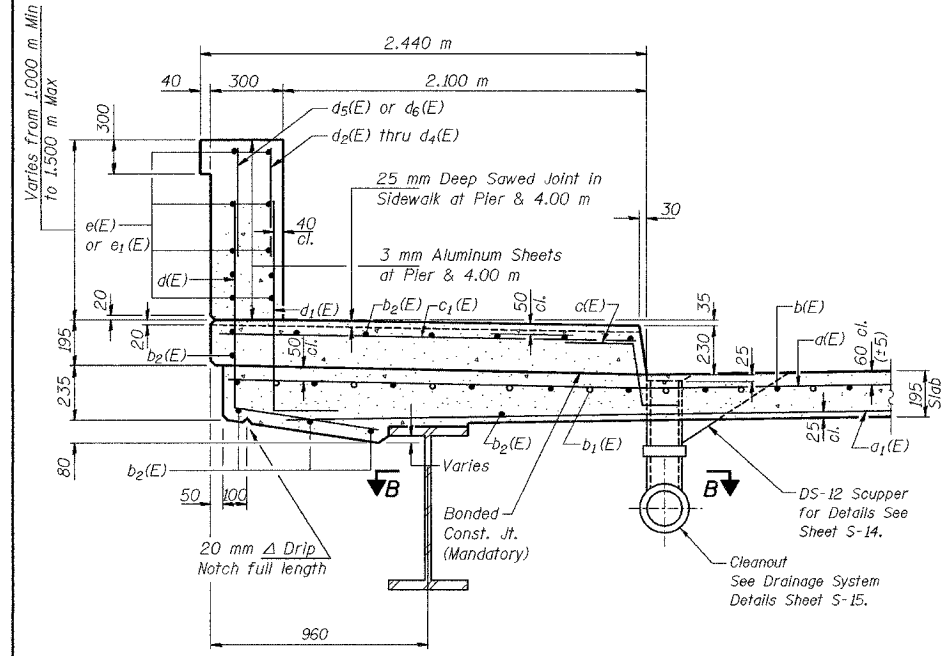


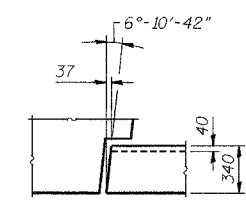
ROUTE NO.	SECTION	COUNTY	SHEETS	SHEET	SHEET NO. S-10 35 SHEETS
F.A.I. 80/94	DESIGN	COOK	1207	554	
CONTRACT No. 62114					



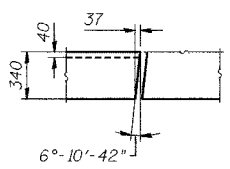
INSIDE ELEVATION OF PARAPET



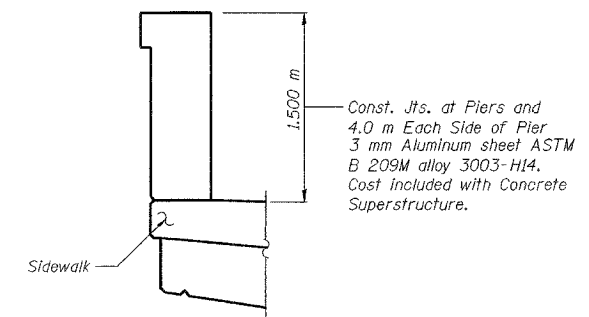
SECTION THRU SIDEWALK



SECTION D-D



SECTION C-C



PARAPET JOINT DETAILS

Notes:
The exterior surfaces of the floor drains shall be painted with the finish coat as specified in the special provisions for Cleaning and Painting New Metal Structures. The exterior surfaces of the drains shall be cleaned according to Steel Structures Painting Council's Spec. SSPC-SP1 prior to painting.
Fiberglass pipe shall conform to ASTM D 2996, with short-time rupture strength hoop tensile stress of 200 MPa minimum.

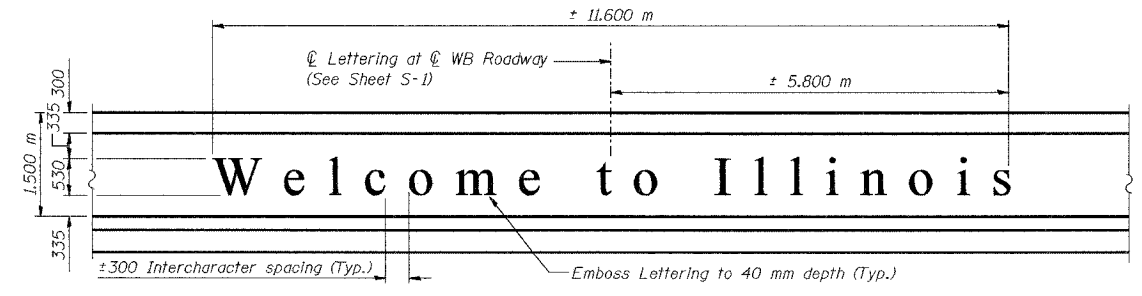
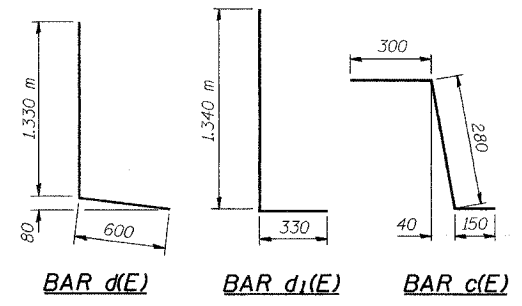
**SUPERSTRUCTURE
BILL OF MATERIAL**

Bar	No.	Size	Length (m)	Shape	
d(E)	654	#15	12.28	—	
d1(E)	476	#15	12.00	—	
d2(E)	8	#15	12.07	—	
d3(E)	16	#15	0.60	—	
d4(E)	360	#15	0.73	—	
d5(E)	360	#15	2.27	—	
d6(E)	360	#15	1.93	L	
d7(E)	360	#20	1.67	L	
d8(E)	28	#20	0.91	—	
d9(E)	20	#20	1.13	—	
d10(E)	344	#20	1.29	—	
d11(E)	40	#15	0.91	—	
d12(E)	320	#15	1.14	—	
e(E)	168	#15	8.04	—	
e1(E)	56	#15	3.90	—	
Reinforcement Bars, Epoxy Coated				kg	48,680
Concrete Superstructure				m ³	389.0
Bar Splicers				Each	585

NOTES:
Reinforcement bars designated (E) shall be epoxy coated.
Bars indicated thus 1 x 6-#15 etc. indicates 1 line of bars with 6 lengths per line.
All edges shall have standard 20 mm chamfers except as noted.
See Sheet S-15 for Section B-B
All dimensions are in millimeters (mm) except as noted.

LEGEND

E.F. = Each Face
MINIMUM BAR LAPS
#15 bars = 640



DETAIL E - OUTSIDE OF EAST PARAPET OVER WB I-80/94

The words "Welcome to Illinois" shall be embossed in the concrete parapets in the location and letter style shown in this detail. Cost included in "Concrete Superstructure". See Special Provision for "Parapet Lettering".

DESIGNED	BPS
CHECKED	JDG
DRAWN	MJB
CHECKED	JDG

ILLINOIS DEPARTMENT OF TRANSPORTATION
F.A.I. ROUTE 80/94 (KINGERY EXPRESSWAY)
UNDER WENTWORTH AVE
SUPERSTRUCTURE DETAILS
SECTION 2626.1B
COOK COUNTY
STATION 7+579.488
STRUCTURE NO. 016-2790
DATE 07/05
AMERICAN
CONSULTING ENGINEERS

FOR INFORMATION ONLY