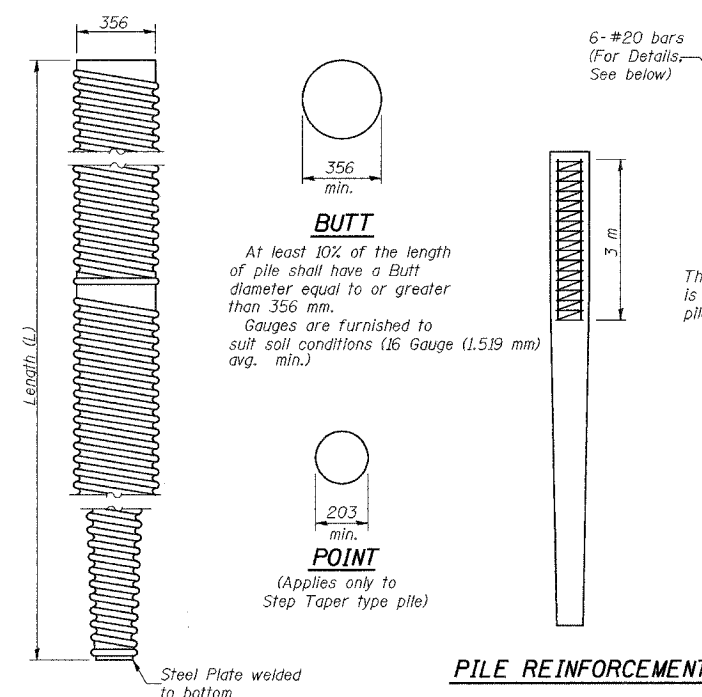
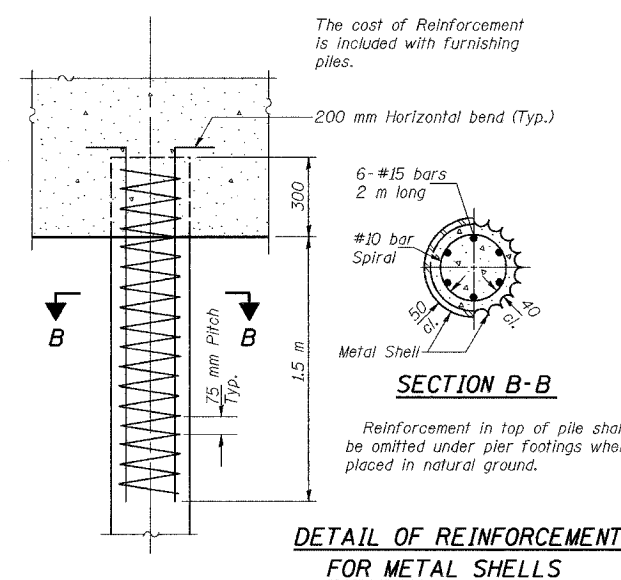
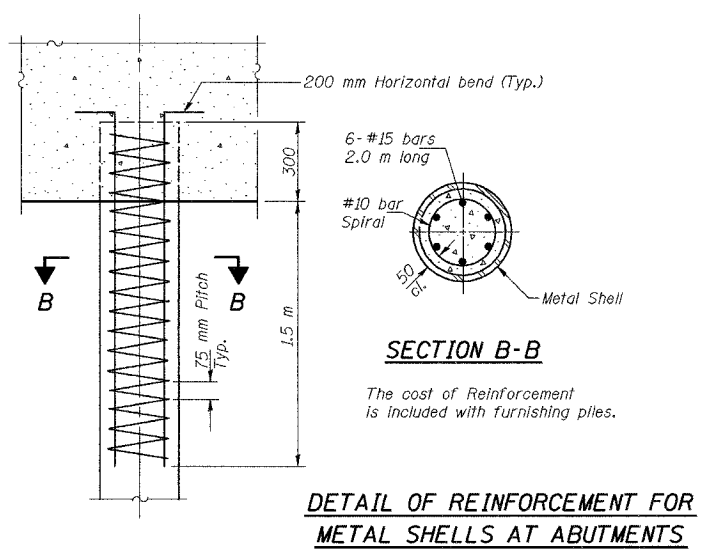
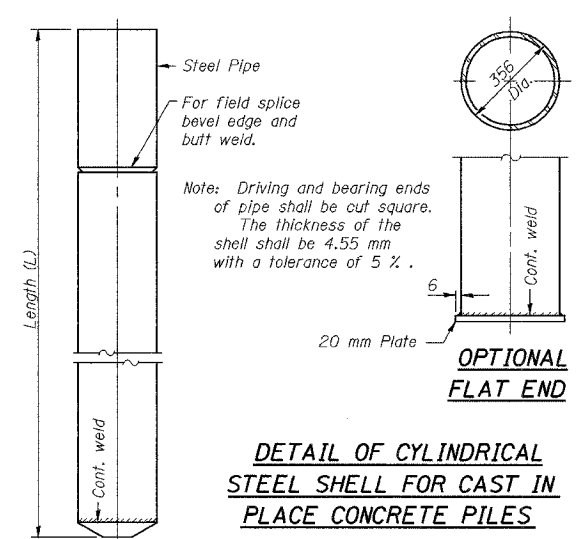


ROUTE NO.	SECTION	COUNTY	SHEET	SHEET	SHEET NO. S-31
F.A.I.	DEVELOP	COOK	1207	575	35 SHEETS
ILLINOIS FEDERAL PROJECT: C-11-223-01					CONTRACT No. 62114



**DETAIL OF MANDREL DRIVEN STRAIGHT OR STEP-TAPER PILES FOR CAST IN PLACE CONCRETE PILES**



DESIGNED	JDG
CHECKED	JDG
DRAWN	MJB
CHECKED	JDG

X-3 (M) 4-30-97 (All dimensions are in millimeters (mm) except as noted.)

ILLINOIS DEPARTMENT OF TRANSPORTATION  
 F.A.I. ROUTE 80/94 (KINGERY EXPRESSWAY)  
 UNDER WENTWORTH AVE  
**CONCRETE PILE DETAILS**  
 SECTION 2626.1B  
 COOK COUNTY  
 STATION 7+579.488  
 STRUCTURE NO. 016-2790  
 DATE 07/05

**AMERICAN**  
 CONSULTING ENGINEERS

FOR INFORMATION ONLY