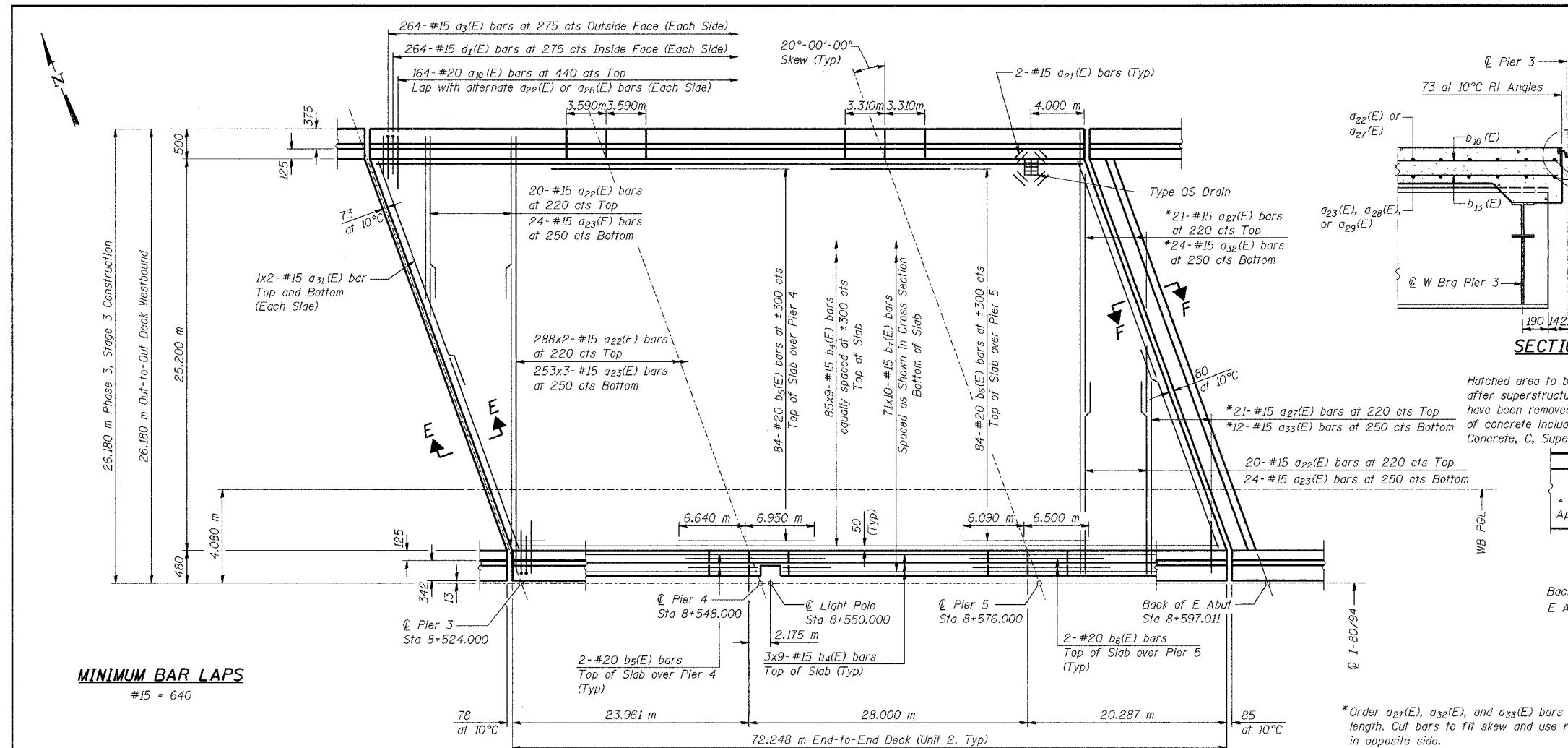
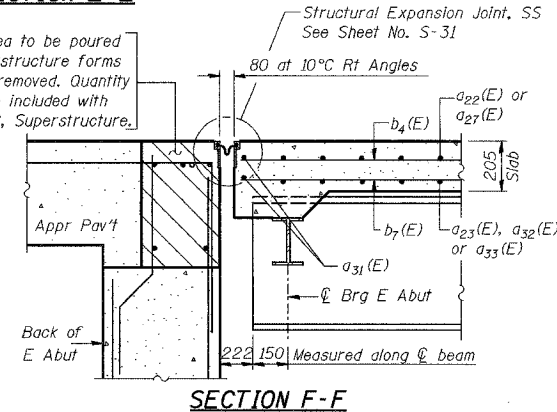
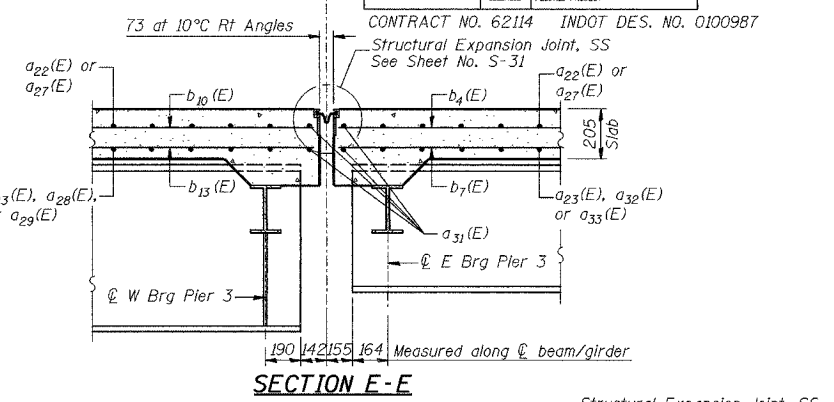


CONTRACT NO. 62114 INDOT DES. NO. 0100987
 STRUCTURAL EXPANSION JOINT, SS
 See Sheet No. S-31



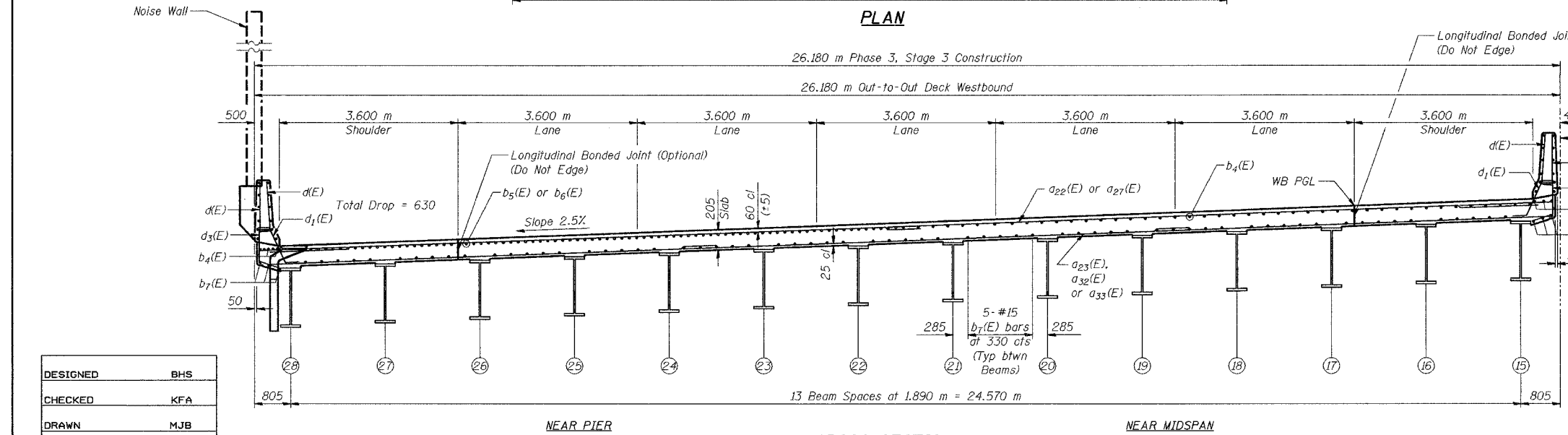
MINIMUM BAR LAPS
 #15 = 640



NOTES:

See Sheet No. S-28 for parapet reinforcement.
 See Sheet No. S-29 for parapet details.
 See Sheet No. S-30 for superstructure details, field cutting diagrams, and Bill of Material.
 Reinforcement bars designated (E) shall be epoxy coated.
 Bars indicated thus 20 x 3-#15 etc. indicates 20 lines of bars with 3 lengths per line.
 Apply Surface Seal to entire top surface of the bridge deck and parapets and the inside vertical faces of the parapets.
 Cut longitudinal reinforcement to clear drainage structures.
 All dimensions are in millimeters (mm) except as noted.

DESIGNED	BHS
CHECKED	KFA
DRAWN	MJB
CHECKED	GSP



KEY PLAN

ILLINOIS DEPARTMENT OF TRANSPORTATION
 F.A.L. ROUTE 80/94 (BORMAN EXPRESSWAY)
 OVER LITTLE CALUMET RIVER & N.I.C.T.D. R.O.W.

DECK PLAN - UNIT 2 WESTBOUND
 SECTION 2626.2-R-1
 LAKE COUNTY, INDIANA
 STATION 8+470.000
 STRUCTURE NO. I-80-1-8460 (EB & WB)
 DATE 07/05 (016-1003 & 016-1004)

AMERICAN
 CONSULTING ENGINEERS