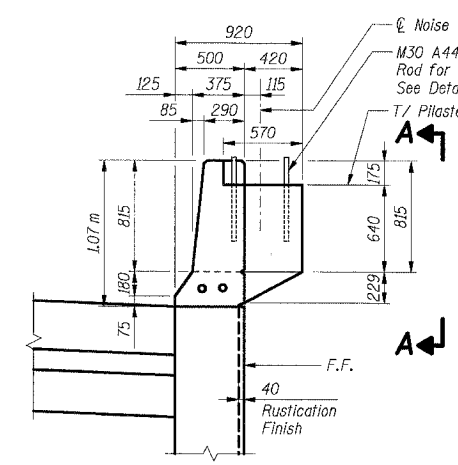
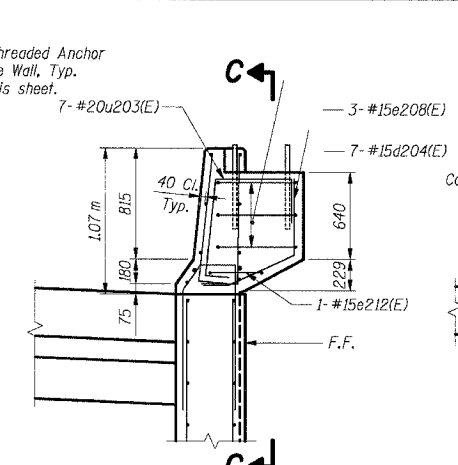


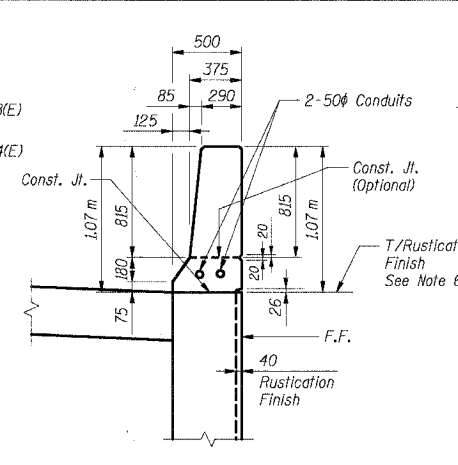
F.A.I. RTE.	SECTION	COUNTY	TOTAL SHEETS	SHEET NO.
80/94	2626.2-R-2	COOK	1207	755
STA.	TO STA.			
FED. ROAD DIST. NO.	ILLINOIS	FED. AID PROJECT		
CONTRACT NO. 62114				



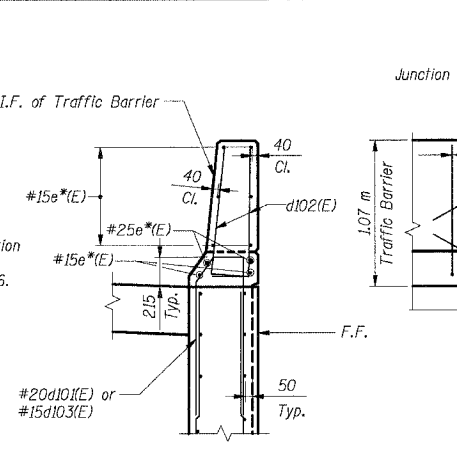
TRAFFIC BARRIER W/PILASTER



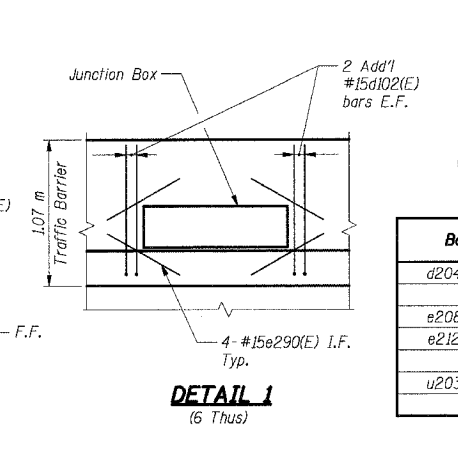
TRAFFIC BARRIER W/PILASTER (Showing Reinforcement)



TYPICAL TRAFFIC BARRIER SECTION



TYPICAL TRAFFIC BARRIER SECTION (Showing Reinforcement)



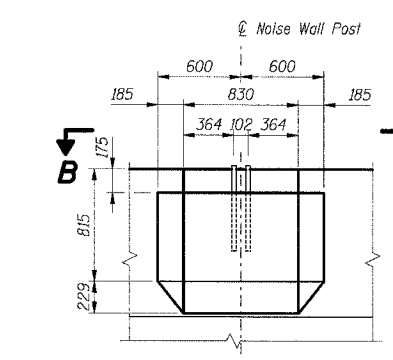
DETAIL 1 (6 Thus)

BAR LIST FOR EACH PILASTER (FOR INFORMATION ONLY)

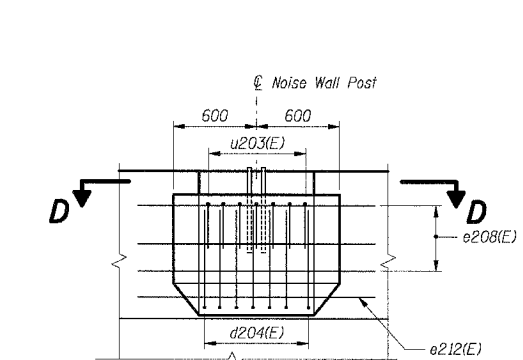
Bar	No.	Size	Length (m)	Shape
d204(E)	7	#15	1.30	U
e208(E)	3	#15	2.56	W
e212(E)	1	#15	2.20	W
u203(E)	7	#20	2.00	U

BILL OF MATERIAL

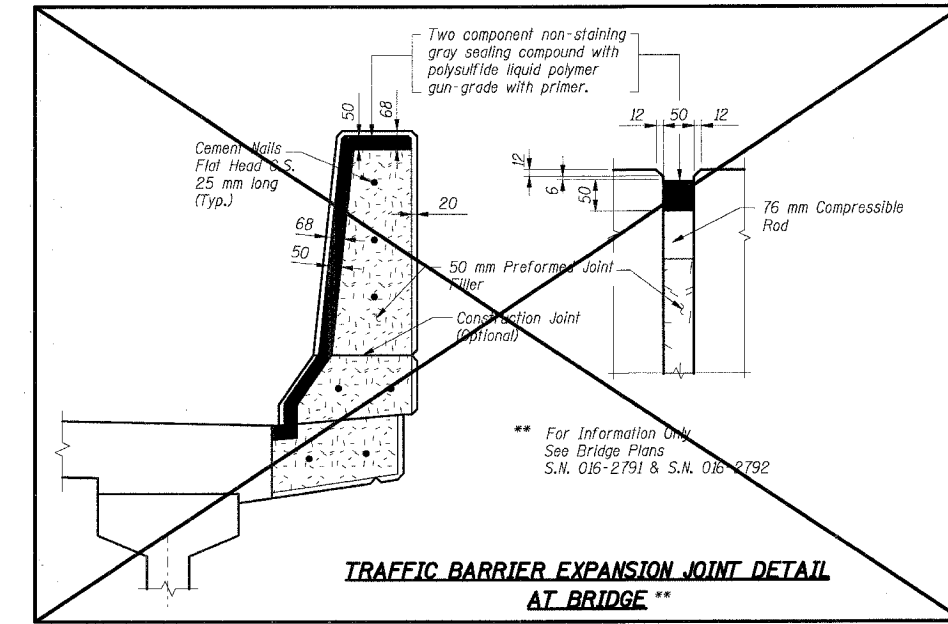
Item	Unit	Total
Noise Abatement Wall Anchor Rod Assembly	Ea	116



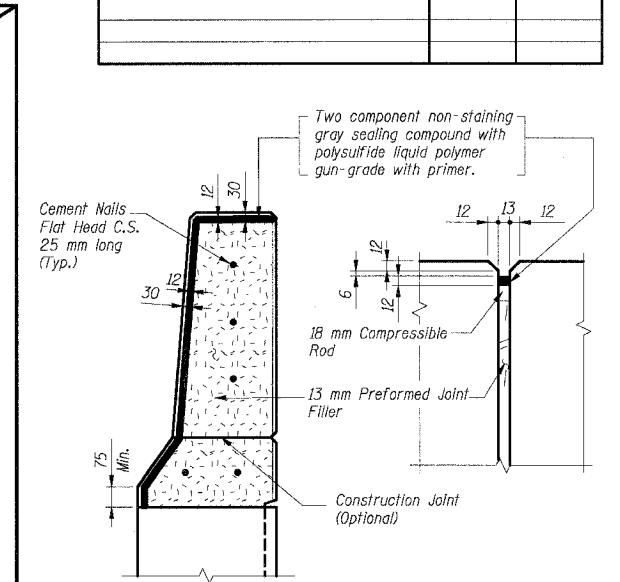
ELEVATION A-A



SECTION C-C

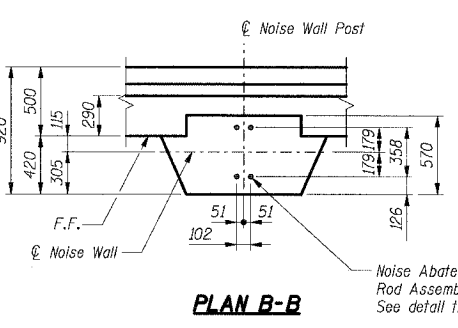


TRAFFIC BARRIER EXPANSION JOINT DETAIL AT BRIDGE**

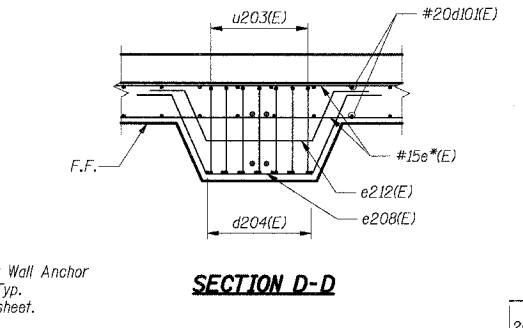


TYPICAL TRAFFIC BARRIER EXPANSION JOINT DETAIL

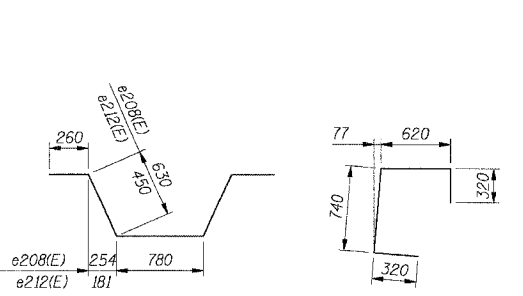
Cost of joint sealant, P.J.F. and cement nails are included with Concrete Structures.



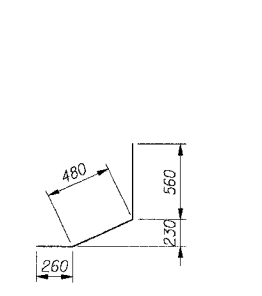
PLAN B-B



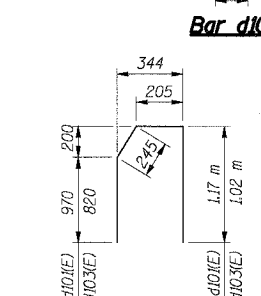
SECTION D-D



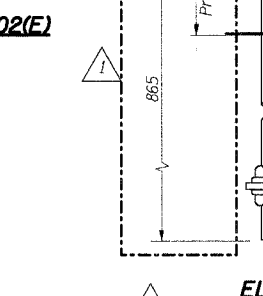
Bars e208(E) & e212(E)



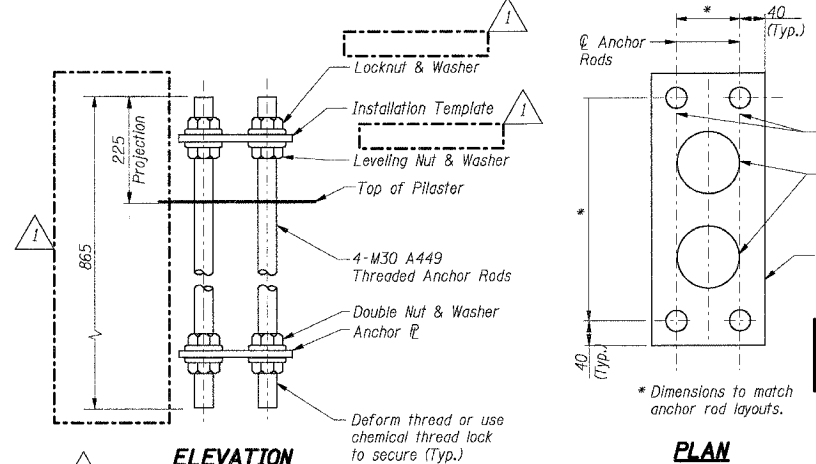
Bar u203(E)



Bar d204(E)



Bars d101(E) & d103(E)



NOISE ABATEMENT WALL ANCHOR ROD ASSEMBLY (116 Required)

THIS SHEET FOR INFORMATION ONLY

SHT. RW847-44 OF 54

REVISIONS	
NAME	DATE
MJK	5/25/04

ILLINOIS DEPARTMENT OF TRANSPORTATION
F.A.I. ROUTE 80/94 (KINGERY EXPRESSWAY)
LOCAL ROADS RECONSTRUCTION
RETAINING WALL - STRUCTURE NO. 016-W847
SECTIONS 2001-167R AND (2425 & 2626) R-1
COOK COUNTY

TRAFFIC BARRIER SECTIONS & DETAILS

DATE: 3/10/2004
DRAWN BY: PA
CHECKED BY: BK
TENGE & ASSOCIATES, INC.
ENGINEERS/ARCHITECTS/PLANNERS
CHICAGO, ILLINOIS

MORCOM, N.V., INC.
CONSULTING ENGINEERS
CHICAGO, ILLINOIS

7-1-2005, 1:53:55
 I:\DOCUMENTS\981760\STRUCT\CON\RSR1652A.DGN
 BALZEEKJ
 12 13 14 15 16 17 18 19 20 21 22 23 24 25 26 27 28 29 30 31 32 33 34 35 36 37 38 39 40 41 42 43 44 45 46 47 48 49 50 51 52 53 54 55 56 57 58 59 60 61 62 63