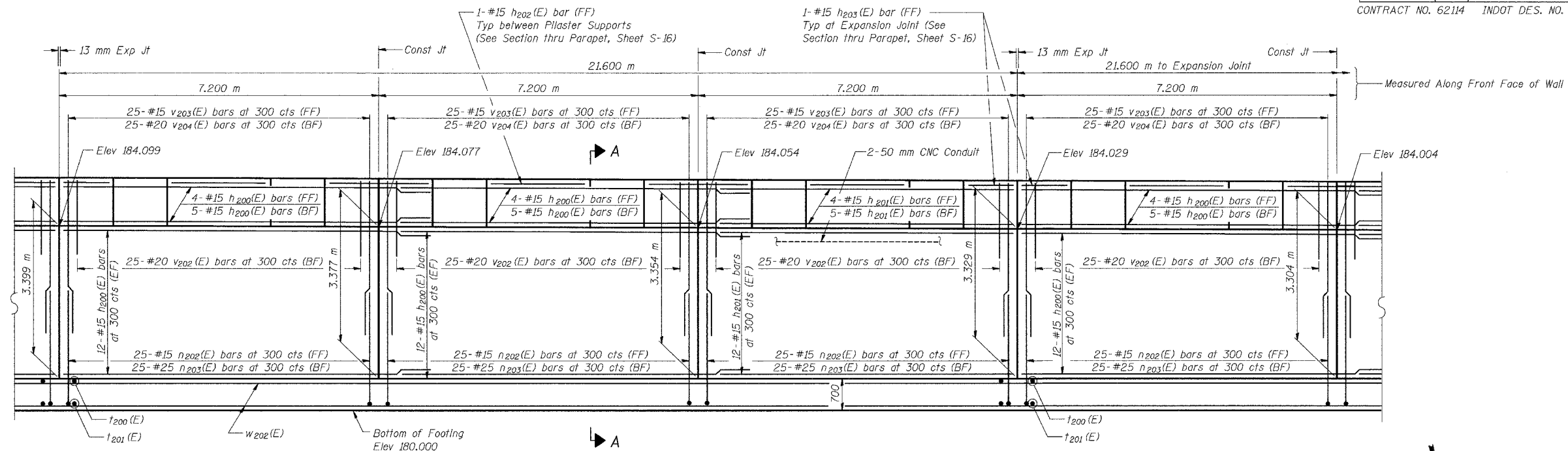
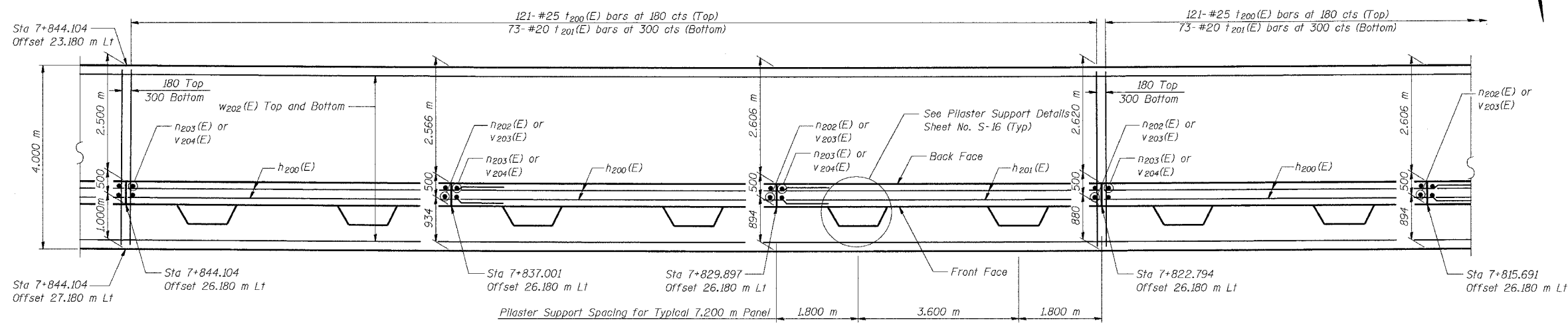


ROUTE NO.	SECTION	COUNTY	DATE	SHEET	SHEET NO. S-7
66-74	266.2-R-1	COOK	1207	827	20 SHEETS
DRAWN		CONTRACT NO. 62114 INDOT DES. NO. 0100987			



ELEVATION



FOOTING PLAN

NOTES:
 See Sheet S-16 for Section A-A, Expansion Joint Detail, and Bill of Material.
 See Sheet S-17 for Rustication details.
 Stations are referenced to ϕ I-80/94.
 Reinforcement bars designated (E) shall be epoxy coated.
 All dimensions are in millimeters (mm) except as noted.
 See Electrical Drawings for Junction Box and Conduit Details.

DESIGNED	MJW
CHECKED	KFA
DRAWN	MJB
CHECKED	GSP

MINIMUM BAR LAPS
 #15 bars = 640
 #20 bars = 790

LEGEND
 BF = Back Face
 FF = Front Face
 EF = Each Face

ILLINOIS DEPARTMENT OF TRANSPORTATION
 I-80/94/US 6
 KINGERY-BORMAN EXPRESSWAY
 BURNHAM ROAD TO US 41
PLAN AND ELEVATION (5 OF 13)
 SECTION 2626.2-R-1
 COOK COUNTY
 STATION 7+609.549 TO STATION 7+893.827
 STRUCTURE NO. 016-W856
 DATE 07/05
AMERICAN
 CONSULTING ENGINEERS

FOR INFORMATION ONLY