

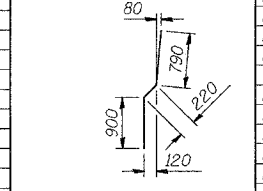
CONTRACT NO. 62114 INDOT DES. NO. 0100987

BILL OF MATERIAL - PHASE 2

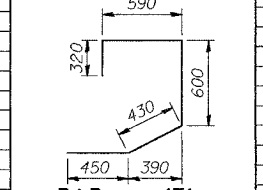
Bar	No.	Size	Length (m)	Shape
h240(E)	2	#15	1.35	
h241(E)	51	#15	8.81	
h242(E)	121	#15	7.10	
h243(E)	97	#15	7.84	
h244(E)	9	#15	2.30	
h245(E)	8	#15	1.10	
h246(E)	60	#20	2.86	
h247(E)	8	#20	0.90	
h248(E)	15	#15	2.11	
n240(E)	123	#15	2.49	
n241(E)	242	#20	2.55	
n242(E)	44	#15	2.89	
n243(E)	44	#25	3.03	
t240(E)	292	#20	3.60	
t241(E)	142	#25	4.80	
t242(E)	70	#20	4.80	
v240(E)	131	#15	3.44	
v241(E)	131	#20	2.44	
v242(E)	181	#20	1.91	
v243(E)	50	#15	3.25	
v244(E)	50	#20	2.33	
v245(E)	6	#25	3.88	
v246(E)	31	#20	0.87	
v247(E)	90	#20	2.39	
v248(E)	15	#20	3.12	
w240(E)	34	#15	2.13	
w241(E)	78	#15	10.00	
w242(E)	68	#15	4.72	
w243(E)	68	#15	2.40	
w244(E)	13	#15	2.93	
w245(E)	13	#15	2.34	
w246(E)	34	#15	4.48	
Structure Excavation	m ³		535.1	
Concrete Structures	m ³		269.0	
Protective Coat	m ²		92.7	
Reinforcement Bars, Epoxy Coated	kg		18,390	
Geocomposite Wall Drain	m ²		138	
Pipe Underdrains for Structures 150 mm	m		52.5	
Noise Abatement Wall Anchor Rod Assembly	Each		15	

Bar	No.	Size	Length (m)	Shape
h200(E)	790	#15	7.84	
h201(E)	464	#15	7.10	
h202(E)	60	#15	2.30	
h203(E)	29	#15	1.10	
h204(E)	31	#15	8.04	
h205(E)	4	#15	1.45	
h206(E)	3	#15	1.56	
h207(E)	31	#15	7.28	
h208(E)	220	#20	2.86	
h209(E)	4	#20	2.93	
h210(E)	108	#20	3.38	
h211(E)	16	#15	0.60	
v200(E)	201	#15	2.10	
v201(E)	232	#20	2.16	
v202(E)	475	#15	2.76	
v203(E)	475	#25	2.90	
v204(E)	326	#15	2.80	
v205(E)	391	#25	2.94	
t200(E)	1088	#25	3.90	
t201(E)	657	#20	3.90	
t202(E)	591	#25	4.30	
t203(E)	317	#20	4.30	
v200(E)	201	#15	3.51	
v201(E)	232	#20	2.59	
v202(E)	707	#20	1.91	
v203(E)	475	#15	3.39	
v204(E)	475	#20	2.47	
v205(E)	326	#15	3.47	
v206(E)	391	#20	3.62	
v207(E)	492	#20	2.39	
w202(E)	644	#15	9.11	
w203(E)	352	#15	9.16	
w206(E)	14	#15	3.49	
w207(E)	14	#15	3.12	
Structure Excavation	m ³		4,139	
Concrete Structures	m ³		1,547.6	
Protective Coat	m ²		470	
Reinforcement Bars, Epoxy Coated	kg		102,730	
Geocomposite Wall Drain	m ²		782	
Pipe Underdrains for Structures 150 mm	m		296.5	
Noise Abatement Wall Anchor Rod Assembly	Each		82	

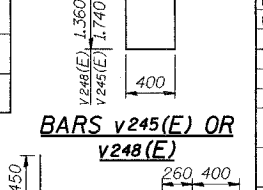
BARS n200(E) thru n205(E) or n240(E) thru n243(E)



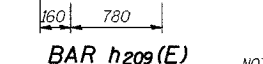
BARS v202(E) or v242(E)



BAR v207(E) or v247(E)



BARS v245(E) OR v248(E)



PHASE 2 BAR DIMENSIONS

Bar	A	B
n200(E)	1.84 m	260
n201(E)	1.84 m	320
n202(E)	2.50 m	260
n203(E)	2.50 m	400
n204(E)	2.54 m	260
n205(E)	2.54 m	400
w206(E)	1.56 m	2.21 m
w207(E)	1.56 m	-

PHASE 3 BAR DIMENSIONS

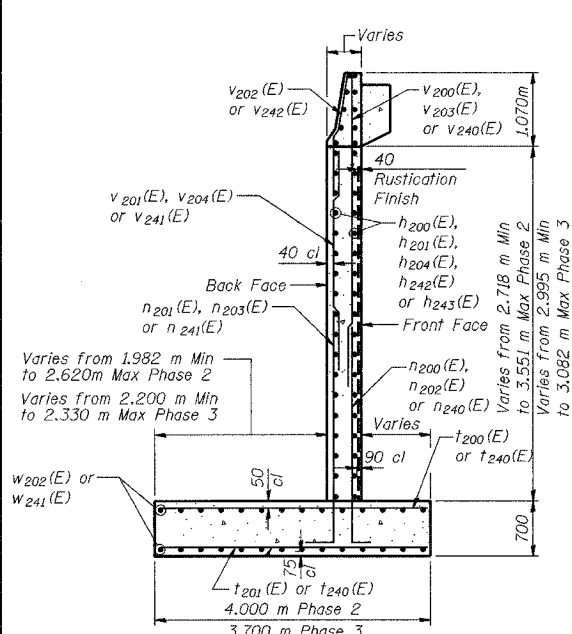
Bar	A	B
n240(E)	2.23 m	260
n241(E)	2.23 m	320
n242(E)	2.63 m	260
n243(E)	2.63 m	400
w244(E)	1.17 m	1.65 m
w245(E)	1.17 m	-

NOTES:
 See Sheet S-17 for Rustication details.
 Reinforcement bars designated (E) shall be epoxy coated.
 All dimensions are in millimeters (mm) except as noted.
 See Typical Section on Sheet S-2 for Drainage Details and Protective Coat Limits.

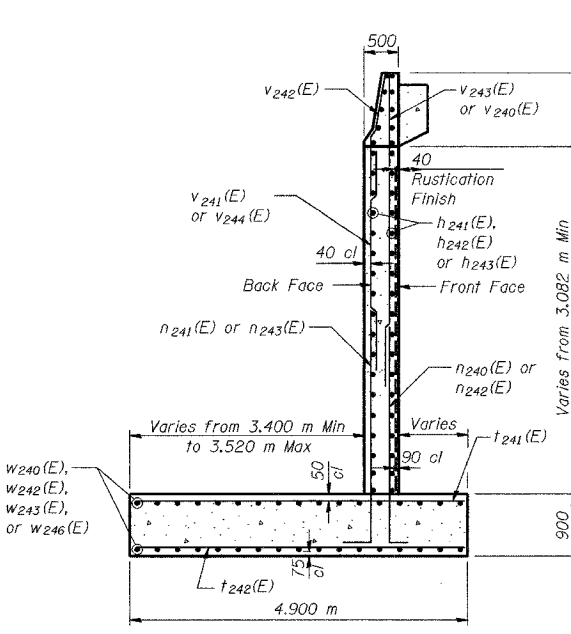
ILLINOIS DEPARTMENT OF TRANSPORTATION
 I-80/94/US 6
 KINGERY-BORMAN EXPRESSWAY
 BURNHAM ROAD TO US 41
WALL SECTIONS AND DETAILS
 SECTION 2626.2-R-1
 COOK COUNTY
 STATION 7+893.827 TO STATION 7+945.232
 STRUCTURE NO. 016-W856
 DATE 09/05
AMERICAN CONSULTING ENGINEERS

BILL OF MATERIAL - PHASE 3

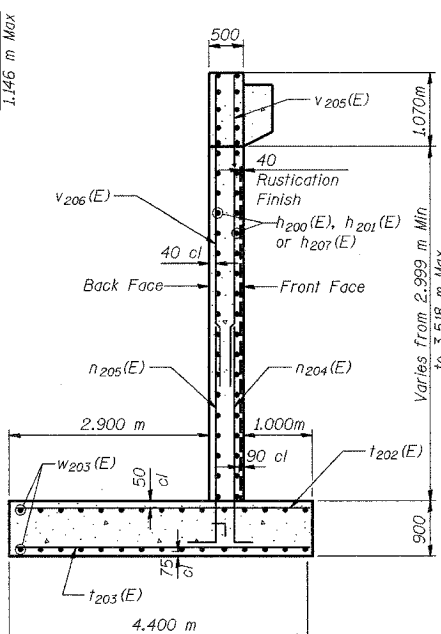
Bar	No.	Size	Length (m)	Shape
h240(E)	2	#15	1.35	
h241(E)	51	#15	8.81	
h242(E)	121	#15	7.10	
h243(E)	97	#15	7.84	
h244(E)	9	#15	2.30	
h245(E)	8	#15	1.10	
h246(E)	60	#20	2.86	
h247(E)	8	#20	0.90	
h248(E)	15	#15	2.11	
n240(E)	123	#15	2.49	
n241(E)	242	#20	2.55	
n242(E)	44	#15	2.89	
n243(E)	44	#25	3.03	
t240(E)	292	#20	3.60	
t241(E)	142	#25	4.80	
t242(E)	70	#20	4.80	
v240(E)	131	#15	3.44	
v241(E)	131	#20	2.44	
v242(E)	181	#20	1.91	
v243(E)	50	#15	3.25	
v244(E)	50	#20	2.33	
v245(E)	6	#25	3.88	
v246(E)	31	#20	0.87	
v247(E)	90	#20	2.39	
v248(E)	15	#20	3.12	
w240(E)	34	#15	2.13	
w241(E)	78	#15	10.00	
w242(E)	68	#15	4.72	
w243(E)	68	#15	2.40	
w244(E)	13	#15	2.93	
w245(E)	13	#15	2.34	
w246(E)	34	#15	4.48	
Structure Excavation	m ³		535.1	
Concrete Structures	m ³		269.0	
Protective Coat	m ²		92.7	
Reinforcement Bars, Epoxy Coated	kg		18,390	
Geocomposite Wall Drain	m ²		138	
Pipe Underdrains for Structures 150 mm	m		52.5	
Noise Abatement Wall Anchor Rod Assembly	Each		15	



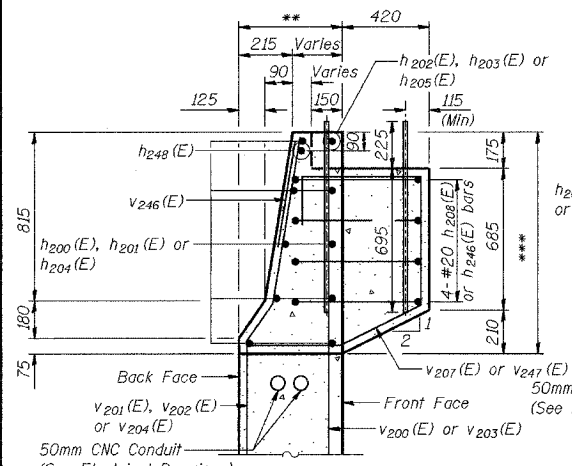
SECTION A-A



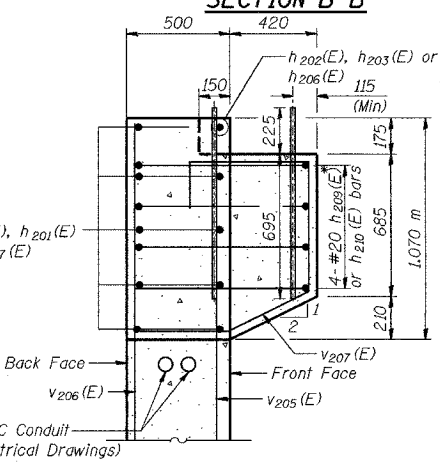
SECTION B-B



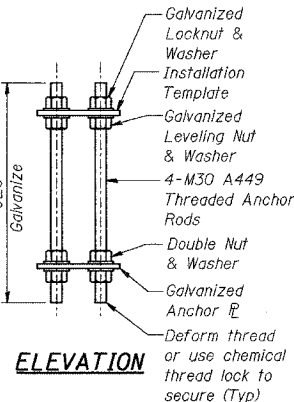
SECTION D-D



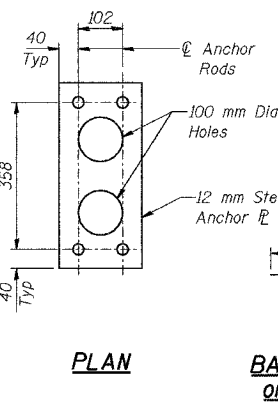
SECTION THRU PARAPET



SECTION THRU EXTENSION FOR GATEWAY

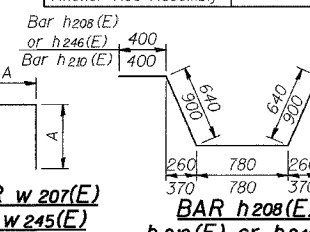


ELEVATION

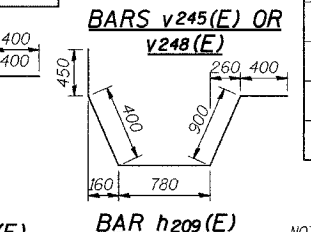


PLAN

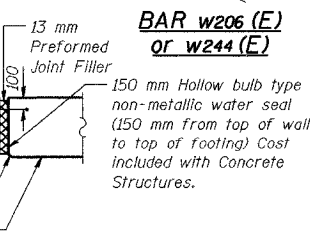
NOISE ABATEMENT WALL ANCHOR ROD ASSEMBLY
 (82 Req'd Phase 2)
 (15 Req'd Phase 3)



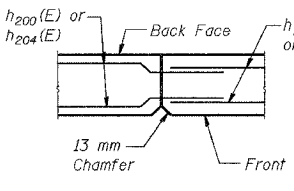
BAR w207(E) or w245(E)



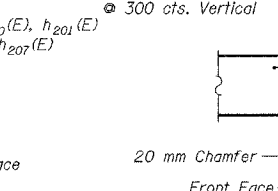
BAR h208(E), h210(E) or h246(E), BAR h209(E)



BAR w206(E) or w244(E)



CONSTRUCTION JOINT DETAIL



13 MM EXPANSION JOINT DETAIL

** Varies 1.018 m Max at Sta 7+701.848 to 500 Min at Sta 7+751.761.
 500 From Sta 7+751.761 to Sta 7+893.827
 *** Constant 1.070 m from Sta 7+701.848 to Sta 7+936.447
 Varies from 1.070 m at Sta 7+701.848 to 1.145 m at Sta 7+945.232

DESIGNED	KFA
CHECKED	BPS
DRAWN	MJB
CHECKED	GSP

PILASTER SUPPORT - PLAN VIEW
 (82 Locations Phase 2)
 (15 Locations Phase 3)