

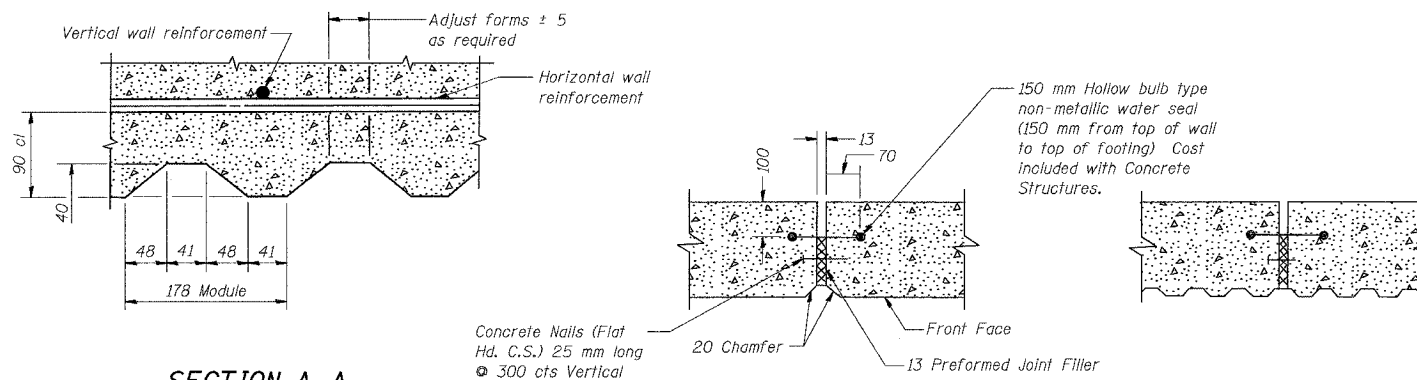
FRONT FACE ELEVATION-TYPICAL ARCHITECTURAL FINISH

**PHASE 3
RUSTICATION LIMITS**

STATION	TOP OF WALL ELEVATION	BOTTOM OF RUSTICATION ELEVATION
7+893.827	184.251	181.200
7+900.930	184.273	181.200
7+908.034	184.295	181.200
7+908.034	184.295	181.600
7+915.137	184.317	181.600
7+922.240	184.338	181.600
7+929.344	184.360	181.600
7+936.477	184.382	181.600
7+945.232	184.409	181.600

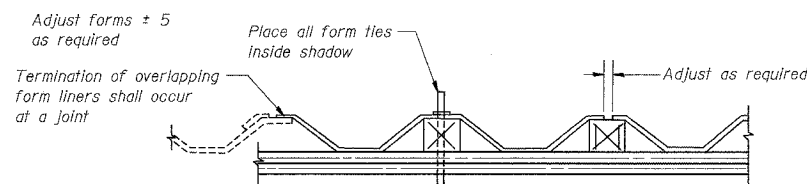
**PHASE 2
RUSTICATION LIMITS**

STATION	TOP OF WALL ELEVATION	BOTTOM OF RUSTICATION ELEVATION
7+609.549	182.899	180.500
7+616.796	182.925	180.500
7+623.869	182.956	180.500
7+630.945	182.993	180.500
7+638.024	183.034	180.500
7+645.107	183.077	180.500
7+652.192	183.119	180.500
7+659.279	183.162	180.500
7+666.369	183.205	180.500
7+673.461	183.247	180.500
7+680.556	183.290	180.500
7+687.652	183.333	180.500
7+694.749	183.375	180.500
7+701.848	183.418	180.500
7+701.848	183.418	181.300
7+708.948	183.461	181.300
7+716.049	183.503	181.300
7+723.151	183.546	181.300
7+730.254	183.589	181.300
7+737.357	183.631	181.300
7+744.460	183.671	181.300
7+751.761	183.712	181.300
7+758.864	183.749	181.300
7+765.967	183.786	181.300
7+773.071	183.821	181.300
7+780.174	183.855	181.300
7+787.277	183.887	181.300
7+794.381	183.918	181.300
7+801.484	183.948	181.300
7+808.587	183.977	181.300
7+815.691	184.004	181.300
7+822.794	184.029	181.300
7+829.897	184.054	181.300
7+837.001	184.077	181.300
7+844.104	184.099	181.300
7+851.207	184.121	181.300
7+858.311	184.142	181.300
7+865.414	184.164	181.300
7+872.517	184.186	181.300
7+879.621	184.208	181.300
7+886.724	184.229	181.300
7+893.827	184.251	181.300

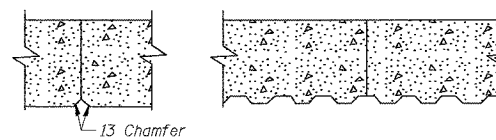


SECTION A-A

EXPANSION JOINT DETAIL



SUGGESTED FORMWORK DETAIL



CONSTRUCTION JOINT DETAIL

DESIGNED	KFA
CHECKED	BPS
DRAWN	MJB
CHECKED	GSP

BILL OF MATERIAL

Item	Unit	Phase 2	Phase 3
		Total	Total
Rustication Finish	m ²	753	148

Note: All dimensions are in millimeters (mm) unless otherwise noted.

ILLINOIS DEPARTMENT OF TRANSPORTATION
I-80/94/US 6
KINGERY-BORNMAN EXPRESSWAY
BURNHAM ROAD TO US 41

RUSTICATION FINISH DETAILS
SECTION 2626.2-R-1
COOK COUNTY
STATION 7+893.827 TO STATION 7+945.232
STRUCTURE NO. 016-W856
DATE 09/05

AMERICAN
CONSULTING ENGINEERS