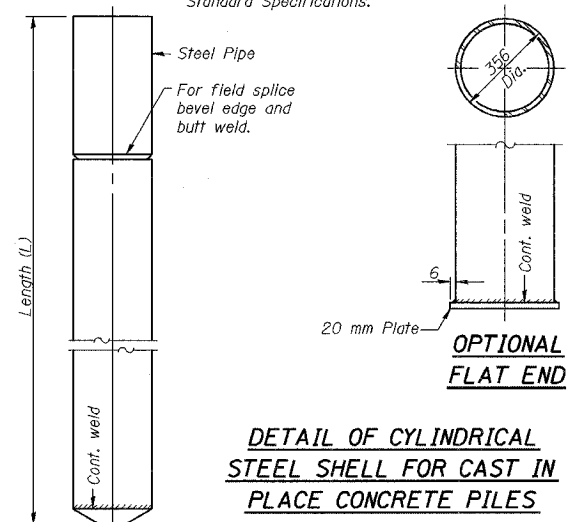


ROUTE NO.	SECTION	COUNTY	SHEETS	SHEET NO.	SHEET NO. S-14
F.A.S. 08/74	2626.2-R-1	LAKE COUNTY, INDIANA	1207	854	20 SHEETS
ILLINOIS		FED. AID PROJECT			

CONTRACT NO. 62114 INDOT DES. NO. 0100987

Notes: Driving and bearing ends of pipe shall be cut square. The thickness of the shell shall be 6.35 mm with a tolerance of 5%. The shell shall be according to Article 1006.05(a) of the Standard Specifications.



DETAIL OF CYLINDRICAL STEEL SHELL FOR CAST IN PLACE CONCRETE PILES

DESIGNED	MJW
CHECKED	KFA
DRAWN	MJB
CHECKED	GSP

X-PB (M) 4-30-97 (All dimensions are in millimeters (mm) except as noted.)

ILLINOIS DEPARTMENT OF TRANSPORTATION
 I-80/94/US 6
 KINGERY-BORMAN EXPRESSWAY
 BURNHAM ROAD TO US 41

CONCRETE PILE DETAILS
 SECTION 2626.2-R-1
 LAKE COUNTY, INDIANA
 STATION 8+268.572 TO STATION 8+445.954
 STRUCTURE NO. 016-W857

DATE 07/05

AMERICAN
 CONSULTING ENGINEERS