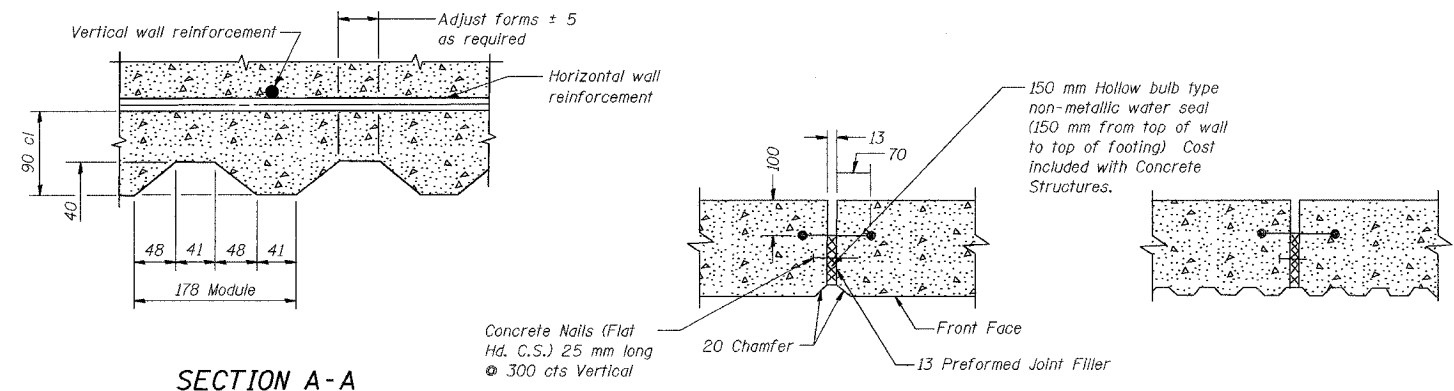
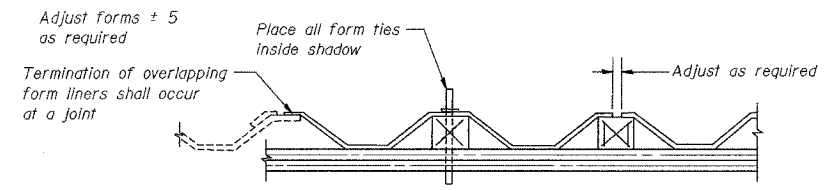


FRONT FACE ELEVATION-TYPICAL ARCHITECTURAL FINISH



SECTION A-A

EXPANSION JOINT DETAIL



SUGGESTED FORMWORK DETAIL

CONSTRUCTION JOINT DETAIL

RUSTICATION LIMITS

STATION	TOP OF WALL ELEVATION	BOTTOM OF RUSTICATION ELEVATION
8+581.326	188.650	188.300
8+585.026	190.248	188.300
8+587.026	190.248	188.300
8+587.026	191.568	187.800
8+591.676	191.531	187.800
8+596.327	191.485	187.800
8+603.527	191.411	187.800
8+603.527	191.411	187.400
8+610.827	191.330	187.400
8+618.130	191.234	187.400
8+625.433	191.092	187.400
8+625.433	191.092	187.100
8+632.735	190.969	187.100
8+640.038	190.876	187.100
8+647.340	190.779	187.100
8+647.340	190.779	186.700
8+654.643	190.676	186.700
8+661.945	190.568	186.700
8+669.248	190.455	186.700
8+669.248	190.455	186.000
8+676.550	190.336	186.000
8+683.853	190.212	186.000
8+691.155	190.082	186.000
8+698.458	189.954	186.000
8+705.760	189.824	186.000
8+713.063	189.688	186.000
8+720.365	189.547	186.000
8+728.992	189.362	186.000
8+728.992	187.662	185.700
8+730.817	187.662	185.700
8+733.961	186.050	185.700

DESIGNED	KFA
CHECKED	BPS
DRAWN	MJB
CHECKED	GSP

BILL OF MATERIAL

Item	Unit	Total
Rustication Finish	m ²	559

Note: All dimensions are in millimeters (mm) unless otherwise noted.

ILLINOIS DEPARTMENT OF TRANSPORTATION
I-80/94/US 6
KINGERY-BORMAN EXPRESSWAY
BURNHAM ROAD TO US 41

RUSTICATION FINISH DETAILS
SECTION 2626.2-R-2
LAKE COUNTY, INDIANA
STATION 8+581.326 TO STATION 8+733.961
STRUCTURE NO. 016-W860

DATE 09/05

AMERICAN
CONSULTING ENGINEERS