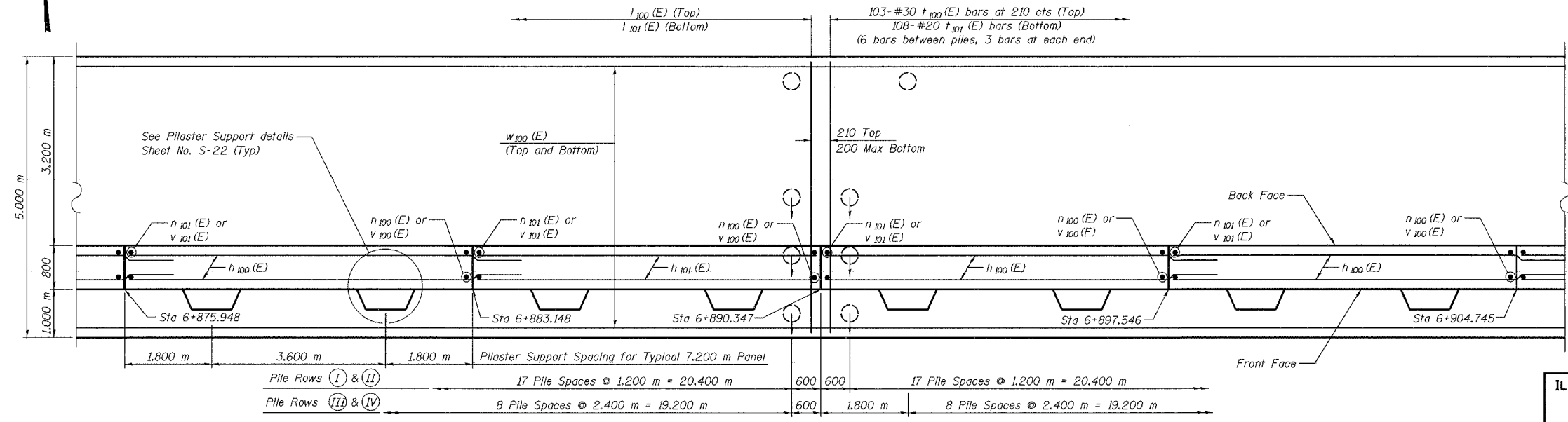


ELEVATION



FOOTING PLAN

NOTES:

- See Sheet S-22 for Section A-A, Pilaster Support details, and Bill of Material.
- See Sheet S-23 for Rustication details and Expansion Joint Detail.
- Stations are referenced to \odot I-80/94.
- Reinforcement bars designated (E) shall be epoxy coated.
- All dimensions are in millimeters (mm) except as noted.
- See Electrical Drawings for Junction Box and Conduit Details.

DESIGNED	BHS
CHECKED	KFA
DRAWN	MJB
CHECKED	GSP

MINIMUM BAR LAPS

- #15 bars = 640
- #20 bars = 790
- #25 bars = 1320

LEGEND

- BF = Back Face
- FF = Front Face
- EF = Each Face

ILLINOIS DEPARTMENT OF TRANSPORTATION
 F.A.I. ROUTE 80/94 AND U.S. ROUTE 6
 LOCAL ROAD RECONSTRUCTION

PLAN AND ELEVATION (2 OF 19)
SECTION 2001-167R
COOK COUNTY
STATION 6+850.000 TO STATION 7+400.281
STRUCTURE NO. 016-W873
 DATE 07/05

AMERICAN
 CONSULTING ENGINEERS

FOR INFORMATION ONLY