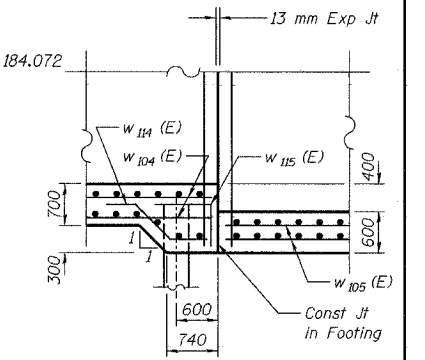
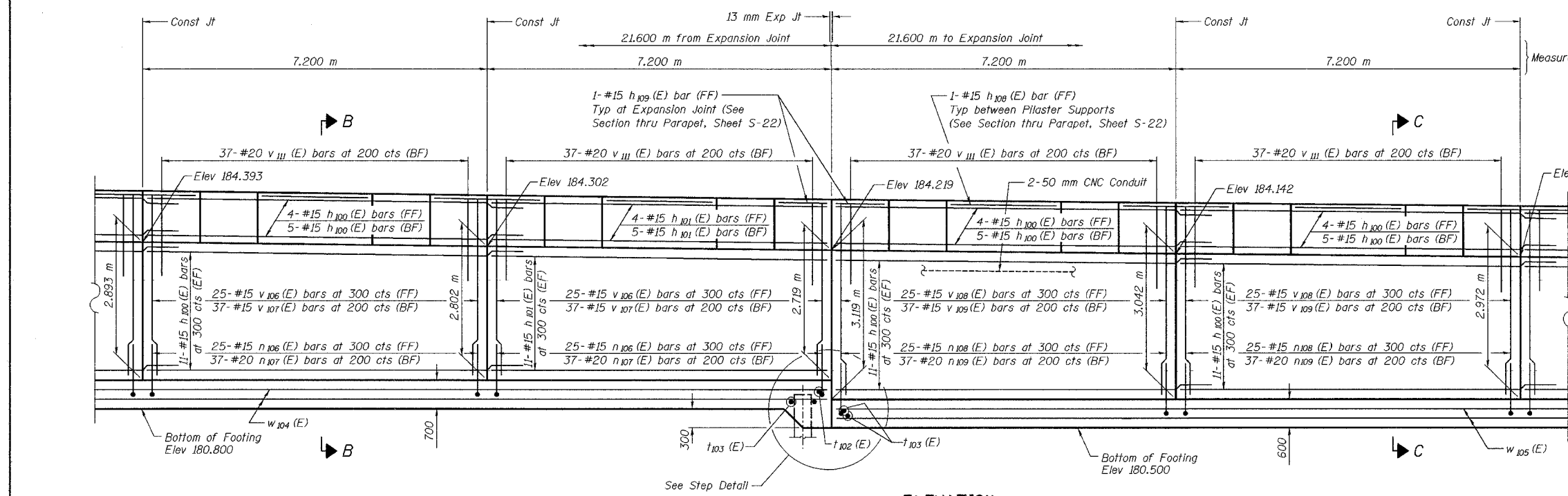
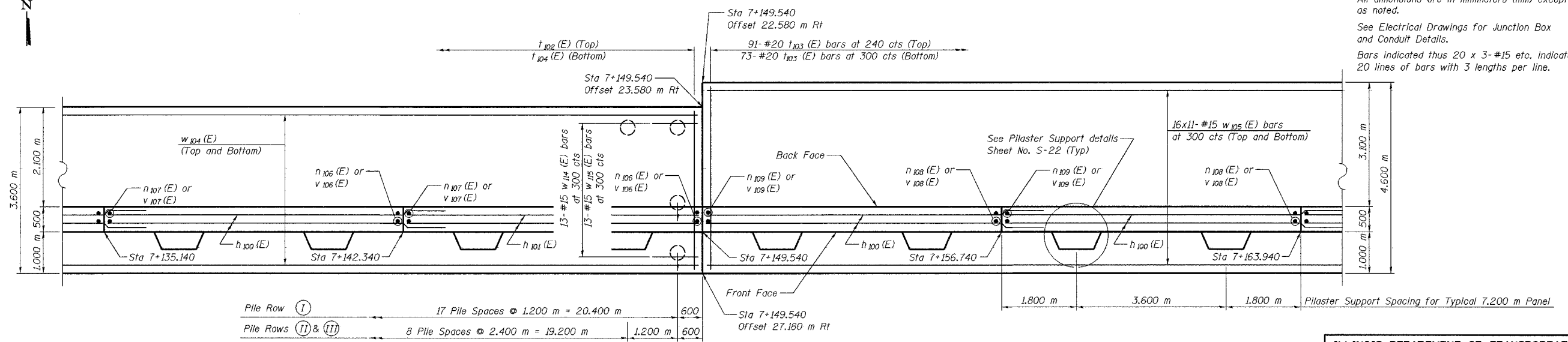


ROUTE NO.	SECTION	COUNTY	SHEET	PROJECT	SHEET NO. S-13
F.A.L. 80/94	2001-167R	COOK COUNTY	1207	958	37 SHEETS
ILLINOIS	FED. AID PROJECT-	C-74-431-44	CONTRACT No. 62114		



NOTES:
 See Sheet S-22 for Section B-B, Section C-C, Pilaster Support details, and Bill of Material.
 See Sheet S-23 for Rustication details and Expansion Joint Detail.
 Stations are referenced to $\text{C} \cdot 1-80/94$.
 Reinforcement bars designated (E) shall be epoxy coated.
 All dimensions are in millimeters (mm) except as noted.
 See Electrical Drawings for Junction Box and Conduit Details.
 Bars indicated thus 20 x 3-#15 etc. indicates 20 lines of bars with 3 lengths per line.



DESIGNED	BHS
CHECKED	KFA
DRAWN	MJB
CHECKED	GSP

MINIMUM BAR LAPS
 #15 bars = 640
 #20 bars = 790
 #25 bars = 1320

LEGEND
 BF = Back Face
 FF = Front Face
 EF = Each Face

ILLINOIS DEPARTMENT OF TRANSPORTATION
 F.A.L. ROUTE 80/94 AND U.S. ROUTE 6
 LOCAL ROAD RECONSTRUCTION
 PLAN AND ELEVATION (11 OF 19)
 SECTION 2001-167R
 COOK COUNTY
 STATION 6+850.000 TO STATION 7+400.281
 STRUCTURE NO. 016-W873
 DATE 07/05
AMERICAN
 CONSULTING ENGINEERS

FOR INFORMATION ONLY