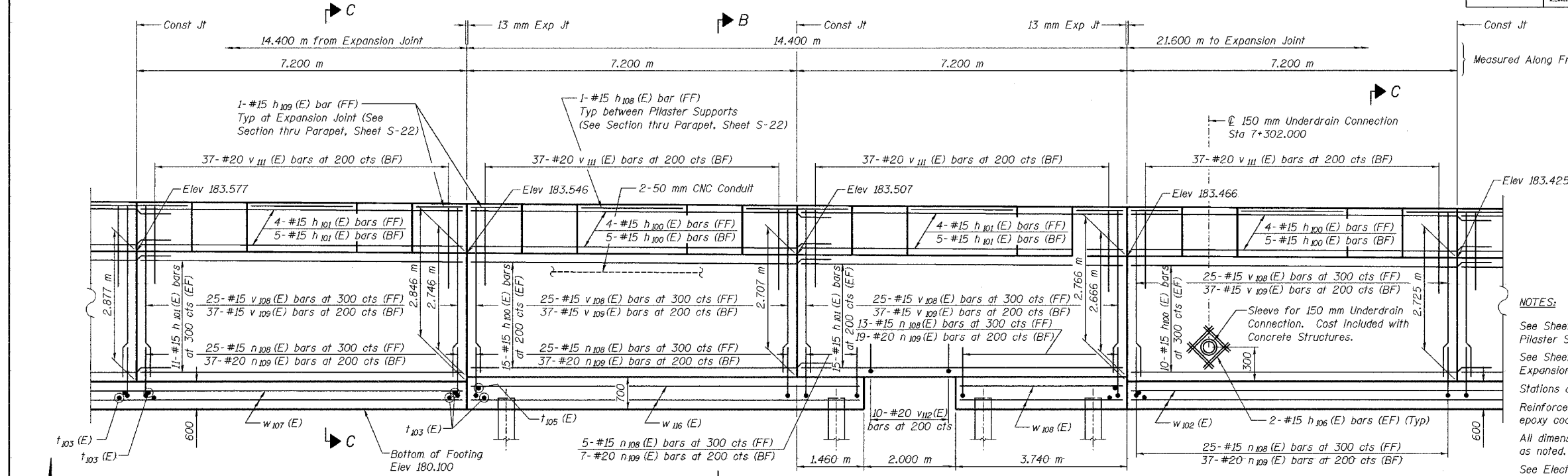
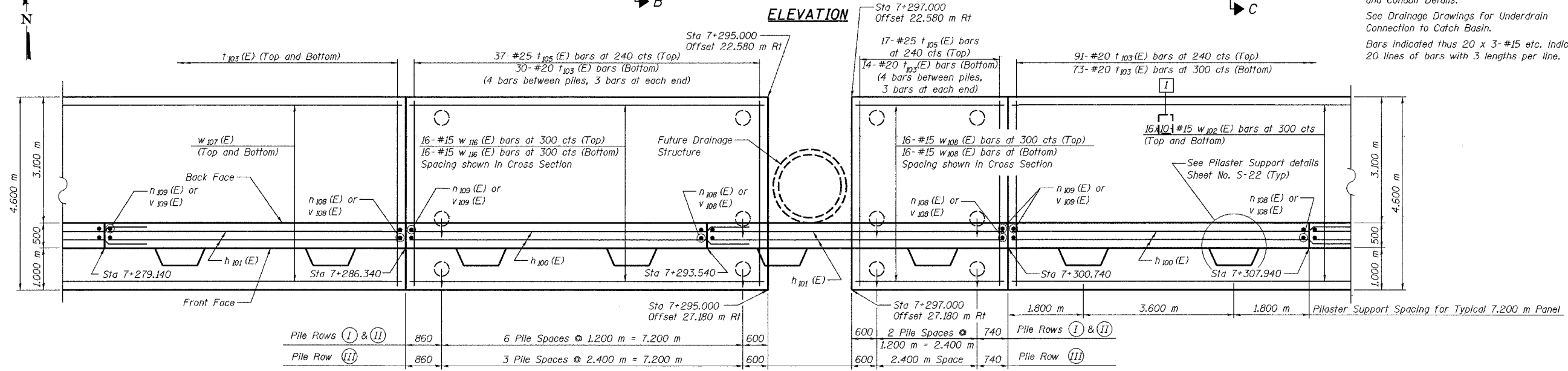


ROUTE NO.	SECTION	COUNTY	SHEET NO.	SHEET TOTAL
F.A.L. 80-94	2001-167R	COOK COUNTY	1207	963
CONTRACT No. 62114				

SHEET NO. S-18
37 SHEETS



NOTES:
See Sheet S-22 for Section B-B, Section C-C, Pilaster Support details, and Bill of Material.
See Sheet S-23 for Rustication details and Expansion Joint Detail.
Stations are referenced to \odot I-80/94.
Reinforcement bars designated (E) shall be epoxy coated.
All dimensions are in millimeters (mm) except as noted.
See Electrical Drawings for Junction Box and Conduit Details.
See Drainage Drawings for Underdrain Connection to Catch Basin.
Bars indicated thus 20 x 3-#15 etc. indicates 20 lines of bars with 3 lengths per line.



FOOTING PLAN

DESIGNED	BHS
CHECKED	KFA
DRAWN	MJB
CHECKED	GSP

MINIMUM BAR LAPS
#15 bars = 640
#20 bars = 790
#25 bars = 1320

LEGEND
BF = Back Face
FF = Front Face
EF = Each Face

REVISED 06-21-04 KFA

ILLINOIS DEPARTMENT OF TRANSPORTATION
F.A.L. ROUTE 80/94 AND U.S. ROUTE 6
LOCAL ROAD RECONSTRUCTION

PLAN AND ELEVATION (16 OF 19)
SECTION 2001-167R
COOK COUNTY
STATION 6+850.000 to STATION 7+400.281
STRUCTURE NO. 016-W873

DATE 07/05

AMERICAN
CONSULTING ENGINEERS

FOR INFORMATION ONLY