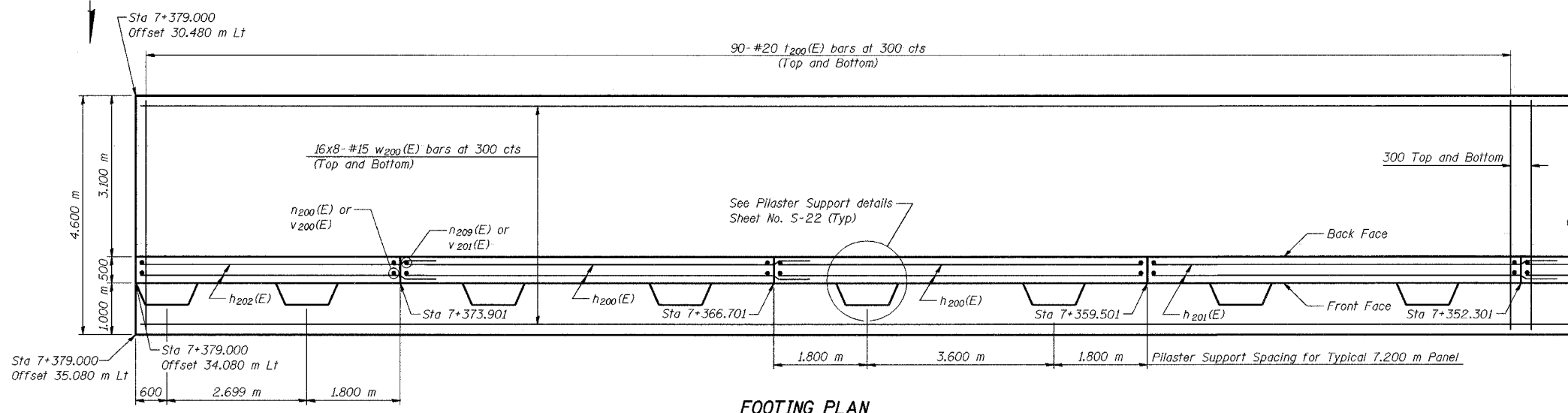
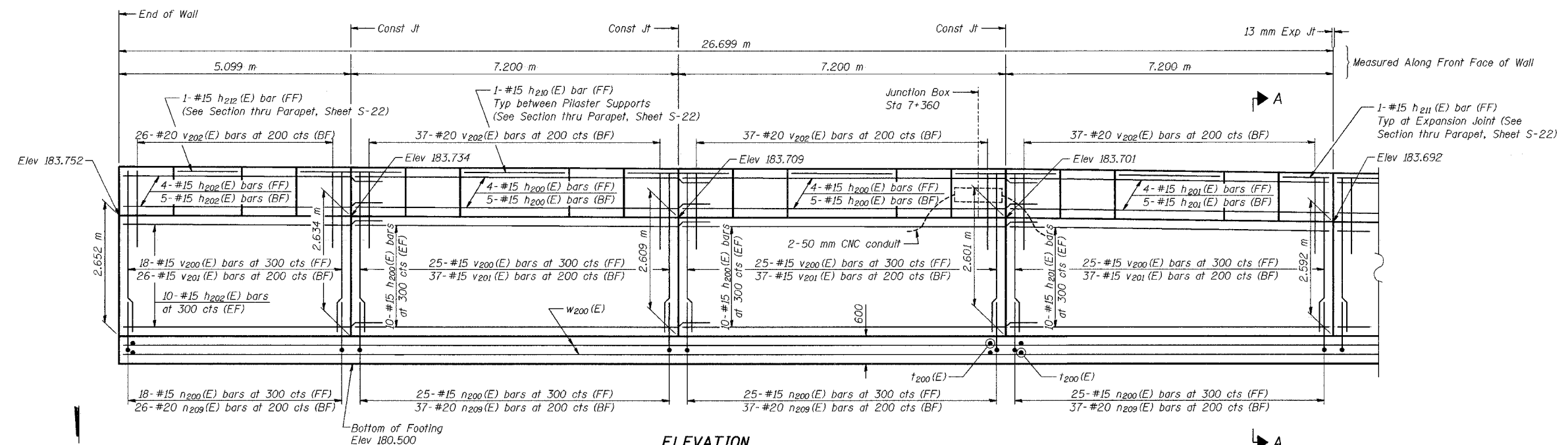


ROUTE NO.	SECTION	COUNTY	SHEET NO.	SHEET TOTAL
F.A.L. 80/94	2001-167R	COOK	1207	985
CONTRACT No. 62114				

SHEET NO. S-3
35 SHEETS



NOTES:

See Sheet S-22 for Section A-A, Pilaster Support details, and Bill of Material.

See Sheet S-23 for Rustication details and Expansion Joint Detail.

Stations are referenced to @ I-80/94.

Reinforcement bars designated (E) shall be epoxy coated.

All dimensions are in millimeters (mm) except as noted.

See Electrical Drawings for Junction Box and Conduit Details.

Bars indicated thus 20 x 3-#15 etc. indicates 20 lines of bars with 3 lengths per line.

DESIGNED	BHS
CHECKED	KFA
DRAWN	MJB
CHECKED	GSP

MINIMUM BAR LAPS

#15 bars = 640
#20 bars = 790
#25 bars = 1320

LEGEND

BF = Back Face
FF = Front Face
EF = Each Face

ILLINOIS DEPARTMENT OF TRANSPORTATION
F.A.L. ROUTE 80/94 AND U.S. ROUTE 6
LOCAL ROAD RECONSTRUCTION

**PLAN AND ELEVATION (1 OF 19)
SECTION 2001-167R
COOK COUNTY**

**STATION 6+850.000 to STATION 7+379.000
STRUCTURE NO. 016-W874**

DATE 07/05

AMERICAN
CONSULTING ENGINEERS

FOR INFORMATION ONLY