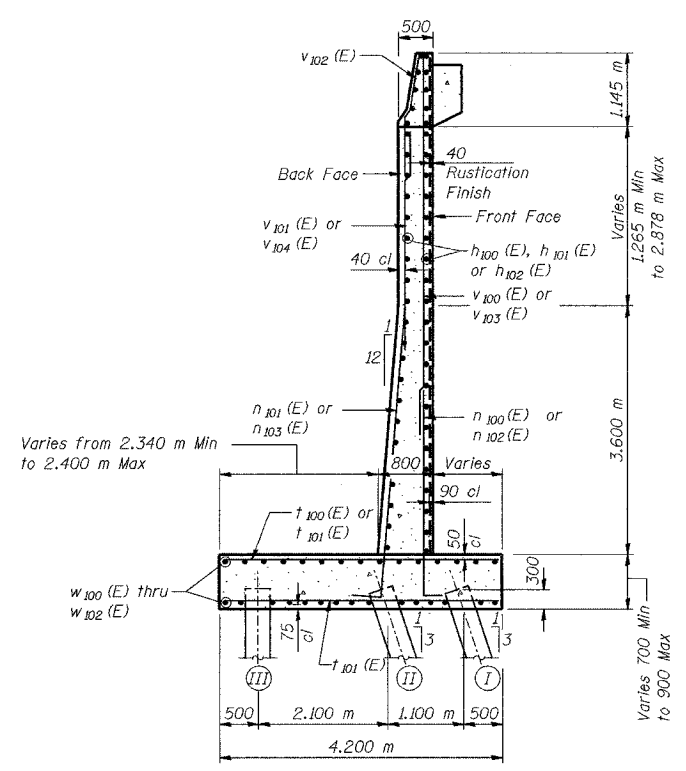


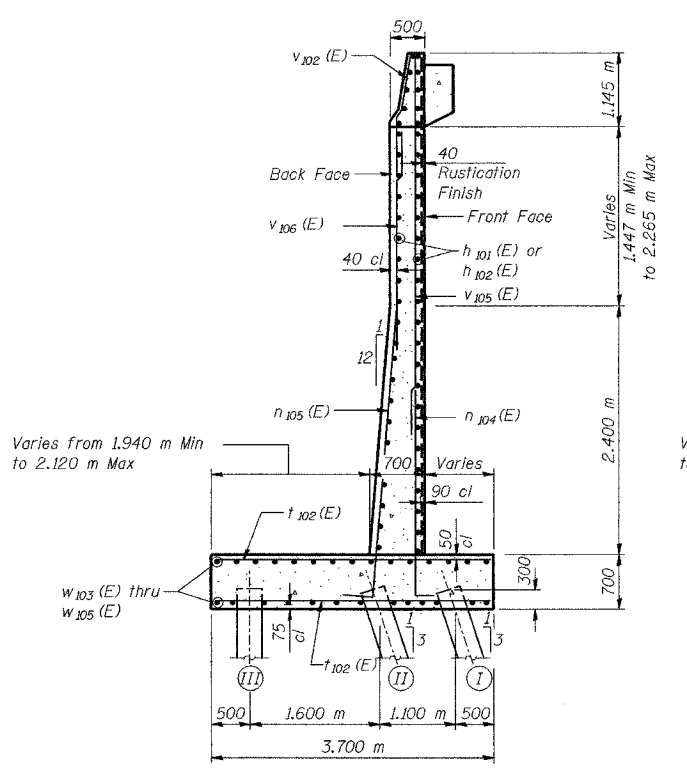
ROUTE NO.	SECTION	COUNTY	SHEET NO.	SHEET
69/14	2626.2-R-2	LAKE COUNTY, INDIANA	1207	1056
SHEET NO. S-14		20 SHEETS		

CONTRACT NO. 62114 INDOT DES. NO. 0100987

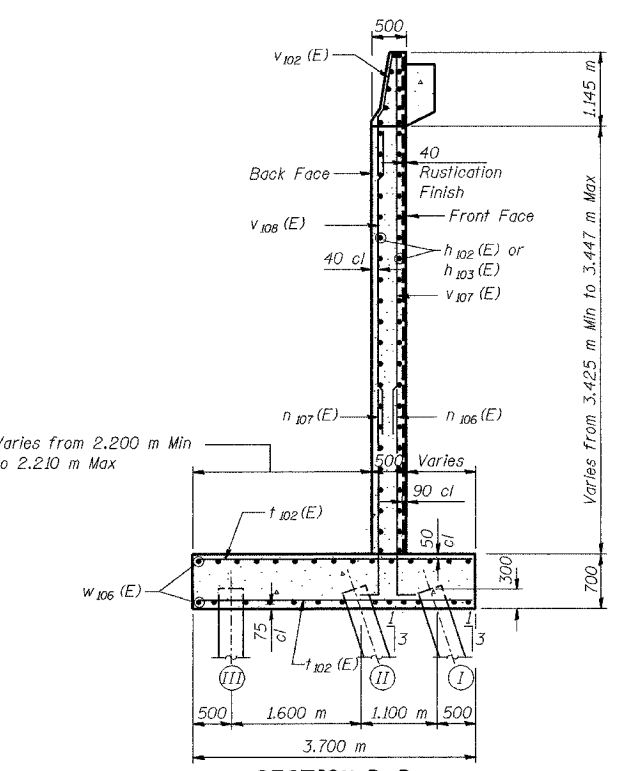
Future Overhead Sign Structure - Span 500, 1000 m  
Elev 185.379



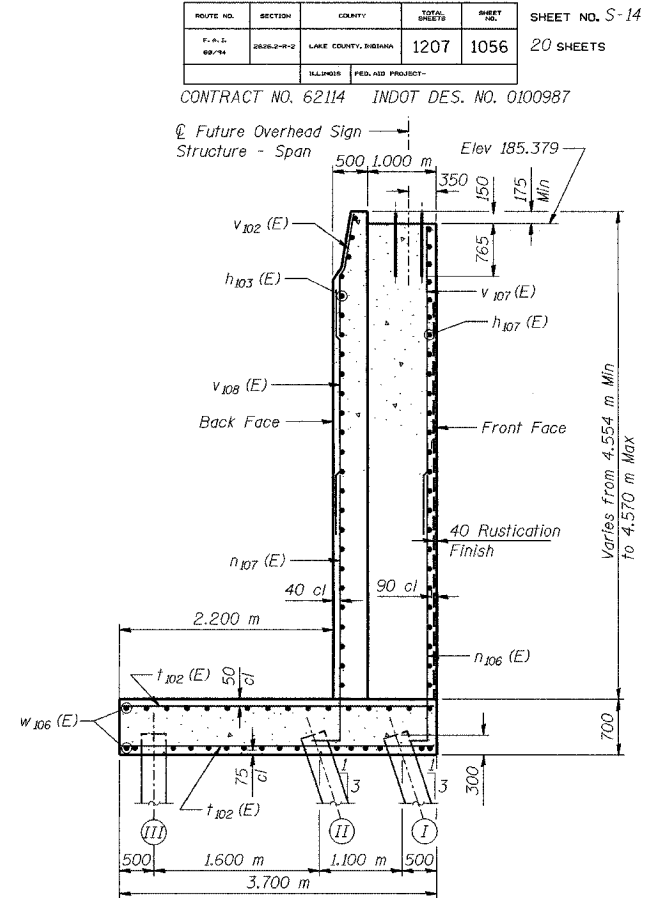
SECTION A-A



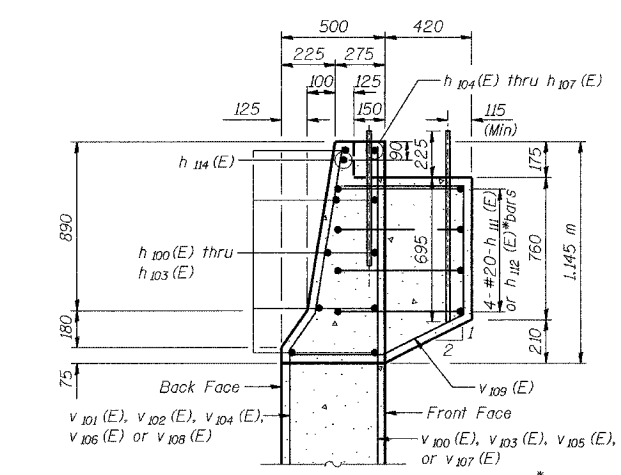
SECTION C-C



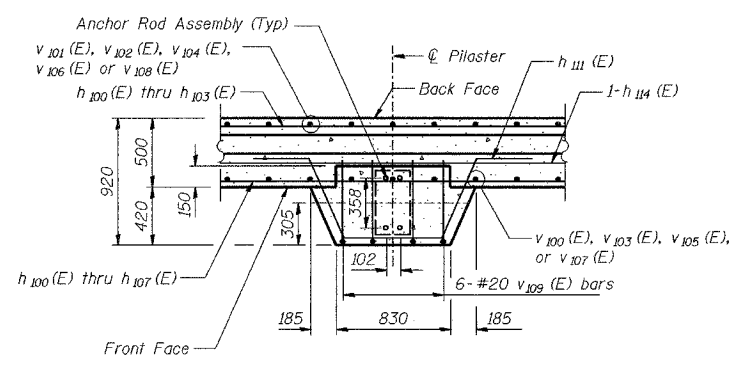
SECTION D-D



SECTION E-E

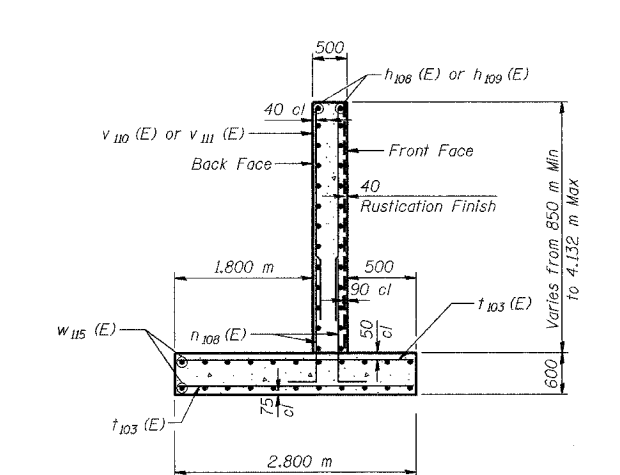


SECTION THRU PARAPET

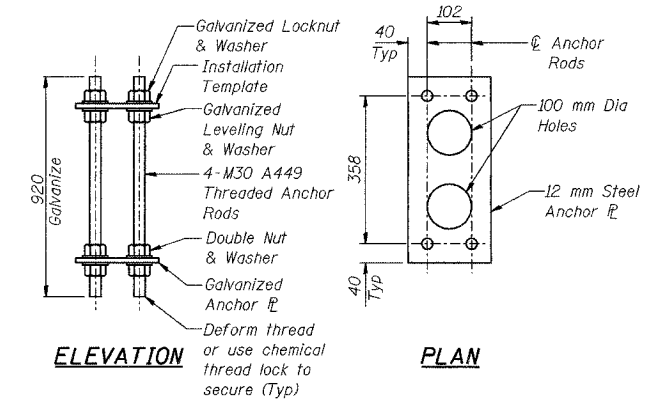


PILASTER SUPPORT - PLAN VIEW

(67 Locations)



SECTION B-B



ELEVATION

PLAN

NOISE ABATEMENT WALL ANCHOR ROD ASSEMBLY

(69 Req'd)

DESIGNED	KFA
CHECKED	BPS
DRAWN	MJB
CHECKED	GSP

**PILE DATA**

Type - 356  $\phi$  Metal Shell  
Capacity - 500 kN  
Est. Length - 18.8 m from Sta 7+945.000 to Sta 8+000.000  
2.1 m from Sta 8+000.000 to Sta 8+188.000  
No. Req'd - 421  
Test Piles - 5

**NOTES:**

See Sheet S-15 for Expansion Joint details and Bill of Material  
See Sheet S-16 for Rustication details.  
Reinforcement bars designated (E) shall be epoxy coated.  
All dimensions are in millimeters (mm) except as noted.  
See Typical Section on Sheet S-2 for Drainage Details and Surface Seal Limits.

ILLINOIS DEPARTMENT OF TRANSPORTATION  
I-80/94/US 6  
KINGERY-BORMAN EXPRESSWAY  
BURNHAM ROAD TO US 41

**WALL SECTIONS AND DETAILS (1 OF 2)**  
**SECTION 2626.2-R-2**  
**LAKE COUNTY, INDIANA**  
**STATION 7+945.232 TO STATION 8+196.892**  
**STRUCTURE NO. 016-W919**

DATE 09/05

**AMERICAN**  
CONSULTING ENGINEERS