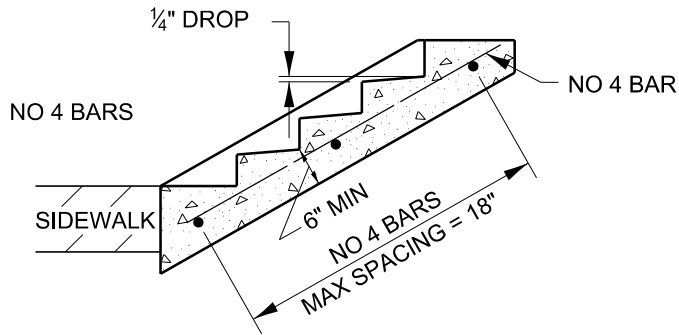
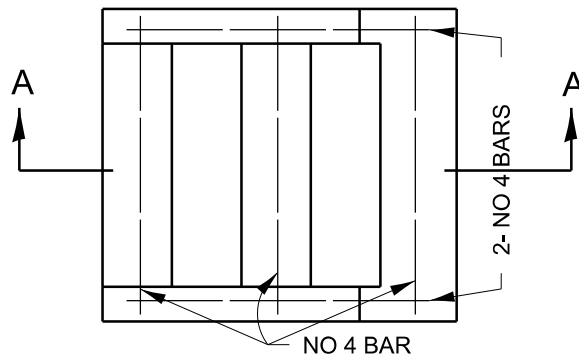


END ELEVATION



SECTION A-A



PLAN

TABLE OF TREADS & RISERS

SLOPE	TREAD	RISER
1:2	12"	6"
1:3	15"	5"
1:4	17"	4 1/4"

WHERE SLOPES FALL BETWEEN THOSE SHOWN IN THE TABLE ABOVE, THE STAIR RAIL SHOULD FIT THE SLOPE AND THE TREAD IN INCHES x THE RISER IN INCHES SHOULD BE BETWEEN 72 AND 78.

EXAMPLE:

FOR A 1:4 SLOPE USE $y = \text{RISER HEIGHT}$ $4y = \sqrt{75}$.
 SOLVING $y^2 = \frac{75}{4}$, $y = 4.3"$ (USE 4 1/4" FOR CONVENIENCE.)
 TREAD WOULD THEN BE $4 1/4" \times 4 = 17"$

COST OF REINFORCEMENT BARS SHALL BE PAID FOR AT THE CONTRACT UNIT PRICE PER LBS REINFORCEMENT BARS.

CLASS SI CONCRETE SHALL BE USED THROUGHOUT, WHICH SHALL BE PAID FOR AT THE CONTRACT UNIT PRICE PER CUBIC YARD FOR CLASS SI CONCRETE STEPS.

DETAIL OF CONCRETE STEPS