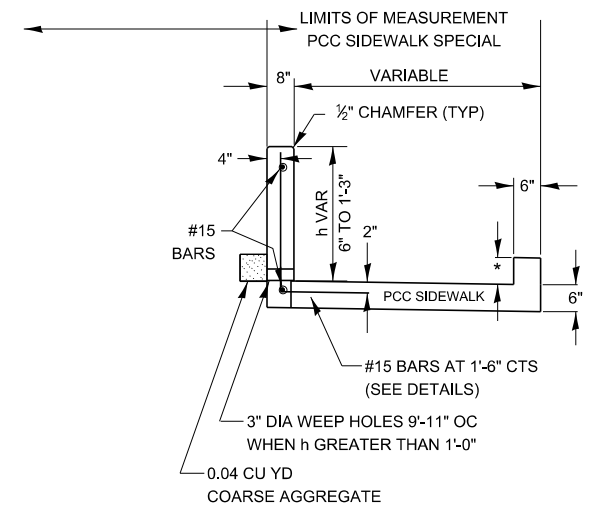
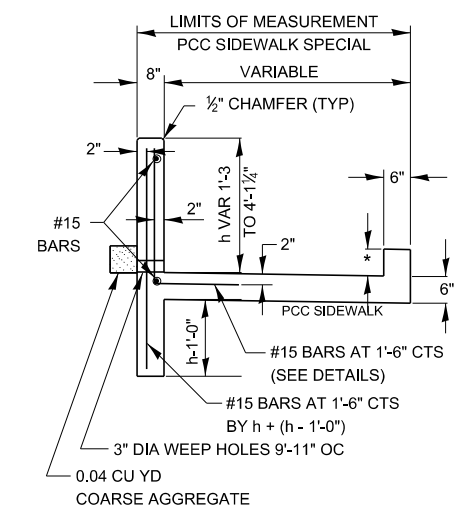


MODEL.dwg 3 12x11b
 FILE NAME: P:\Illinois\Drawings\DOT\Office\Drawings\Detail\Drawings\2023\000-199 SURF CSE PAVT REHAB & SHLD.DWG



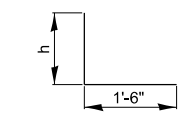
TYPE 1

APPLIED AT LOCATIONS WHERE WALL HEIGHT VARIES FROM 6" TO 1'-3"



TYPE 2

APPLIED AT LOCATIONS WHERE WALL HEIGHT VARIES FROM 1'-3" TO 4'-1/2"



BENT BAR DETAIL

* HEIGHT VARIES AS PER STANDARD 424001.

NOTE: PREFORMED EXPANSION JOINT FILLER SHALL BE PLACED ALONG THE ENTIRE JOINT AT LOCATIONS WHERE THE PCC SIDEWALK SPECIAL CHANGES FROM TYPE 1 TO TYPE 2. PREFORMED EXPANSION JOINT FILLER SHALL COMPLY WITH SECTION 1051 OF THE STANDARD SPECIFICATIONS. COST INCIDENTAL TO PCC SIDEWALK 6" SPECIAL.

PCC SIDEWALK SPECIAL WITH RETAINING WALL

424-31

	USER NAME = Anthony.Grunstad	DESIGNED -	REVISED -	STATE OF ILLINOIS DEPARTMENT OF TRANSPORTATION		F.A. RTE.	SECTION	COUNTY	TOTAL SHEETS	SHEET NO.	
	PLOT SCALE = 100,000 ' / in.	CHECKED -	REVISED -								
	PLOT DATE = 9/27/23	DATE -	REVISED -			SCALE:	SHEET	OF	SHEETS	STA.	TO STA.
								CONTRACT NO.			
								ILLINOIS	FED. AID PROJECT		