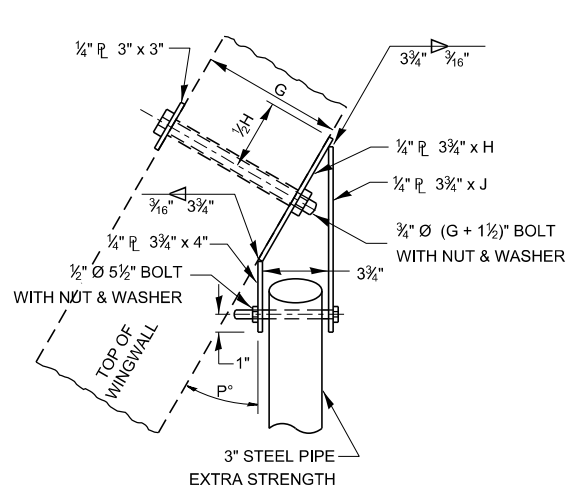


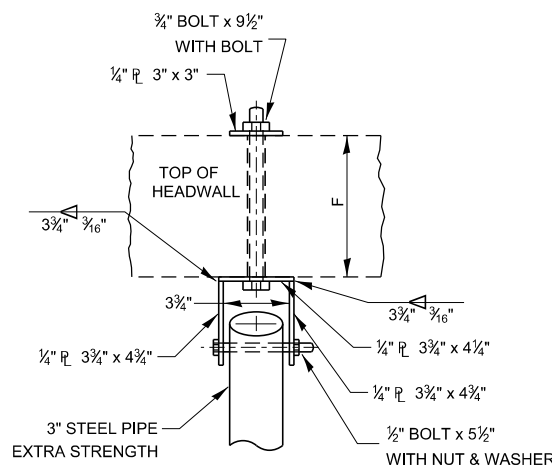
PLAN

END BRACKET ASSEMBLY - LEFT



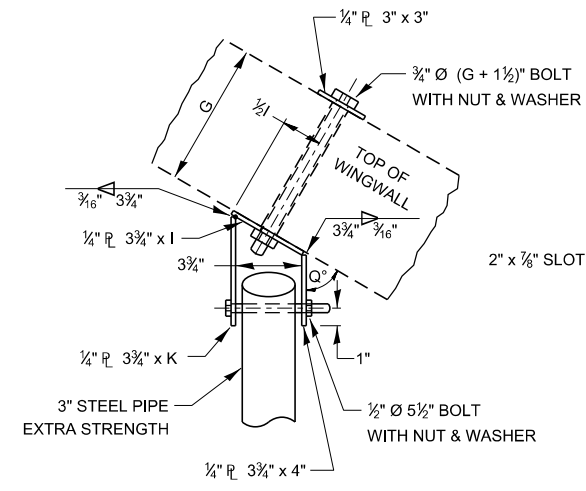
PLAN

WINGWALL BRACKET ASSEMBLY - LEFT



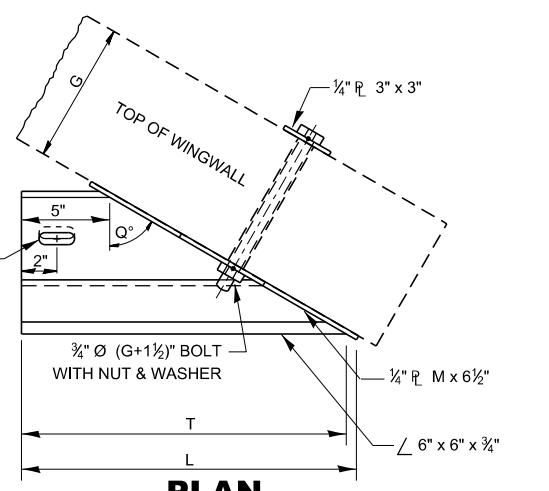
PLAN

HEADWALL BRACKET ASSEMBLY



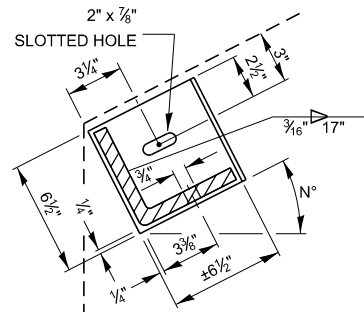
PLAN

WINGWALL BRACKET ASSEMBLY - RIGHT

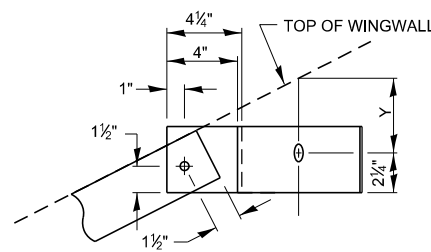


PLAN

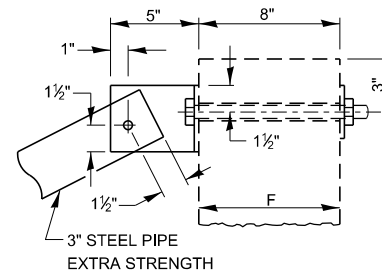
END BRACKET ASSEMBLY - RIGHT



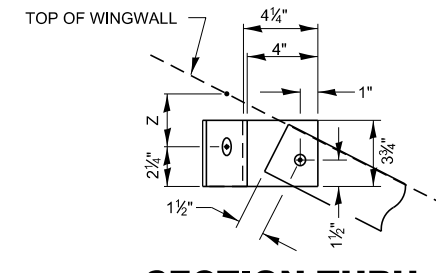
**SECTION THRU
DETAIL A**



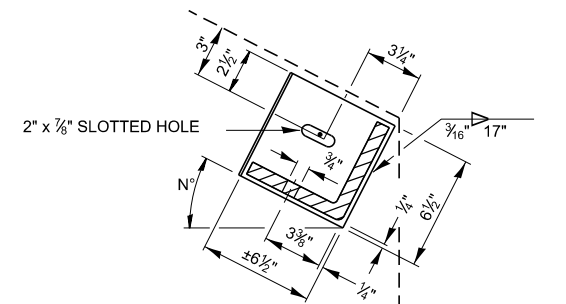
**SECTION THRU
DETAIL B**



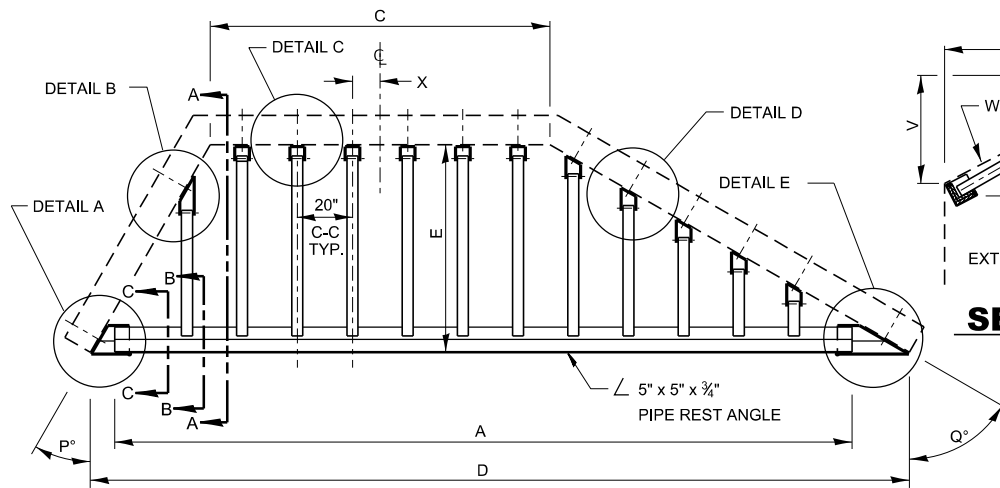
**SECTION THRU
DETAIL C**



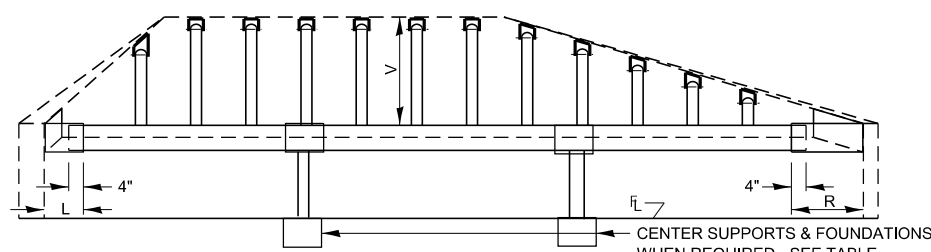
**SECTION THRU
DETAIL D**



**SECTION THRU
DETAIL E**

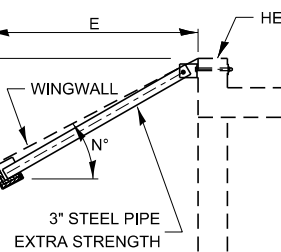


PLAN VIEW

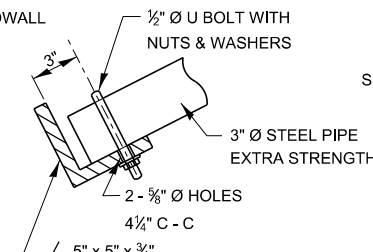


ELEVATION VIEW

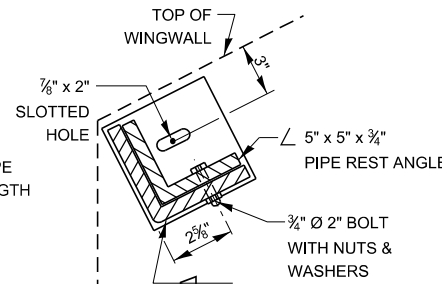
CENTER SUPPORTS & FOUNDATIONS
WHEN REQUIRED - SEE TABLE



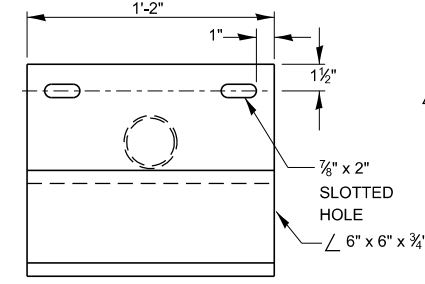
SECTION A-A



SECTION B-B

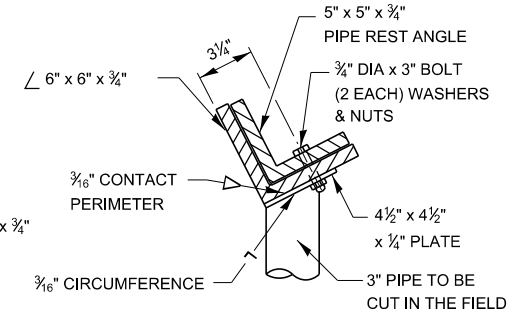


SECTION C-C



PLAN VIEW OF SUPPORT

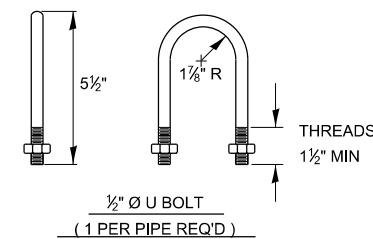
3" STEEL PIPE, EXTRA STRENGTH
x 2' LONG TO BE
CUT TO FIT IN THE FIELD



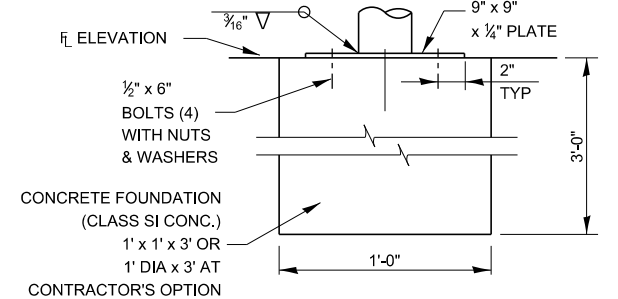
END VIEW OF SUPPORT

GENERAL NOTES

BOLTS AND NUTS SHALL CONFORM TO ASTM A 307. ALL BOLTS SHALL HAVE WASHERS AT EACH END. HOLES SHALL BE 1/16" OVERSIZE UNLESS OTHERWISE NOTED EXCEPT IN CONCRETE WHICH SHALL BE 1/8" OVERSIZE. ANGLES AND STEEL PLATES SHALL CONFORM TO AASHTO M183. STEEL PIPES SHALL CONFORM TO ASTM A53 GRADE B OR ASTM A 501. STEEL PIPES, ANGLES AND PLATES SHALL BE HOT DIPPED GALVANIZED CONFORMING TO THE REQUIREMENTS OF AASHTO M111. BOLTS, NUTS AND WASHERS SHALL BE HOT DIPPED GALVANIZED CONFORMING TO THE REQUIREMENTS OF AASHTO M232. THE APPROXIMATE WEIGHT OF STEEL GIVEN IN TABLES INCLUDES PLATES, ANGLES, AND PIPES. BOLTS, NUTS AND WASHERS ARE NOT INCLUDED. ALL DIMENSIONS ARE TO BE VERIFIED IN THE FIELD. CUTTING OF THE EXTRA STRENGTH PIPE AND ANGLES TO THE EXACT LENGTHS AND DRILLING HOLES IS TO BE DONE IN THE FIELD. THIS WORK SHALL BE PAID FOR AT THE CONTRACT UNIT PRICE "EACH" FOR GRATING FOR CONCRETE HEADWALLS IN PLACE, AND SHALL INCLUDE FABRICATION PAINTING, CENTER SUPPORTS WHEN REQUIRED, AND INSTALLATION OF THE GRATING AS DETAILED.



DETERMINING NEED OF CENTER SUPPORTS		
TIP TO TIP OF WINGWALLS (DIMENSION "D")	NUMBER OF SUPPORTS REQUIRED	LOCATION
0'-0" TO 12'-6"	0	—
12'-6" TO 18'-0"	1	CENTER OF SPAN
18'-0" TO 24'-0"	2	1/3 OF SPAN
24'-0" TO 30'-0"	3	1/4 OF SPAN



CENTER SUPPORT FOUNDATION

MODEL: det 3 details
FILE: \\p1101\p1101\Documents\DOT Offices\Divide 3\Standards - District 3\DETAILS\SUBJECT 3 - STANDARD DETAILS - DGN\500-599 - STRUCTURES.dgn

USER NAME = ronald.pohar	DESIGNED -	REVISED -
	DRAWN -	REVISED -
PLOT SCALE = 100,000 ' / in.	CHECKED -	REVISED -
PLOT DATE = 3/18/2024	DATE -	REVISED -

**STATE OF ILLINOIS
DEPARTMENT OF TRANSPORTATION**

GRATING FOR CULVERTS WITH WINGWALLS

SCALE: SHEET OF SHEETS STA. TO STA.

F.A. RTE.	SECTION	COUNTY	TOTAL SHEETS	SHEET NO.
CONTRACT NO.				
ILLINOIS FED. AID PROJECT				