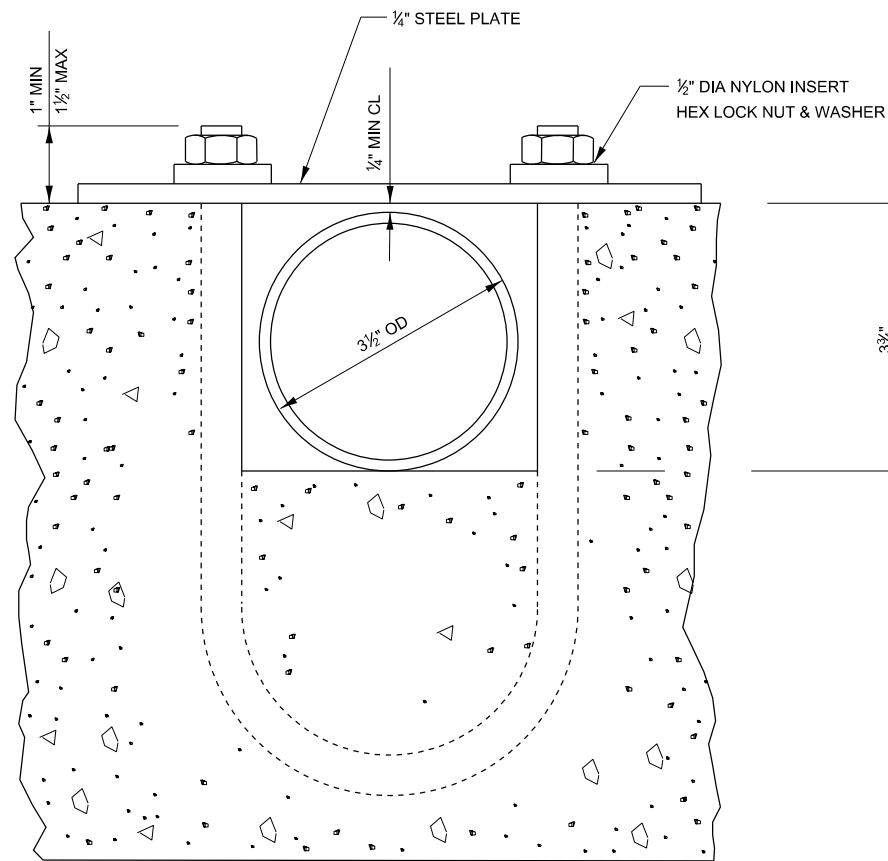
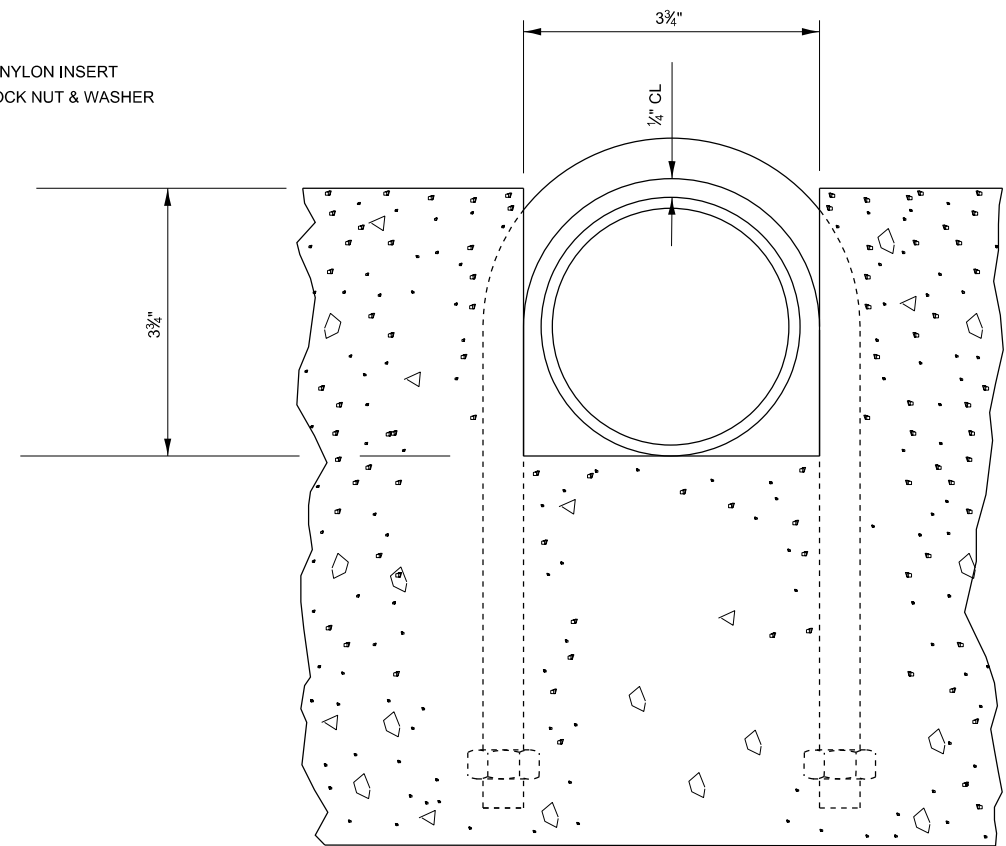


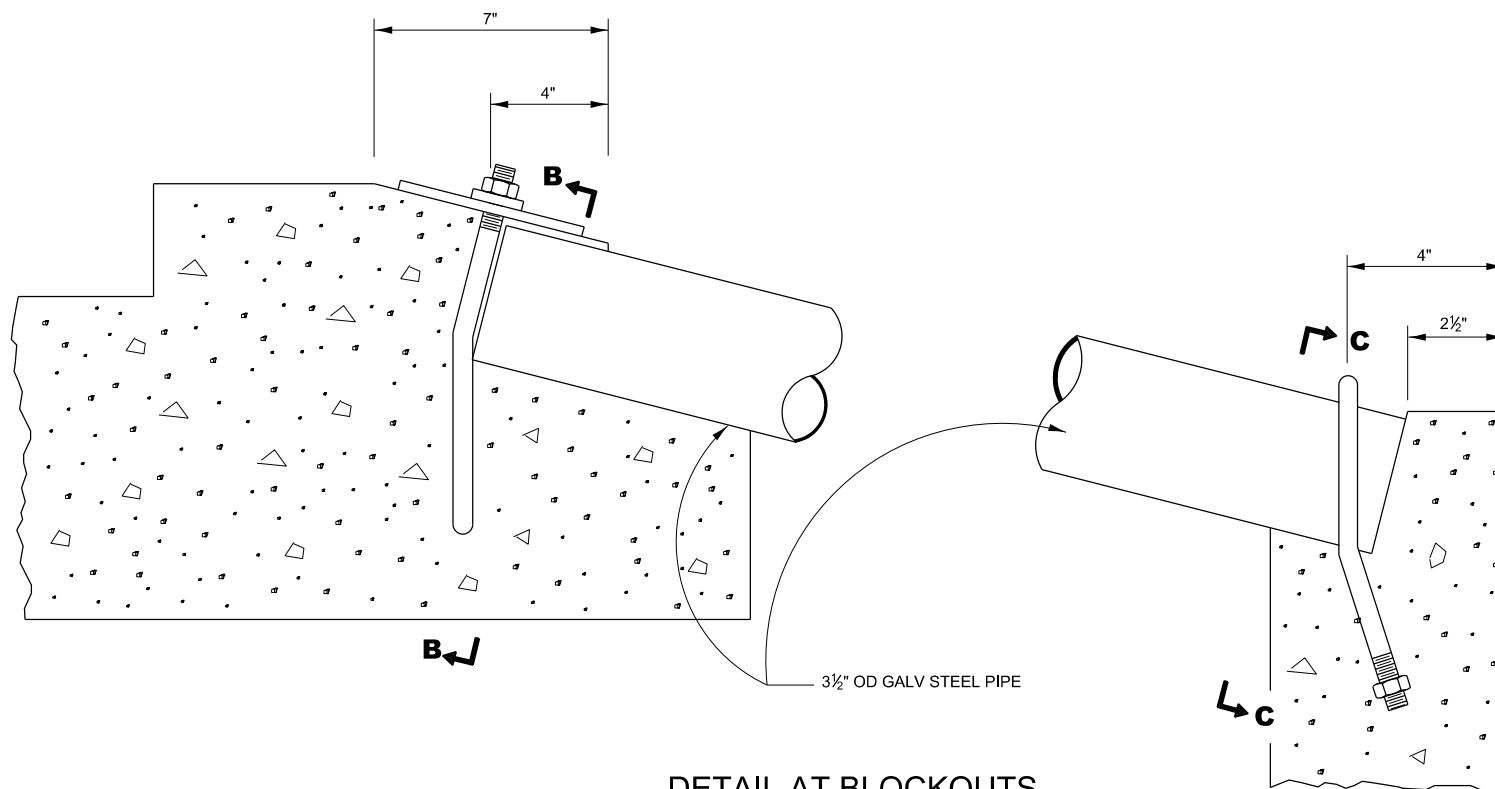
TOP ANCHOR PLATE
(1 - REQUIRED)



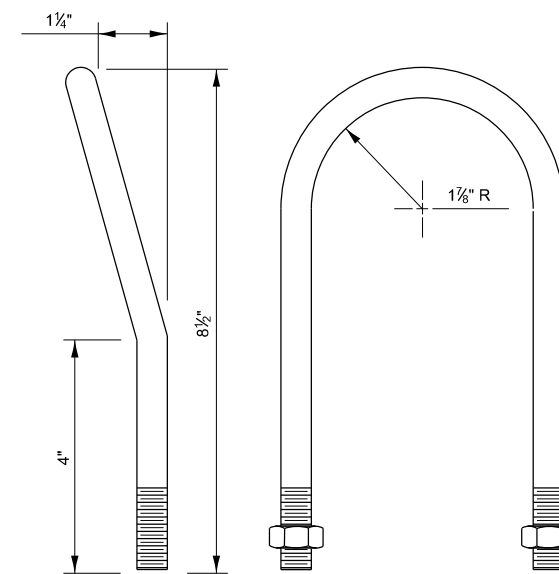
SECTION B-B



SECTION C-C



DETAIL AT BLOCKOUTS



1/2" DIA U BOLT
(2 - REQUIRED)

MODEL det 3 d.tbl
 FILE Name: p:\u1111\scw\benley.com\PIVOT\Documents\DOT Offices\District 3\Standards - District 3\DETAILS\SUBDISTRICT 3\STANDARD DETAILS_DGN\500-599_STRUCTURES.dgn

USER NAME = ronald.pohar	DESIGNED -	REVISED -
PLOT SCALE = 100,000 ' / in.	DRAWN -	REVISED -
PLOT DATE = 3/18/2024	CHECKED -	REVISED -
	DATE -	REVISED -

**STATE OF ILLINOIS
DEPARTMENT OF TRANSPORTATION**

INLET BOX, SPECIAL

SCALE: SHEET OF SHEETS STA. TO STA.

F.A. RTE.	SECTION	COUNTY	TOTAL SHEETS	SHEET NO.
CONTRACT NO.				
ILLINOIS FED. AID PROJECT				

542-4C