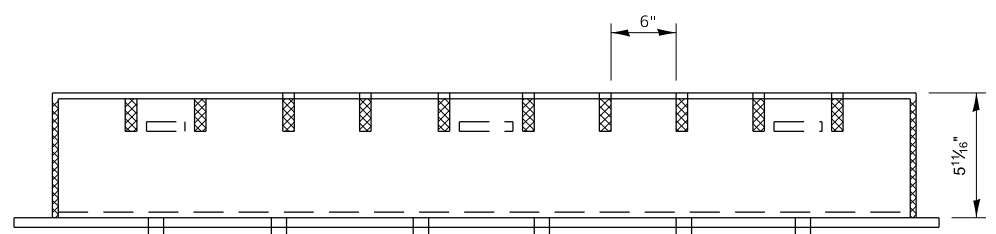
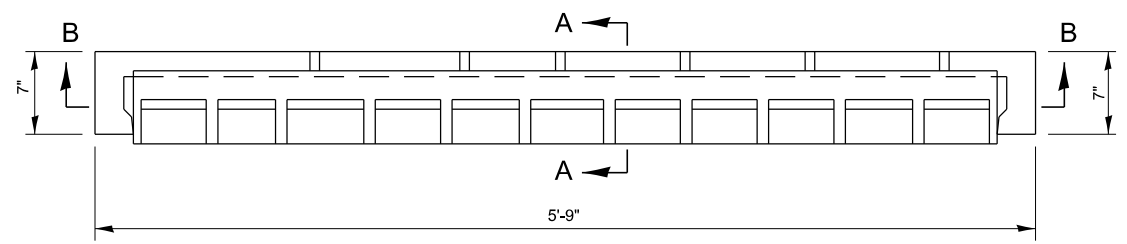
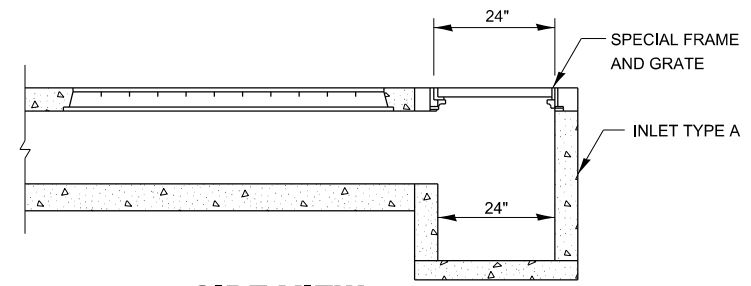


MODEL: det 3 det 1b
 FILE: \\miller.pva\illinois\projects\dot\documents\dot\office\shurtz\3\projects\carcy\detail\03_detail_revisions_2023\601-3\INCIDENTAL_CONSTRUCTION.dgn

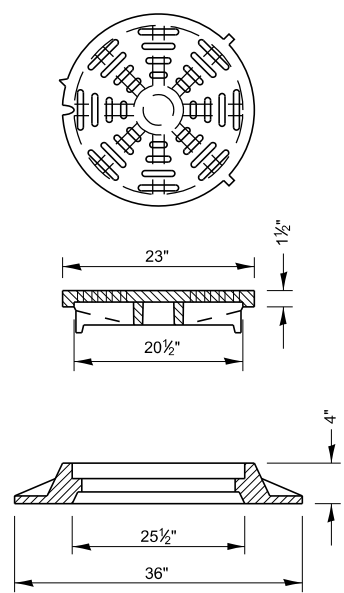


SECTION B-B

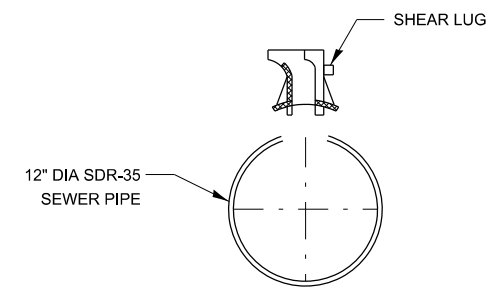


SIDE VIEW

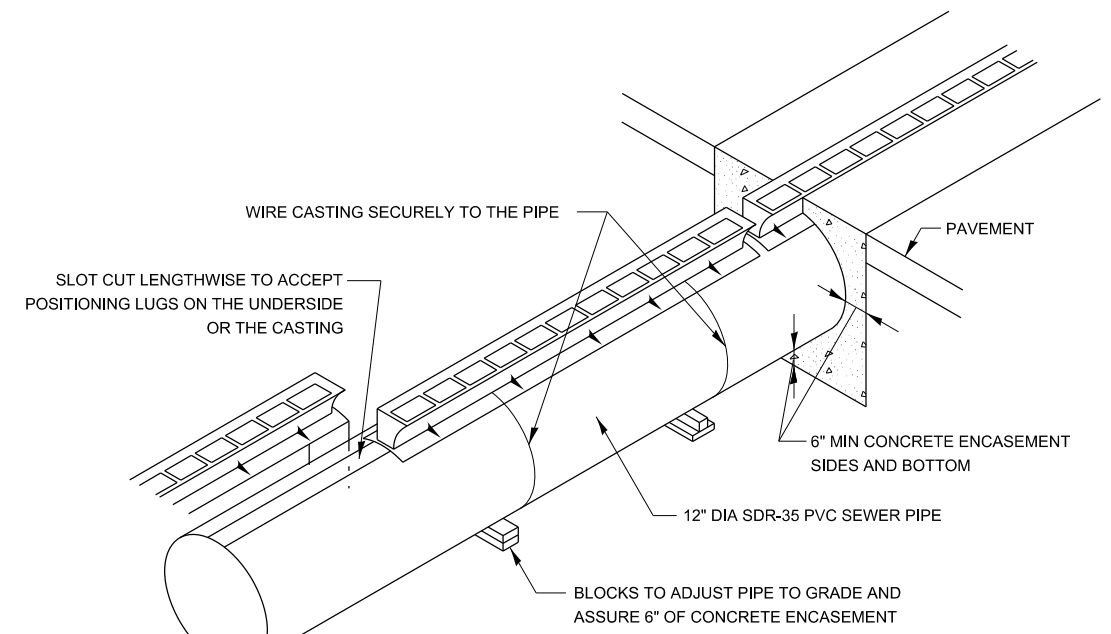
SPECIAL FRAME AND GRATE



TOTAL WEIGHT 285 LBS



SECTION A-A



GENERAL NOTES:

- CLASS SI CONCRETE SHALL BE USED THROUGHOUT.
- THE CONTRACT UNIT PRICE PER FOOT FOR SLOTTED DRAIN 12" WITH 6" SLOT SHALL INCLUDE THE GRATE, CLASS SI CONCRETE, SDR-35 PVC 12" SEWER PIPE, BLOCKS, WIRE AND EXCAVATION.
- THE INLET TYPE A TO BE IN ACCORDANCE WITH STANDARD 602301.
- THE CONTRACT UNIT PRICE EACH FOR INLETS, TYPE A, WITH SPECIAL FRAME, OPEN LID SHALL INCLUDE A TYPE A INLET AND THE SPECIAL FRAME AND GRATE DETAILED ABOVE.

601-3

USER NAME = anthony.grunstad	DESIGNED -	REVISED -
PLOT SCALE = 100,000 ' / in.	DRAWN -	REVISED -
PLOT DATE = 10/3/23	CHECKED -	REVISED -
	DATE -	REVISED -

**STATE OF ILLINOIS
DEPARTMENT OF TRANSPORTATION**

**DETAIL OF SLOTTED VANE DRAIN
12" WITH 6" SLOT**

SCALE: SHEET OF SHEETS STA. TO STA.

F.A. RTE.	SECTION	COUNTY	TOTAL SHEETS	SHEET NO.
CONTRACT NO.				
ILLINOIS FED. AID PROJECT				