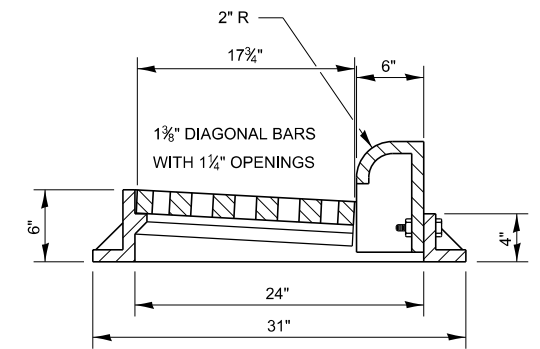
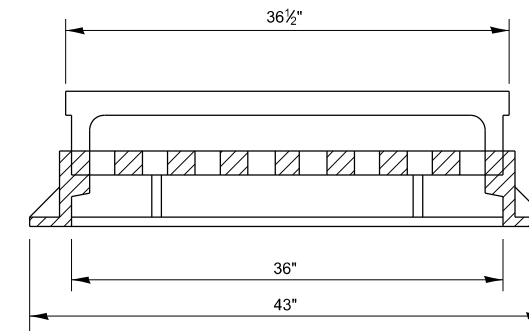


**PLAN OF FRAME**

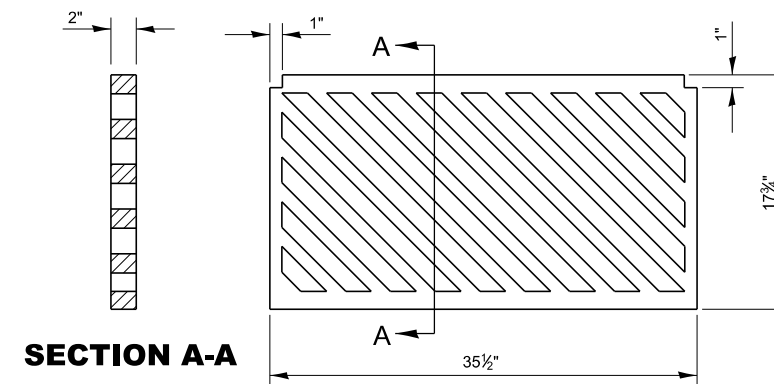
WITHOUT GRATE AND CURB BOX



**TRANSVERSE SECTION**



**LONGITUDINAL SECTION**



**SECTION A-A**

**PLAN OF GRATE**

**FRAME AND GRATE FOR INLET SPECIAL**

604-5

MODEL: det 3 detail  
 FILE: \\miller\paw\benley.com\PI\DOT\Documents\DOT Offices\Dir\dr. 3\Projects\Carry Detail\03 Detail\Revisions 2023\604-5\INCIDENTAL CONSTRUCTION.dgn

USER NAME = anthony.grunstad	DESIGNED -	REVISED -
	DRAWN -	REVISED -
PLOT SCALE = 100,000 ' / in.	CHECKED -	REVISED -
PLOT DATE = 10/3/23	DATE -	REVISED -

**STATE OF ILLINOIS  
DEPARTMENT OF TRANSPORTATION**

SCALE: SHEET OF SHEETS STA. TO STA.

F.A. RTE.	SECTION	COUNTY	TOTAL SHEETS	SHEET NO.
CONTRACT NO.				
ILLINOIS FED. AID PROJECT				