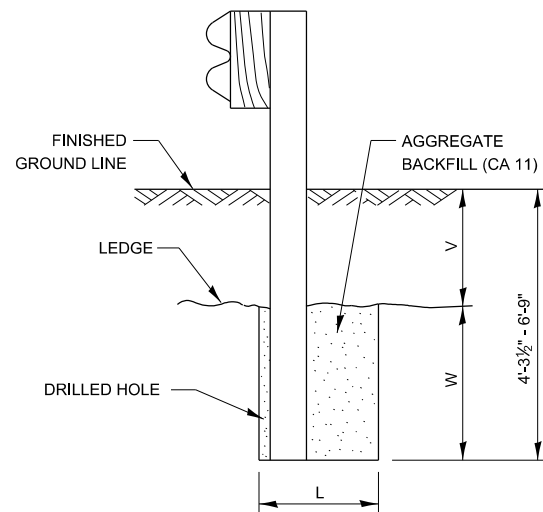


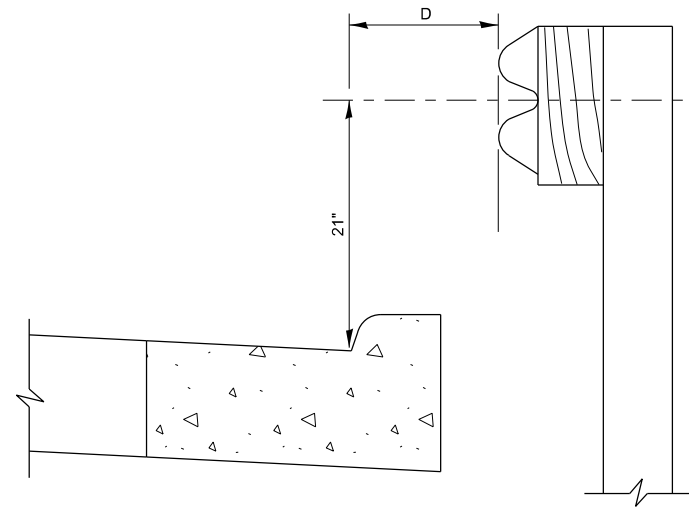
**PLAN**



NOTE:  
LEDGE LINE IS TOP OF ROCK LEDGE OR HARD SLAG FILL.

**ELEVATION**

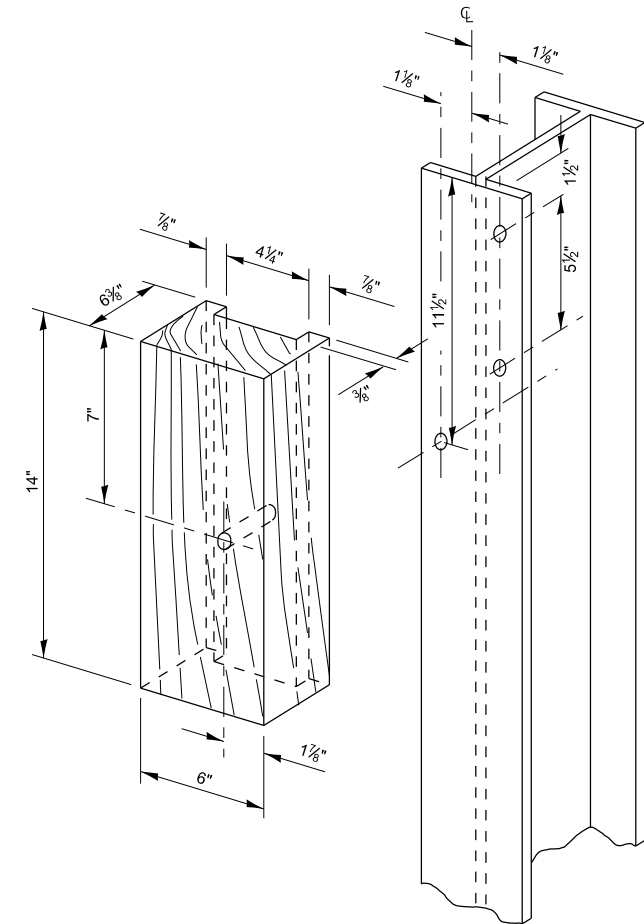
**FOOTING FOR POST WHEN IMPERVIOUS MATERIAL IS ENCOUNTERED**



NOTE:  
IF IT IS NECESSARY FOR D TO BE MORE THAN 12\"/>

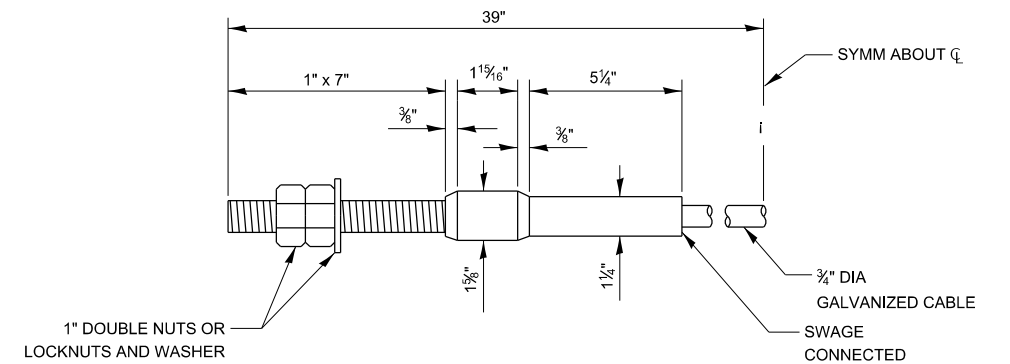
**GUARDRAIL PLACED BEHIND CURB**

(D = 0 DESIRABLE TO 12\"/>



**WOOD BLOCK-OUT AND STEEL POST DETAILS**

V	W	L	
		STEEL POST	WOOD POST
0" - 18"	24"	21"	23"
>18" - 41 1/2"	12"	8"	10"
>41 1/2" - 53 1/2"	12" - 0"	8"	10"



**CABLE ASSEMBLY**

40,000 LBS MIN BREAKING STRENGTH  
TIGHTEN TO TAUT TENSION.

MODEL: det 3 d.tbl  
FILE: \\miller\paw\benet\com\PI\DOT\Documents\DOT Offices\Dir\dr: 3\Projects\3-Darcy Detail\03 Detail Rev\03 2023\606-699 INCIDENTAL CONSTRUCTION.dgn

USER NAME = anthony.grunstad	DESIGNED -	REVISED -
	DRAWN -	REVISED -
PLOT SCALE = 100,000 ' / in.	CHECKED -	REVISED -
PLOT DATE = 10/3/23	DATE -	REVISED -

STATE OF ILLINOIS  
DEPARTMENT OF TRANSPORTATION

**REMOVE AND REERECT STEEL PLATE BEAM GUARDRAIL**

SCALE: SHEET OF SHEETS STA. TO STA.

F.A. RTE.	SECTION	COUNTY	TOTAL SHEETS	SHEET NO.
CONTRACT NO.				
ILLINOIS FED. AID PROJECT				

633-1D