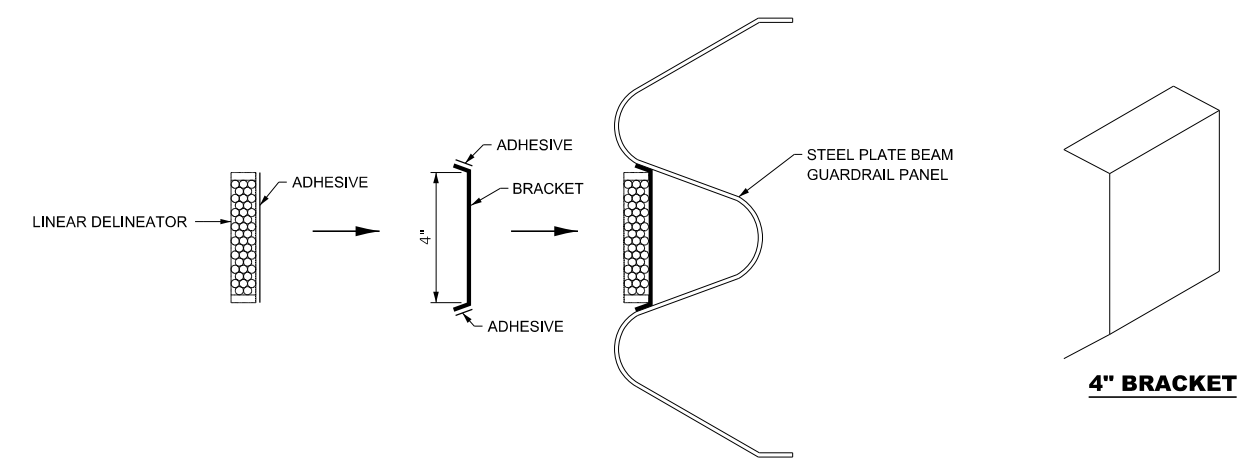


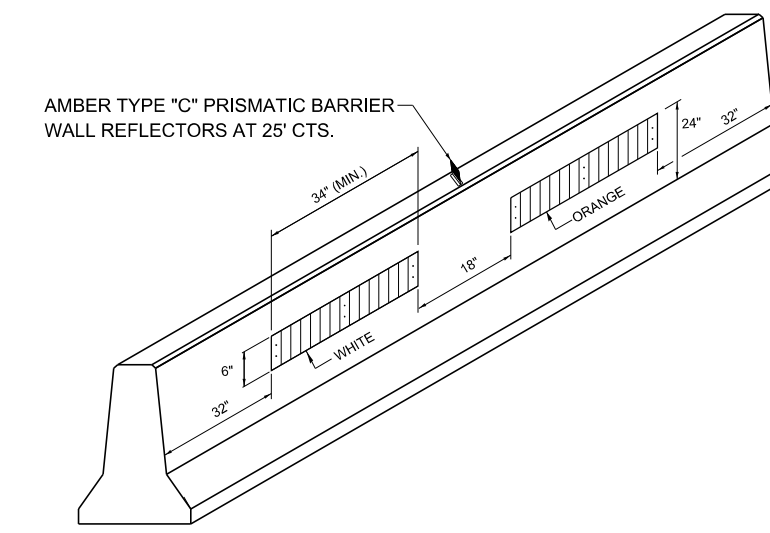
# 782-5



**LINEAR DELINEATOR APPLICATION TO STANDARD GALVANIZED GUARDRAIL**  
LINEATOR DELINEATOR SHALL BE APPLIED ACCORDING TO THE MANUFACTURER'S RECOMMENDATIONS

782-5

# 782-6



**LINEAR DELINEATOR PANELS FOR TEMPORARY CONCRETE BARRIER**

782-6

STATE OF ILLINOIS DEPARTMENT OF TRANSPORTATION	SCALE: SHEET OF SHEETS STA. TO STA.	F.A. RT#	SECTION	COUNTY	TOTAL SHEETS	SHEET NO.
						CONTRACT NO.
[ILLINOIS] HIGHWAY PROJECT						

USER NAME = [initials]	DESIGNED -	REVISED -
	DRAWN -	REVISED -
PROJECT SCALE = 1/4" = 1'-0"	CHECKED -	REVISED -
PLANT DATE = 2003	DATE -	REVISED -

STATE OF ILLINOIS  
DEPARTMENT OF TRANSPORTATION

SCALE: SHEET OF SHEETS STA. TO STA.	F.A. RT#	SECTION	COUNTY	TOTAL SHEETS	SHEET NO.
					CONTRACT NO.
[ILLINOIS] HIGHWAY PROJECT					