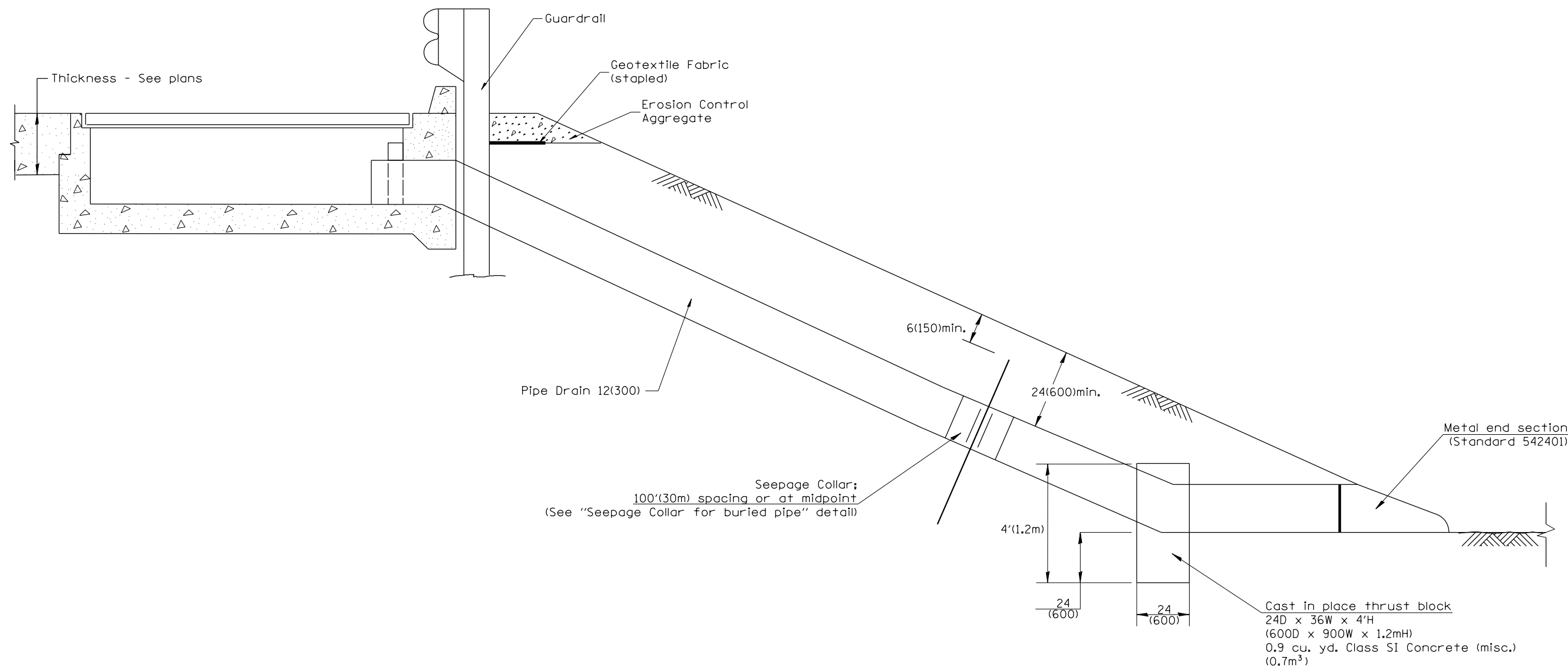


SLOPE DRAIN FOR BURIED PIPES



GENERAL NOTES

1. The material for Pipe Drains shall be bituminous coated galvanized corrugated steel culvert pipe or bituminous coated corrugated aluminum alloy pipe in accordance with Article 601.02(b) or 601.02(e) or Polyvinyl Chloride (PVC) pipe in accordance with Article 601.02 (s).
2. An approved mastic material (Article 1055.01) shall be applied to the inside of the connecting bands.

All dimensions are in inches (millimeters) unless otherwise noted.

DESIGNER NOTES:  
 1. IF USING ON A TALL SLOPE DISCUSS NUMBER OF THRUST BLOCKS NEEDED WITH PROJECT ENGINEER.  
 2. INCLUDE STATE STANDARD 610001, IF APPLICABLE  
 3. INCLUDE DISTRICT CADD STANDARDS FOR "GUARDRAIL EROSION CONTROL TREATMENTS", "SEEPAGE COLLARS FOR BURIED PIPES", AND "PIPE ELBOW"

QUANTITIES	
CALC. BY: _____	DATE: _____
CHECKED BY: _____	DATE: _____
QUANTITY CALCULATIONS ARE ON FILE AT THE DISTRICT 4 OFFICE; BUREAU OF PROJECT IMPLEMENTATION; DOCUMENTATION SECTION	

01-01-97	RENUM. H-1.04, NEW REVISION BOX, REVISED TITLE BOX, REVISED DESIGNER NOTES, ADDED QUANTITY	T.P.	7-15-15	DELETED BC&D DETAIL FOR APPROACH DRAINS	R.D.
10-16-06	REVISED TO 2007 SPEC.	M.A.			

STATE OF ILLINOIS  
 DEPARTMENT OF TRANSPORTATION

SLOPE DRAIN DETAIL FOR BURIED PIPES

NOT TO SCALE

CADD STD. 601101-D4

F.A. RTE.	SECTION	COUNTY	TOTAL SHEETS	SHEET NO.
CONTRACT NO.				
FED. ROAD DIST. NO. ILLINOIS FED. AID PROJECT				