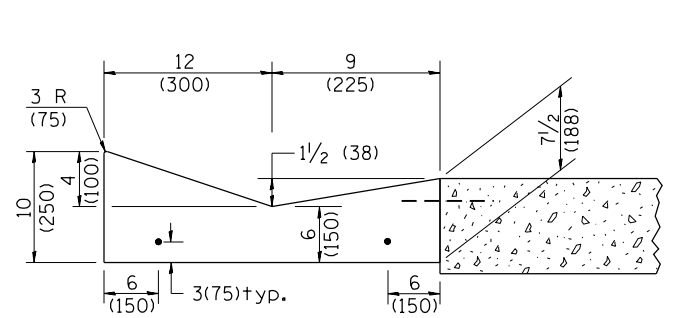


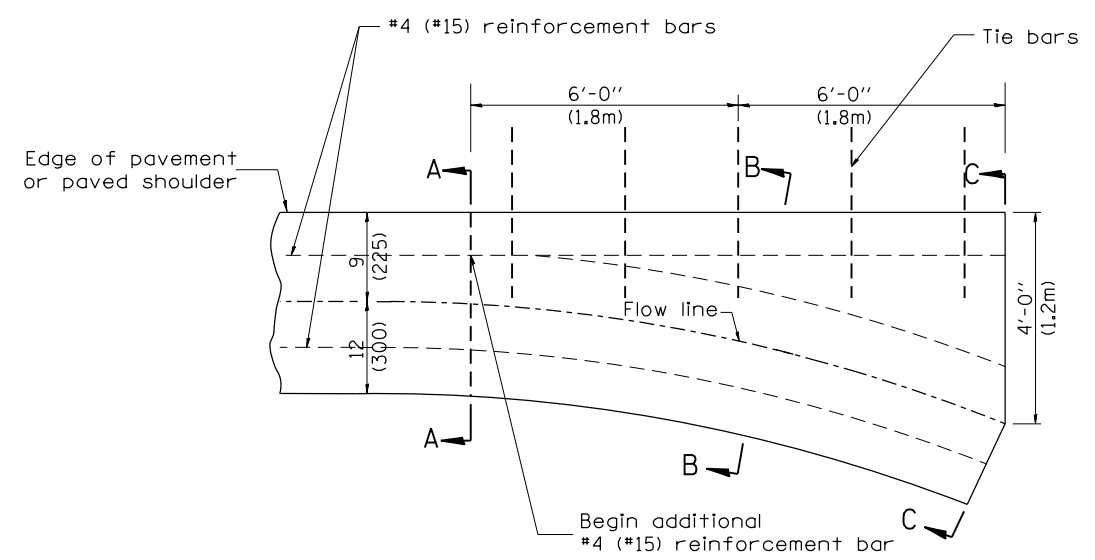
SHOULDER EDGE GUTTER

PAVEMENT EDGE GUTTER

CONCRETE GUTTER, TYPE B, (SPECIAL)

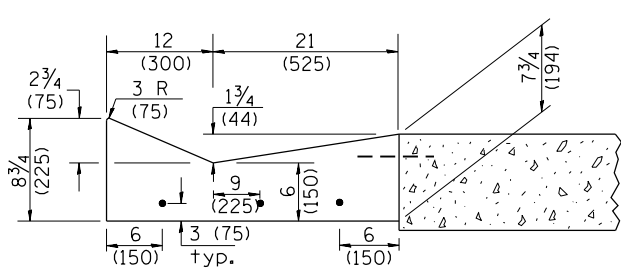


SECTION A-A

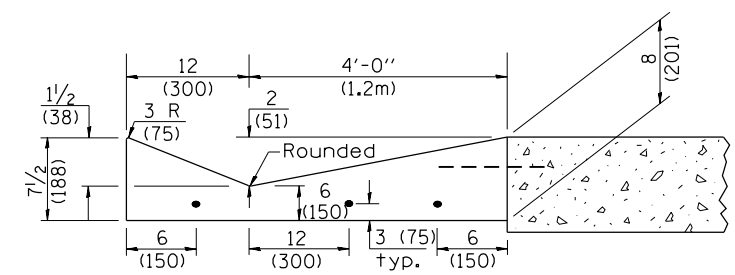


PLAN

QUANTITY
Section C-C to A-A=
0.73 cu. yd. concrete.



SECTION B-B



SECTION C-C

INLET

GENERAL NOTES:

1. CONCRETE GUTTER, TYPE B (SPECIAL) shall conform to the the applicable portions of Section 606.
2. Tie bars shall be No. 6x24 (No. 19x600) at 36" (900mm) centers unless otherwise shown.
3. Gutter, gutter inlets, gutter outlets, and gutter entrances shall be tied to rigid pavement in accordance with details shown on Standard 420001.
4. Joints shall be constructed in accordance with Article 606.06.
5. Welded wire fabric shall conform to Article 1006.10(c)(1), and shall not be less than 58 lbs/100 sq.ft. (2.83 kg/m²).

DESIGNER NOTES:
1. INCLUDE STATE std. 420001.

QUANTITIES	
CALC. BY:	DATE:
CHECKED BY:	DATE:
QUANTITY CALCULATIONS ARE ON FILE AT THE DISTRICT 4 OFFICE; BUREAU OF PROJECT IMPLEMENTATION; DOCUMENTATION SECTION	

All dimensions are in inches (millimeters) unless otherwise noted.

01-01-97	RENUM. A-1.01, NEW REVISION BOX, ELIMINATED	T.P.	10-16-06	REVISED TO 2007 SPEC.	M.A.
	EXPANSION ANCHOR TIES		11-16-07	REVISED QUANTITY	M.A.
03-06-98	CORRECT DIMENSIONING	J.A.	02-15-11	CHANGED MODIFIED TO SPECIAL	R.D.
03-10-06	REVISED QUANTITY	M.A.	01-31-18	REVISED TIE BAR SIZE & SPACING	R.D.

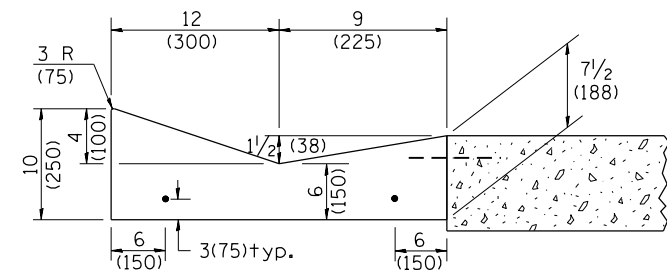
STATE OF ILLINOIS
DEPARTMENT OF TRANSPORTATION

CONCRETE GUTTER, TYPE B, (SPECIAL)
(INLET, OUTLET & ENTRANCE)

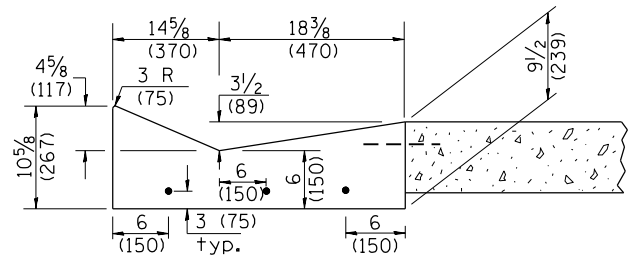
NOT TO SCALE

SHT. 1 OF 3
CADD STD. 606201-D4

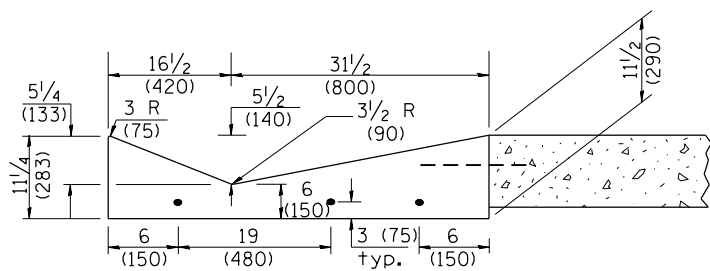
F.A. RTE.	SECTION	COUNTY	TOTAL SHEETS	SHEET NO.
CONTRACT NO.				
FED. ROAD DIST. NO. ILLINOIS FED. AID PROJECT				



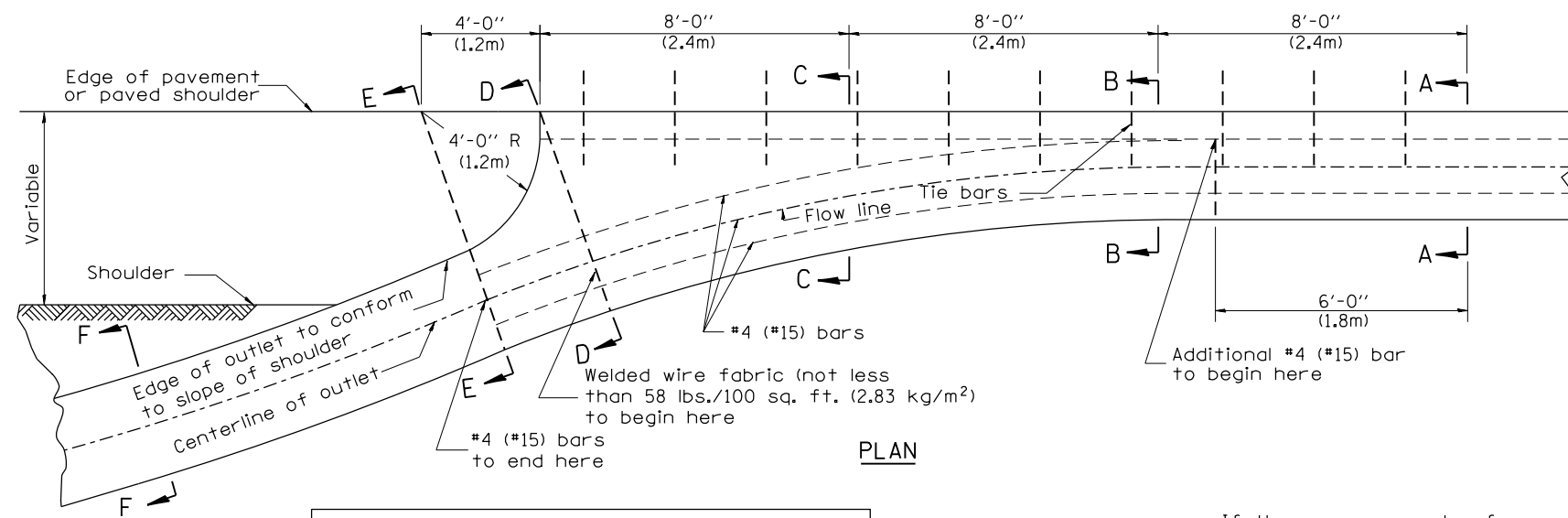
SECTION A-A



SECTION B-B



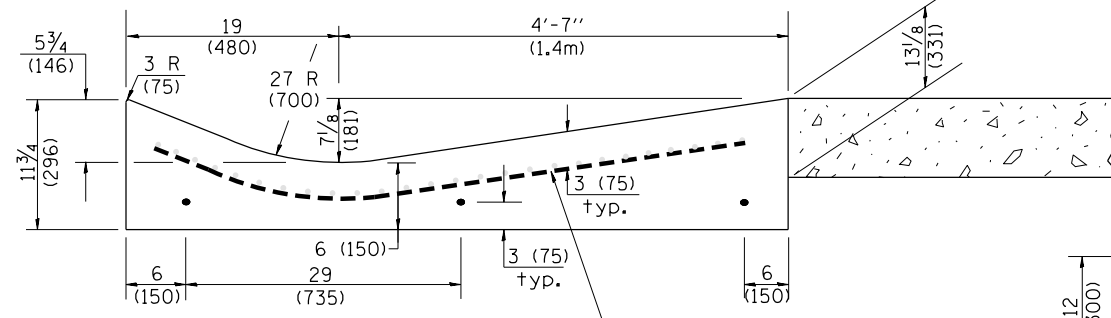
SECTION C-C



PLAN

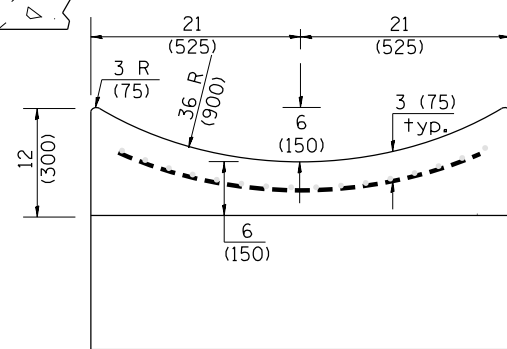
QUANTITY
 Section A-A to E-E= 2.81 cu. yd. concrete.
 Section E-E to F-F= 0.09 cu. yd./ft. concrete.

If the average grade of pavement for the distance from section A-A to section D-D exceeds 2%, this distance shall be increased 6 ft. (1.8m) for each 1% increase in grade. A quantity adjustment is required.

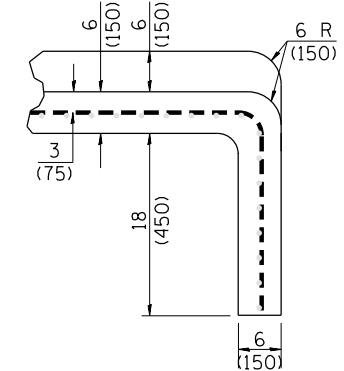


SECTION D-D

Welded wire fabric (typ.)



SECTION E-E



SECTION F-F

SECTIONS AT END OF OUTLET (CURTAIN WALL)

QUANTITY
 Curtain Wall = 0.1 cu. yd. concrete.

QUANTITIES
 CALC. BY: _____ DATE: _____
 CHECKED BY: _____ DATE: _____
 QUANTITY CALCULATIONS ARE ON FILE AT THE DISTRICT 4 OFFICE; BUREAU OF PROJECT IMPLEMENTATION; DOCUMENTATION SECTION

OUTLET

STATE OF ILLINOIS
 DEPARTMENT OF TRANSPORTATION

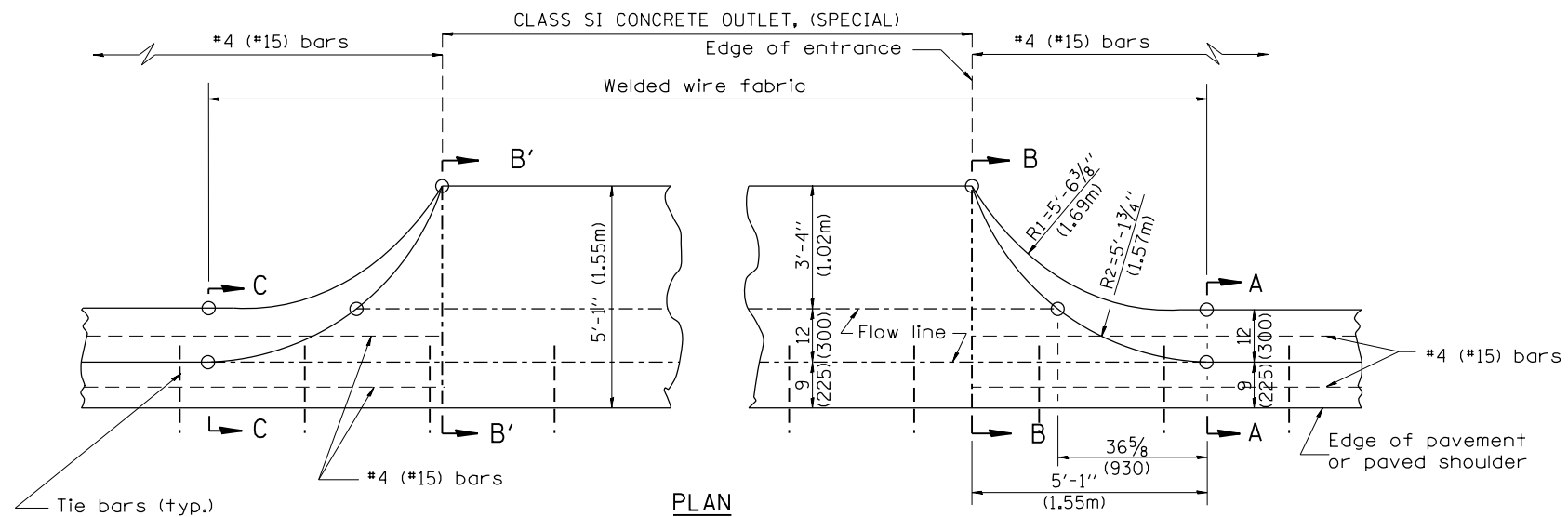
CONCRETE GUTTER, TYPE B, (SPECIAL)
 (INLET, OUTLET & ENTRANCE)

NOT TO SCALE

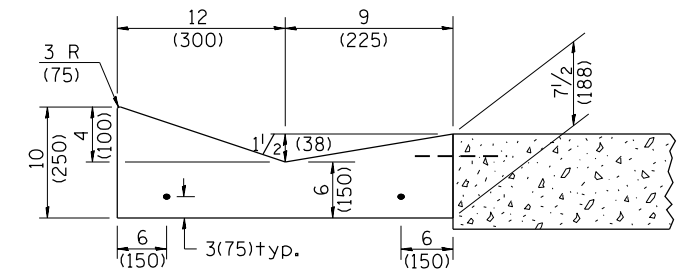
SHT. 2 OF 3
 CADD STD. 606201-D4

All dimensions are in inches (millimeters) unless otherwise noted.

F.A. RTE.	SECTION	COUNTY	TOTAL SHEETS	SHEET NO.
CONTRACT NO.				
FED. ROAD DIST. NO. ILLINOIS FED. AID PROJECT				

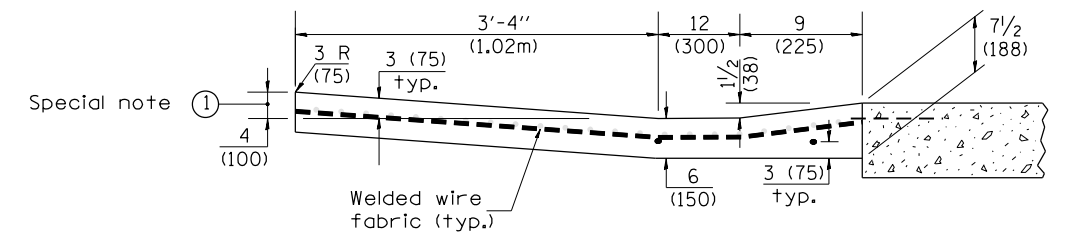


TYPICAL URBAN ENTRANCE



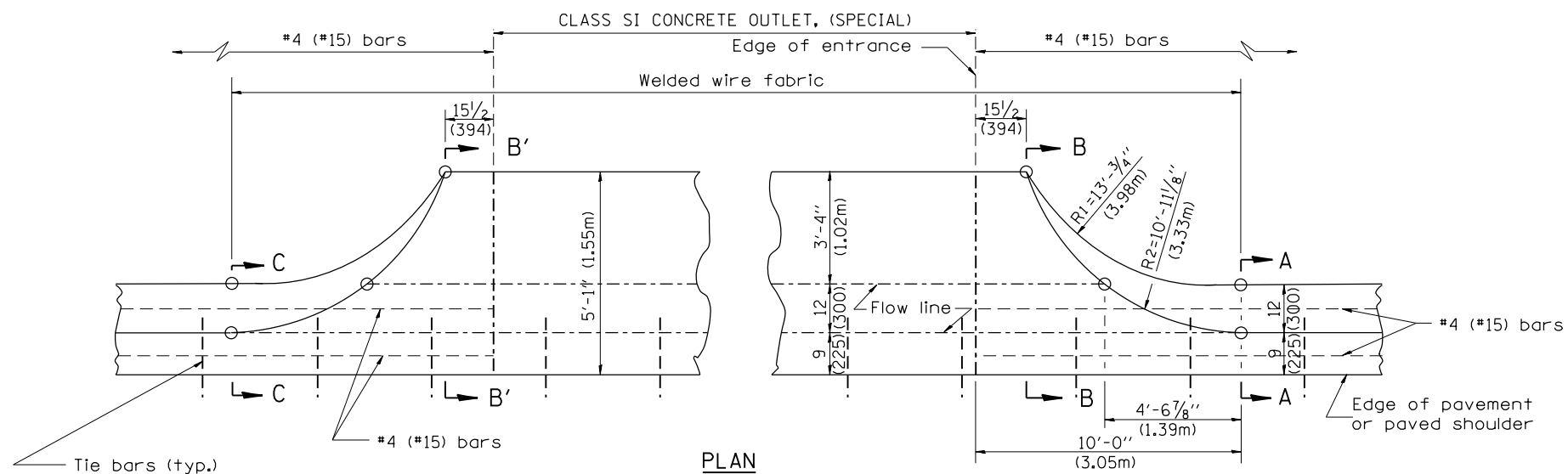
SECTION A-A & C-C

QUANTITY URBAN ENTRANCE
 Section B'-B' to B-B= 0.1 cu. yd./ft.
 Section C-C to B'-B' + B-B to A-A= 0.69 cu. yd.



SECTION B-B & B'-B'

SPECIAL NOTES:
 ① 4 (100) is the normal dimension. If specified in the plans, the following shall be used for improved entrance match-up: Minimum - 2 1/2 (65) Maximum - 5 (125)



TYPICAL RURAL ENTRANCE

QUANTITY RURAL ENTRANCE
 Section B'-B' to B-B= 0.1 cu. yd./ft.
 Section C-C to B'-B' + B-B to A-A= 1.19 cu. yd.

QUANTITIES
 CALC. BY: _____ DATE: _____
 CHECKED BY: _____ DATE: _____
 QUANTITY CALCULATIONS ARE ON FILE AT THE DISTRICT 4 OFFICE; BUREAU OF PROJECT IMPLEMENTATION; DOCUMENTATION SECTION

All dimensions are in inches (millimeters) unless otherwise noted.