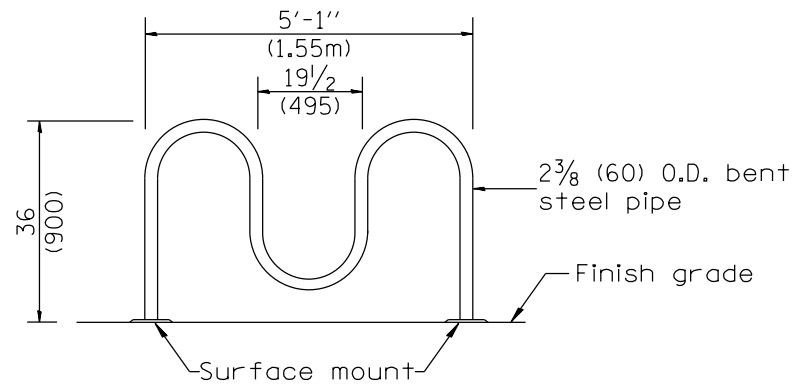
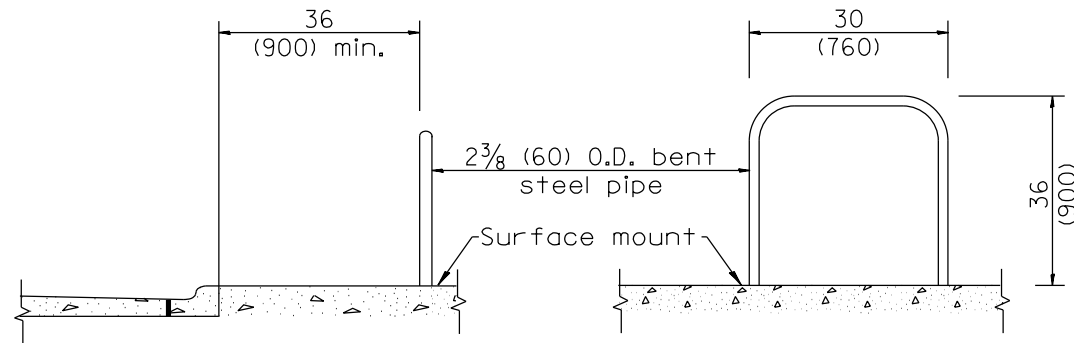


**DESIGNER NOTES:**

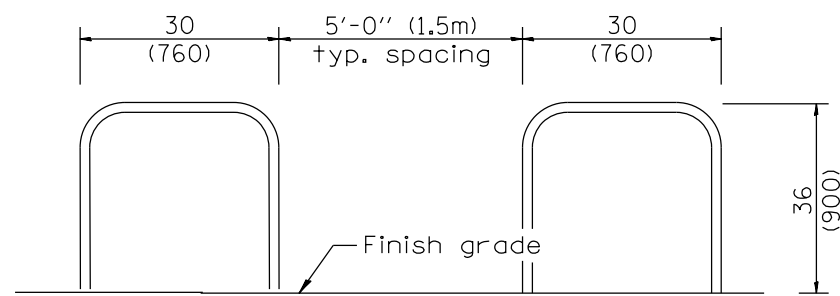
1. CHECK WITH PROJECT ENGINEER BEFORE USING IN PLANS.
2. VERIFY THAT THESE DESIGNS STILL MEET THE CURRENT REQUIREMENTS FOR BICYCLE FACILITIES.
3. A PROJECT SPECIFIC SPECIAL PROVISION WILL BE NEEDED WITH THIS CADD STANDARD.



**TYPE A<sub>3</sub> BICYCLE RACK ELEVATION**

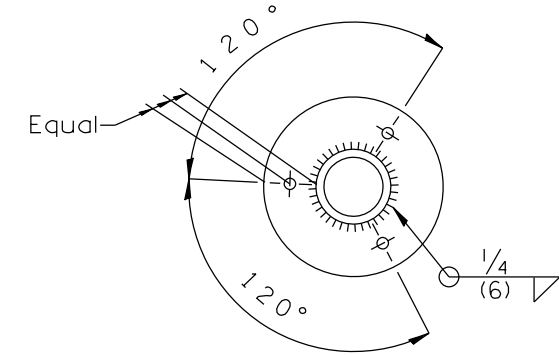


**TYPE B BICYCLE RACK**



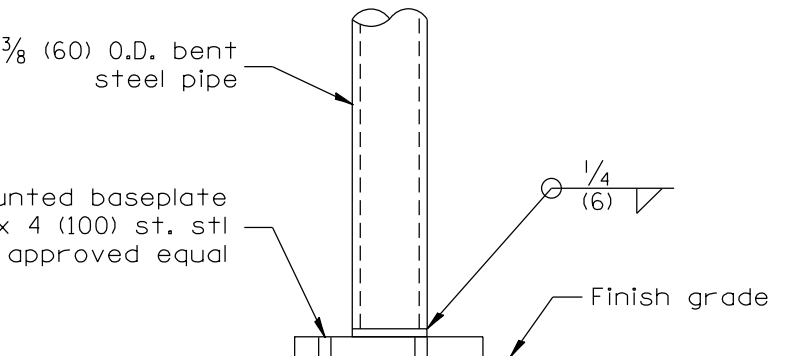
**TYPE A<sub>5</sub> BICYCLE RACK ELEVATION**

7 1/2 (190) dia. x 1/2 (13) thick base plate



2 3/8 (60) O.D. bent steel pipe

7 1/2 (190) dia. flush mounted baseplate with 1/2 (13) dia. x 4 (100) st. stl "Rawl-spike" or approved equal



**SURFACE MOUNT DETAIL**

All dimensions are in inches (millimeters) unless otherwise noted.

01-01-97	RENUM. L-5.07, NEW REVISION BOX, REVISED	T.P.			
	TITLE BOX				
10-16-06	REVISED TO 2007 SPEC.	M.A.			
8-8-12	UPDATED NOTES	R.D.			

**STATE OF ILLINOIS  
DEPARTMENT OF TRANSPORTATION**

**BICYCLE RACK**

NOT TO SCALE

CADD STD. 660201-D4

F.A. RTE.	SECTION	COUNTY	TOTAL SHEETS	SHEET NO.
CONTRACT NO.				
FED. ROAD DIST. NO. ILLINOIS FED. AID PROJECT				