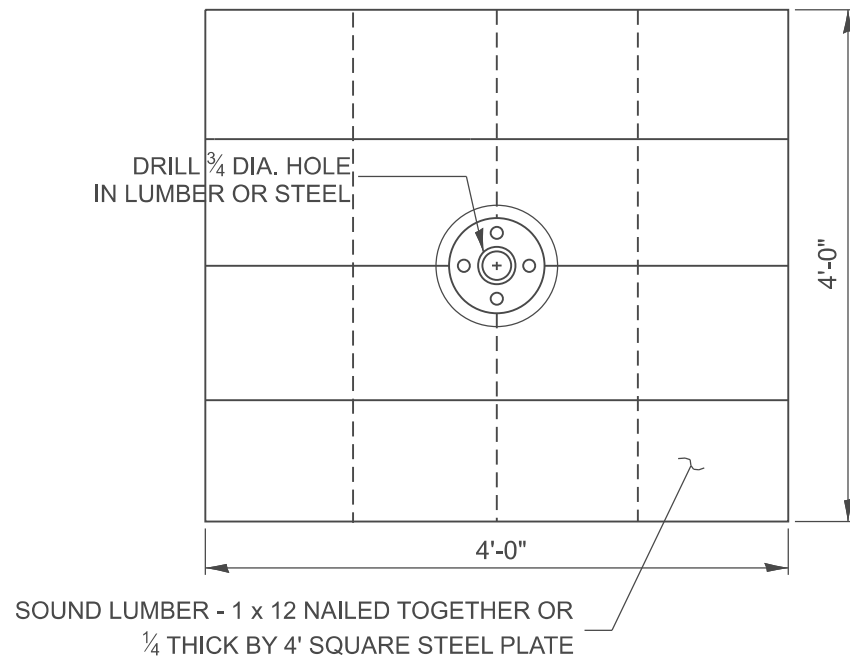
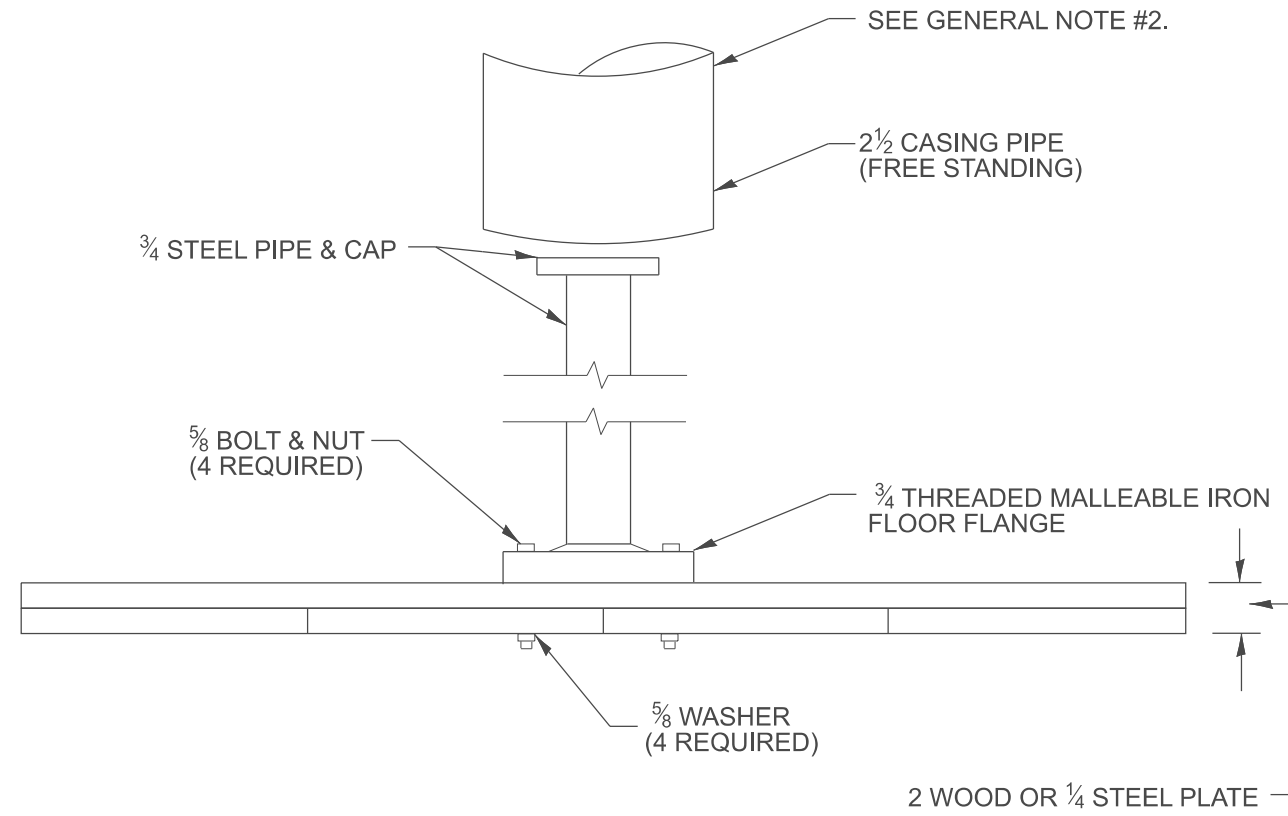


DESIGNER NOTES:
 1. SEE SOILS REPORT AND BUREAU OF MATERIALS FOR USAGE, LOCATIONS, AND SETTLEMENT RATES.
 2. CONSIDER USE ON BRIDGE EMBANKMENT AND OTHER SETTLEMENT SENSITIVE FILLS.
 3. THIS DRAWING ALLOWS FOR WOODBASE PLATE OPTION.

MODEL: D4-205101
 FILE NAME: c:\pwwork\pwwork\illinois.gov\thomas.cox\illinois.gov\td0559441D4-205101.dgn



GENERAL NOTES:

1. Settlement Platform shall be in accordance with the applicable portions of Article 204.06 of the Standard Specifications.
2. Do not install casing pipe until after one section of 3/4" has been covered with earth. The casing pipe should not rest on platform.

All dimensions are in inches unless otherwise noted.

USER NAME = thomas.cox	DESIGNED -	REVISED -
	DRAWN -	REVISED -
	CHECKED -	REVISED -
PLOT DATE = 11/11/2024	DATE -	REVISED -

**STATE OF ILLINOIS
 DEPARTMENT OF TRANSPORTATION**

SETTLEMENT PLATFORM

SCALE: NOT TO SCALE SHEET 000 OF SHEETS STA. TO STA.

F.A. RTE.	SECTION	COUNTY	TOTAL SHEETS	SHEET NO.
				0
DISTRICT 4 DETAIL NO. 205101		CONTRACT NO.		
ILLINOIS FED. AID PROJECT				