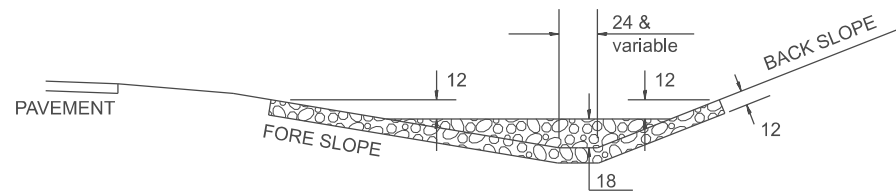
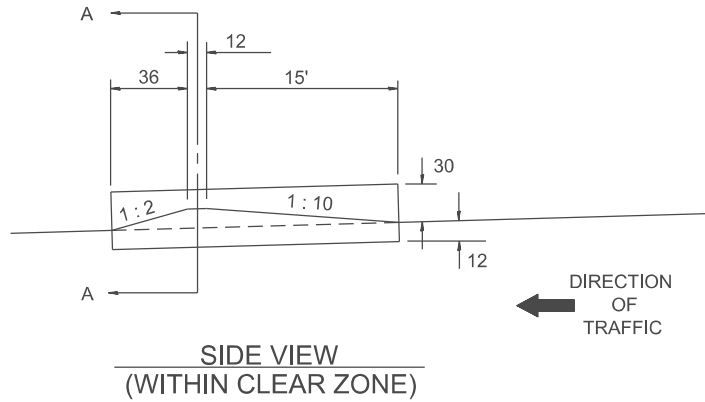


DESIGNER NOTES:
 1. Designer to modify this detail Special Detail Sheet, as needed, for inclusion in plans.
 2. Determine the required clear zone in order to select the berm slopes.
 3. Include State Standard 280001.

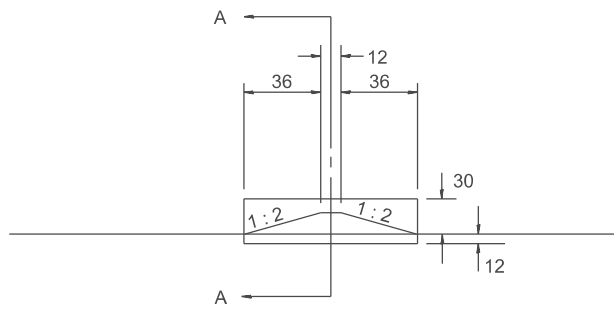
MODEL: SHT_PLAN
 FILE NAME: C:\Bentley\CONNECT\101\01\gis\hatch\ch\11001_Signatures\CA\11001_Sheets.dwg



SECTION A - A

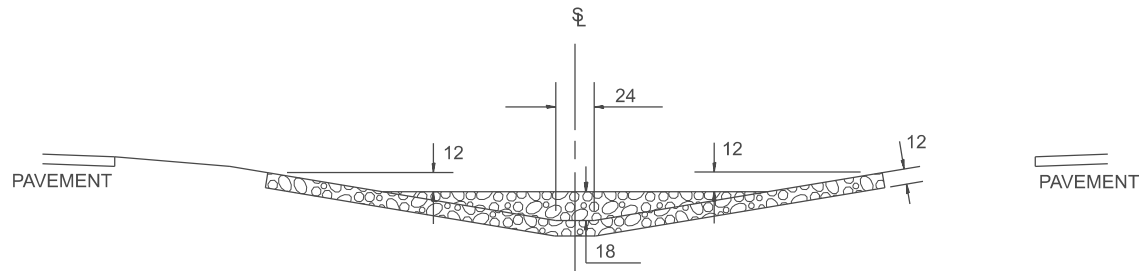


SIDE VIEW (WITHIN CLEAR ZONE)

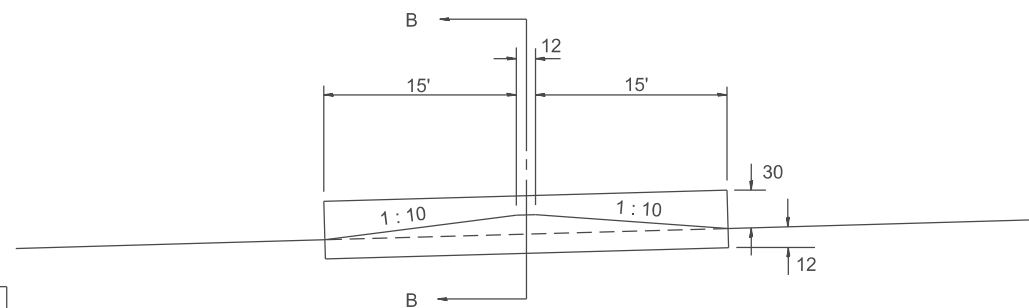


SIDE VIEW (OUTSIDE OF CLEAR ZONE)

SIDE DITCH AGGREGATE DITCH CHECK



SECTION B - B



SIDE VIEW

MEDIAN AGGREGATE DITCH CHECK

NOTES:

- FOR DITCH BOTTOM PROTECTED BY EROSION CONTROL BLANKET, USE 400' SPACING. FOR SEEDED DITCH BOTTOM, USE 200' SPACING.
- THIS WORK CONSISTS OF THE COMPLETE INSTALLATION OF EROSION CONTROL DITCH CHECK AT LOCATIONS AS SHOWN ON THE PLANS, OR AS DIRECTED BY THE ENGINEER. THE AGGREGATE GRADATION SHALL BE RR3 WITH A MINIMUM QUALITY OF CLASS B.

STATION	LOCATION		NUMBER OF DITCH CHECKS	FORE SLOPE	DITCH BOTTOM WIDTH	BACK SLOPE	BERM SLOPE
	MEDIAN	SIDE DITCH (LEFT/RIGHT)					

ESTIMATE QUANTITIES

	FORE SLOPE	DITCH BOTTOM	BACK SLOPE	BERM SLOPE	AGGREGATE DITCH CHECK EROSION CONTROL TON
MEDIAN DITCH	1:6	24	—	1:10	95
SIDE DITCH	1:6	24	1:4	1:10 & 1:2	50
SIDE DITCH	1:6	24	1:4	1:2 & 1:2	19
SIDE DITCH	1:4	24	1:3	1:10 & 1:2	18
SIDE DITCH	1:4	24	1:3	1:2 & 1:2	14

All slope ratios are expressed as units of vertical displacement to units of horizontal displacement (V:H).
 All dimensions are in inches unless otherwise noted.

QUANTITIES	
CALC. BY:	DATE:
CHECKED BY:	DATE:
QUANTITY CALCULATIONS ARE ON FILE AT THE DISTRICT 4 OFFICE; BUREAU OF PROJECT IMPLEMENTATION; DOCUMENTATION SECTION	

USER NAME = Eric.Thomas	DESIGNED -	REVISED -
	DRAWN -	REVISED -
	CHECKED -	REVISED -
PLOT DATE = 12/7/2022	DATE -	REVISED -

**STATE OF ILLINOIS
 DEPARTMENT OF TRANSPORTATION**

EROSION CONTROL AGGREGATE DITCH CHECK

SCALE: NOT TO SCALE SHEET OF SHEETS STA. TO STA.

F.A. RTE.	SECTION	COUNTY	TOTAL SHEETS	SHEET NO.
DISTRICT 4 DETAIL NO. 280101			CONTRACT NO.	
ILLINOIS FED. AID PROJECT				