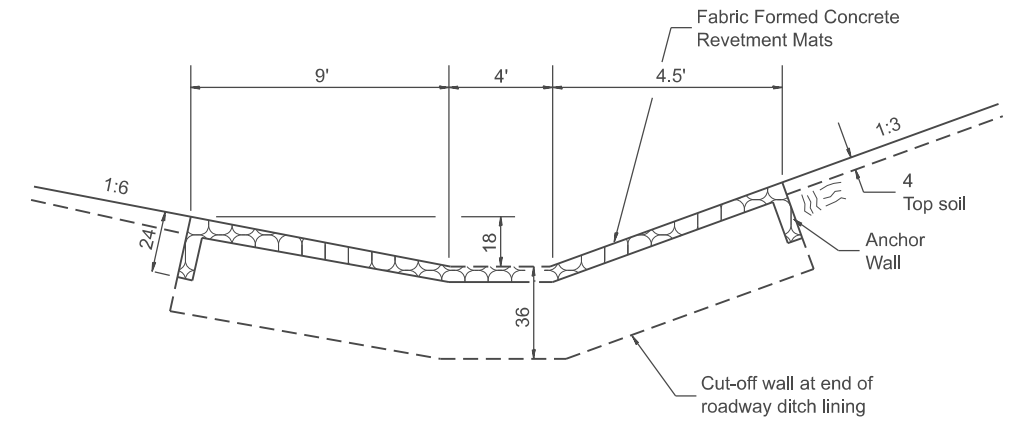
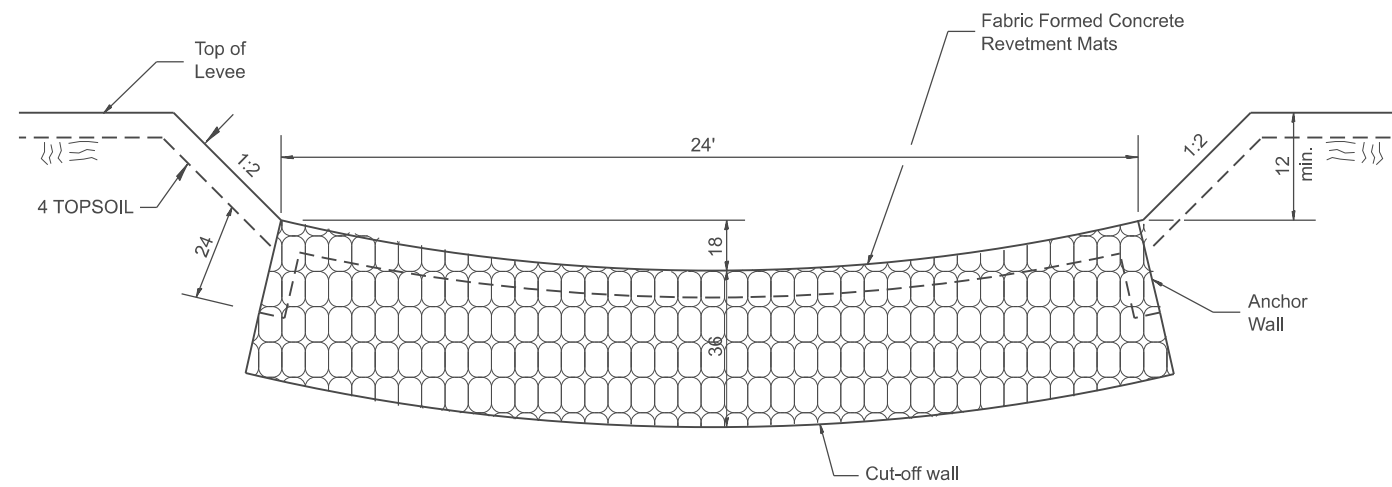


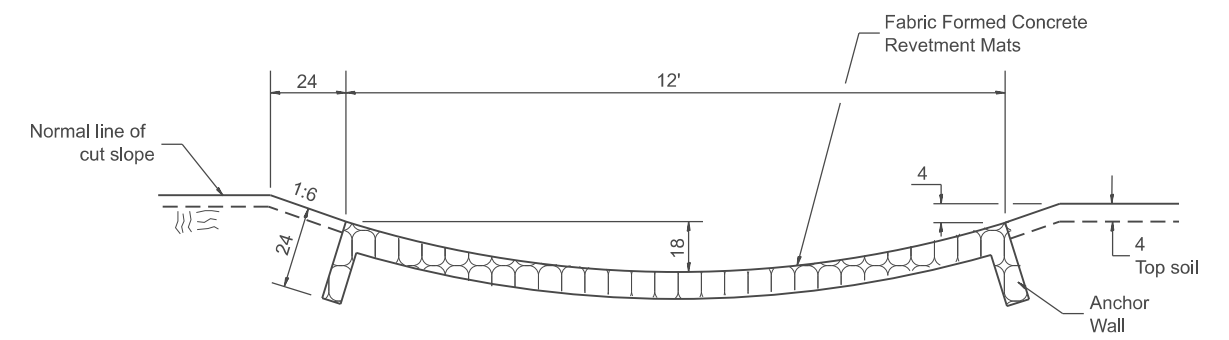
SECTION A-A



SECTION B-B



SECTION C-C



SECTION D-D

All slope ratios are expressed as units of vertical displacement to units of horizontal displacement (V:H).  
 All dimensions are in inches unless otherwise noted.

MODEL: D4-285101-02  
 FILE NAME: c:\p\work\water\illinois.gov\thomas.cox\id1055944\D4-285101.dgn

USER NAME = thomas.cox	DESIGNED -	REVISED -
	DRAWN -	REVISED -
	CHECKED -	REVISED -
PLOT DATE = 11/11/2024	DATE -	REVISED -

STATE OF ILLINOIS  
 DEPARTMENT OF TRANSPORTATION

<b>WATERWAY EROSION CONTROL, UPSTREAM TREATMENT, FABRIC FORMED CONCRETE REVETMENT MATS</b>			
SCALE: NOT TO SCALE	SHEET 0002	OF 2 SHEETS	STA. TO STA.

F.A. RTE.	SECTION	COUNTY	TOTAL SHEETS	SHEET NO.
				0
DISTRICT 4 DETAIL NO. 285101		CONTRACT NO.		
ILLINOIS FED. AID PROJECT				