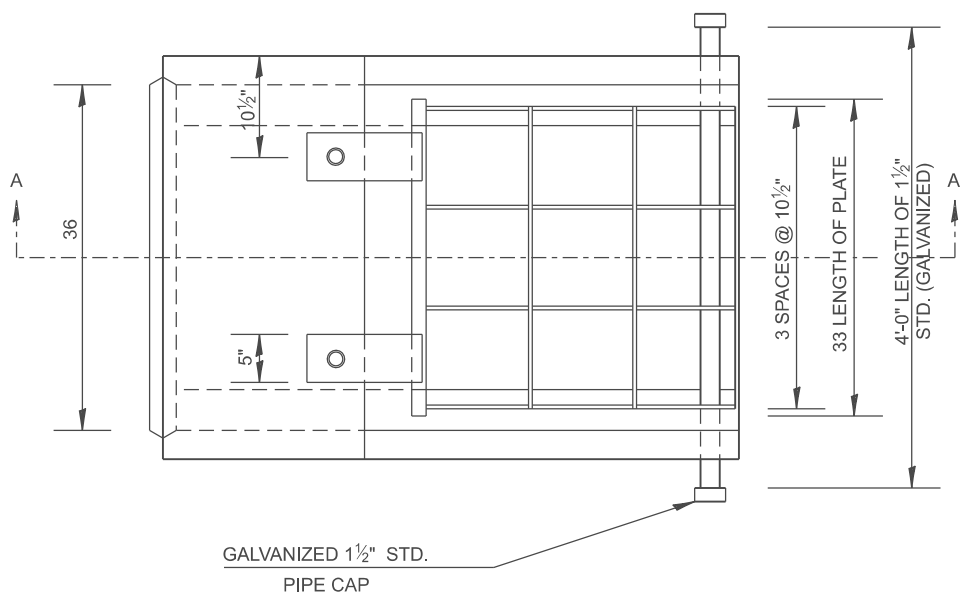
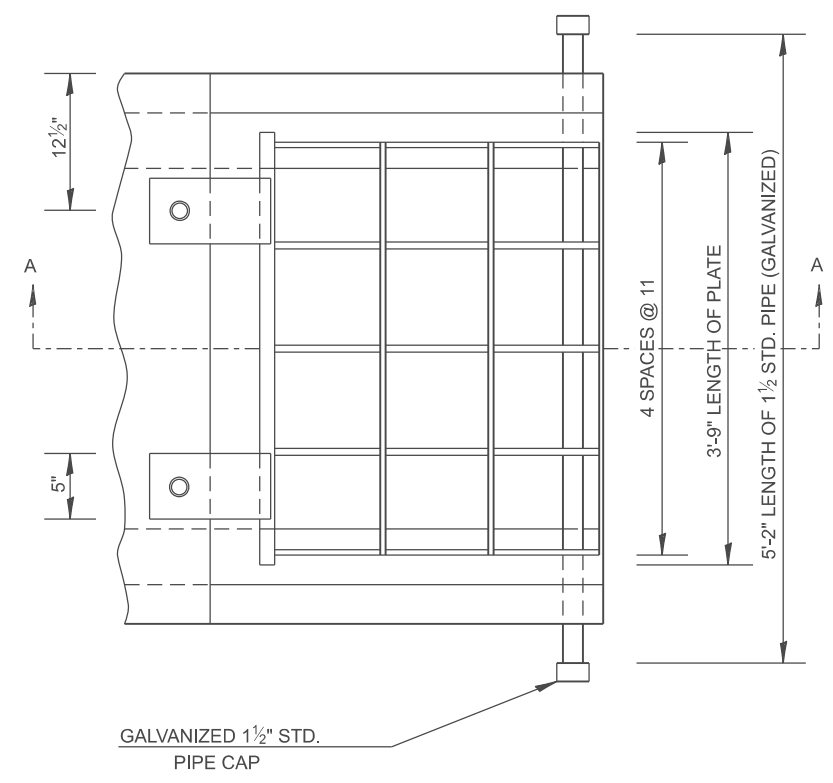


DESIGNER NOTES:
 1. ADD DISTRICT SPECIAL PROVISION: THE CONTRACT UNIT PRICE "EACH" FOR GRATING FOR PRECAST CONCRETE CONCRETE BOX CULVERT END SECTION OF THE SIZE INDICATED SHALL INCLUDE FABRICATION AND INSTALLATION OF THE GRATING AS DETAILED HEREON, IT SHOULD ALSO INCLUDE THE FABRICATION OF THE NECESSARY MOUNTING HOLES IN THE END SECTION. THE COST OF THE PRECAST CONCRETE BOX CULVERT END SECTION SHALL BE PAID FOR SEPARATELY.

MODEL: SHT_PLAN
 FILE NAME: C:\Bentley\CONNECT101\Organization\Chiril\DWG\36x36x4x4\Grating.dwg



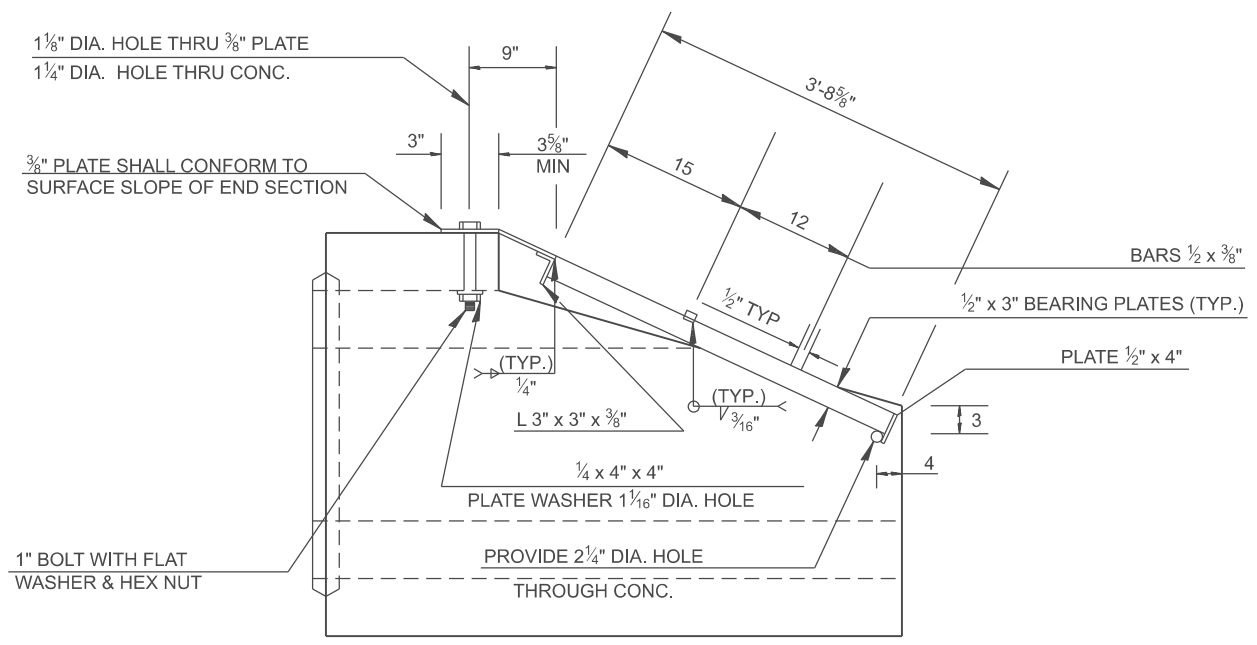
PLAN 36 x 36



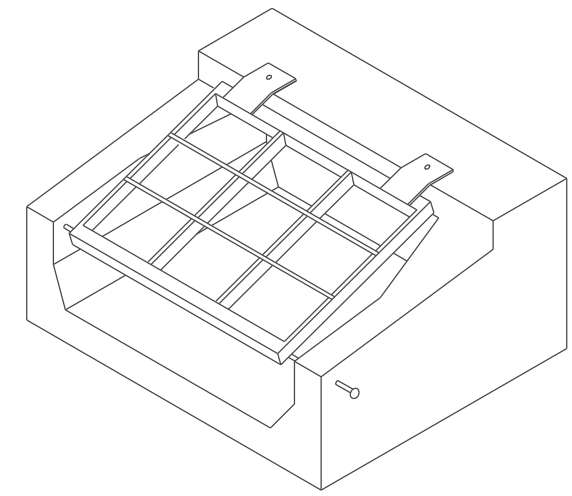
PLAN 4' x 4'

GENERAL NOTES:

1. Grating details shown are intended for use with particular sizes of Precast Concrete Box Culvert End Sections.
2. Structural Steel Shapes and Plates shall be in accordance with Article 1006.04 of the Standard Specifications. Galvanized Steel Pipe shall be in accordance with Article 1006.27 (b) of the Standard Specifications.
3. Bolts, Nuts, and Washers shall be in accordance with Article 1006.27 (f) of the Standard Specifications. All Fabrication shall be completed and ready for assembly before galvanizing.
4. Holes in the Precast Concrete Box Culvert End Section shall be cored to the diameter noted. If cone-out on the other end of the hole occurs, the hole shall be filled with Grout to correct the diameter of the hole.



SECTION A - A



ISOMETRIC VIEW

All dimensions are in inches unless otherwise noted.

USER NAME = Eric.Thomas	DESIGNED -	REVISED -
	DRAWN -	REVISED -
	CHECKED -	REVISED -
PLOT DATE = 12/7/2022	DATE -	REVISED -

STATE OF ILLINOIS
 DEPARTMENT OF TRANSPORTATION

GRATING FOR PRECAST BOX CULVERT END SECTION FOR
 36 X 36 & 4' X 4' BOXES

SCALE: NOT TO SCALE SHEET OF SHEETS STA. TO STA.

F.A. RTE.	SECTION	COUNTY	TOTAL SHEETS	SHEET NO.
DISTRICT 4 DETAIL NO. 540301		CONTRACT NO.		
ILLINOIS FED. AID PROJECT				