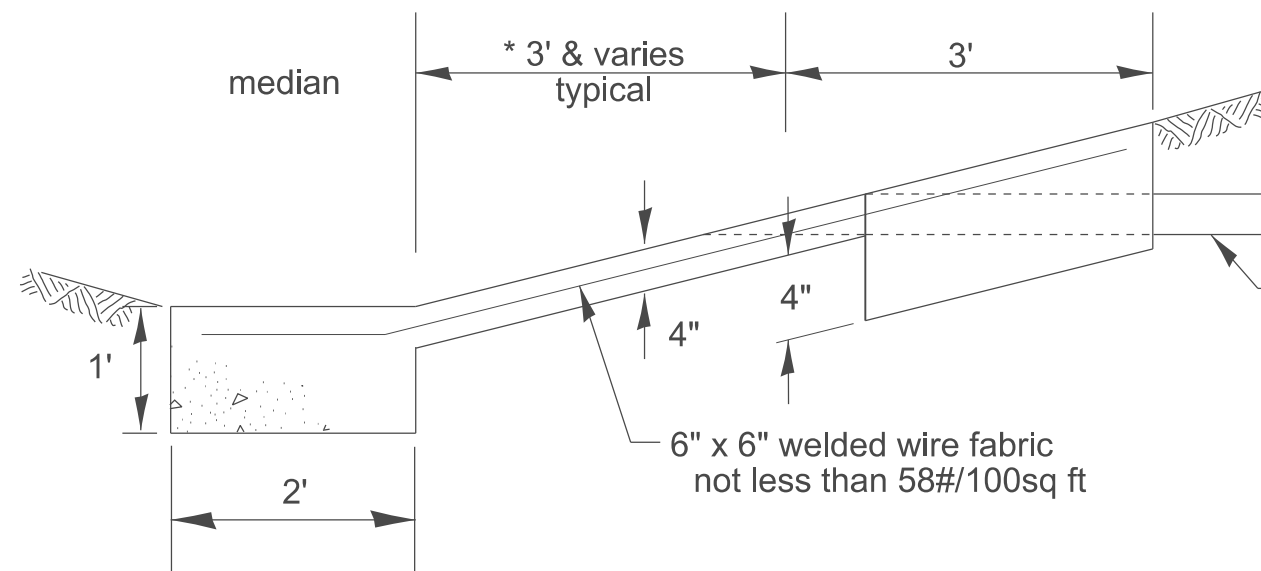


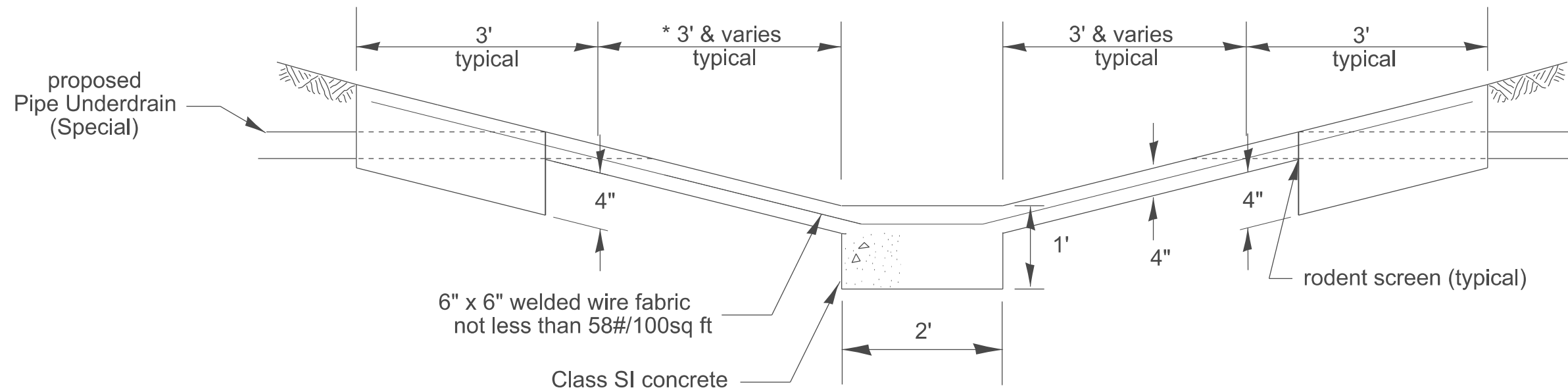
* Varies at all locations where the outlet is within 3 feet of the ditch flow line.



proposed Pipe Underdrain (Special)

6" x 6" welded wire fabric not less than 58#/100sq ft

Type II



proposed Pipe Underdrain (Special)

6" x 6" welded wire fabric not less than 58#/100sq ft

Class SI concrete

rodent screen (typical)

Type III

All dimensions are in inches unless otherwise noted.

MODEL: SHT_PLAN
FILE NAME: C:\Bentley\CONNECT\10110\Organization\Chil\DOT_Standards\Civil\DOT_Sheets.cad

USER NAME = Eric.Thomas	DESIGNED -	REVISED -
	DRAWN -	REVISED -
	CHECKED -	REVISED -
PLOT DATE = 12/7/2022	DATE -	REVISED -

STATE OF ILLINOIS
DEPARTMENT OF TRANSPORTATION

UNDERDRAIN OUTLET PROTECTION

SCALE: NOT TO SCALE SHEET 2 OF 2 SHEETS STA. TO STA.

F.A. RTE.	SECTION	COUNTY	TOTAL SHEETS	SHEET NO.
DISTRICT 4 DETAIL NO. 601001		CONTRACT NO.		
ILLINOIS FED. AID PROJECT				