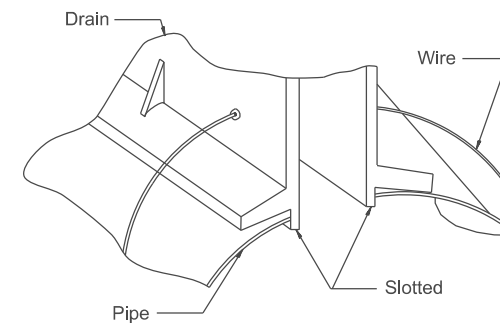
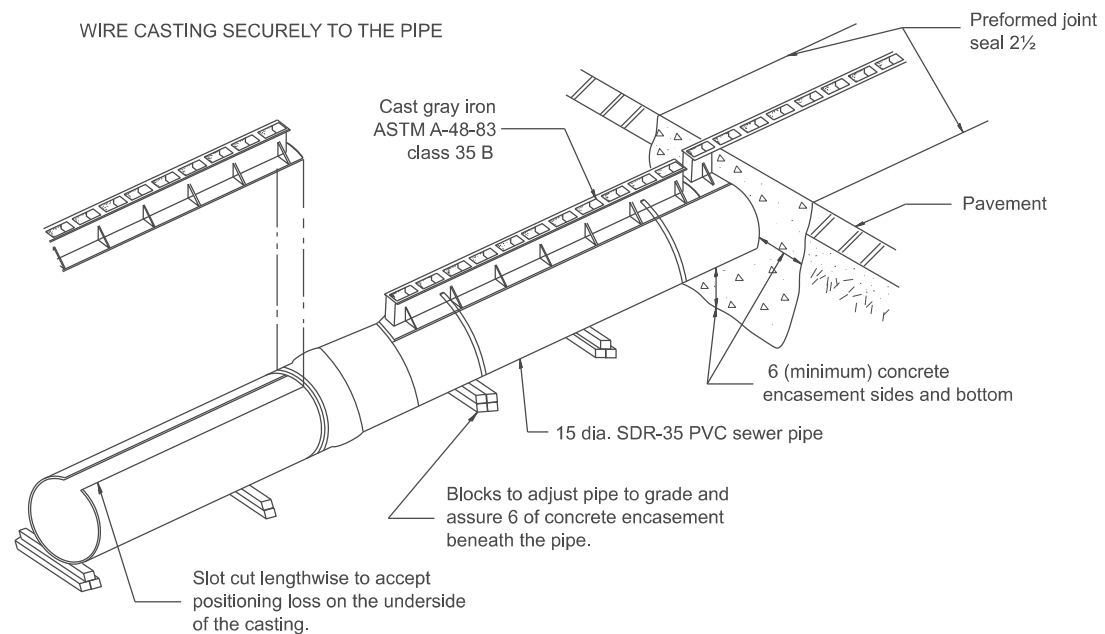
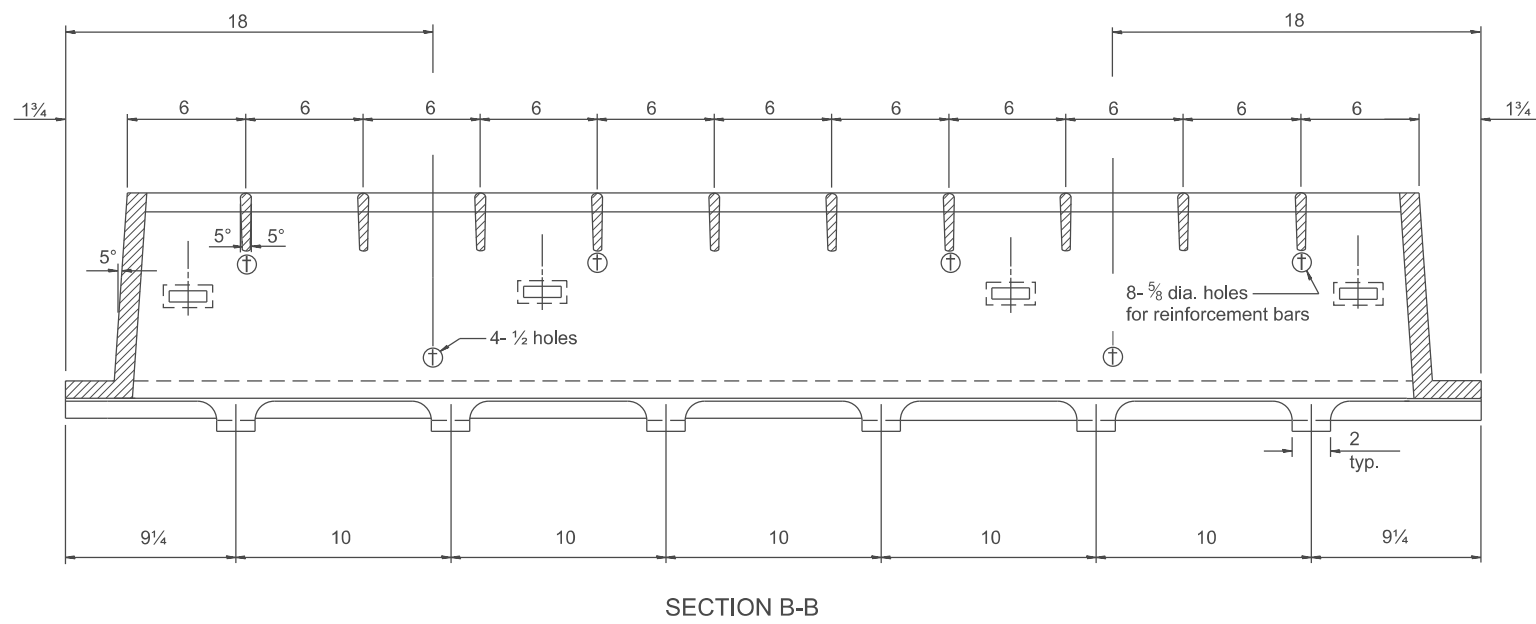
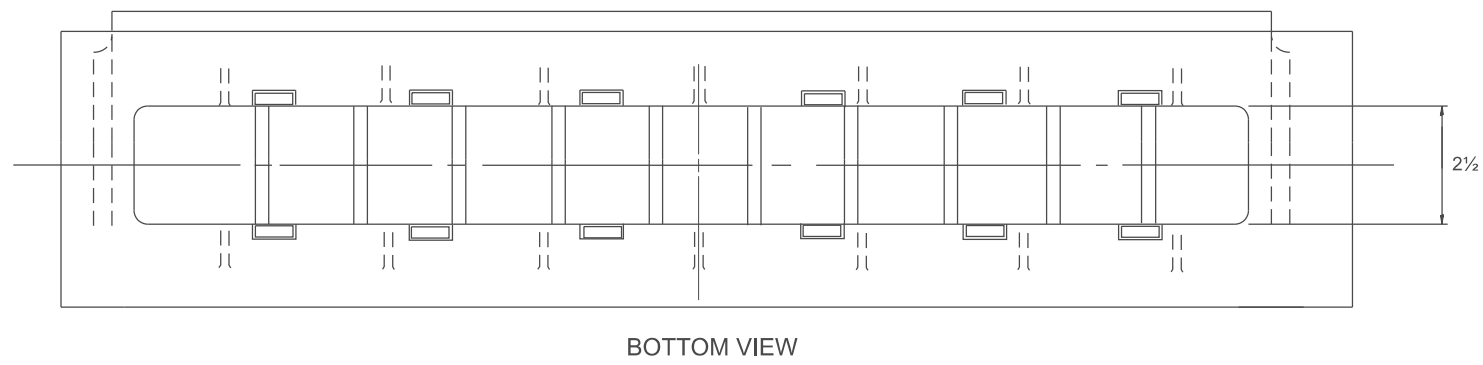
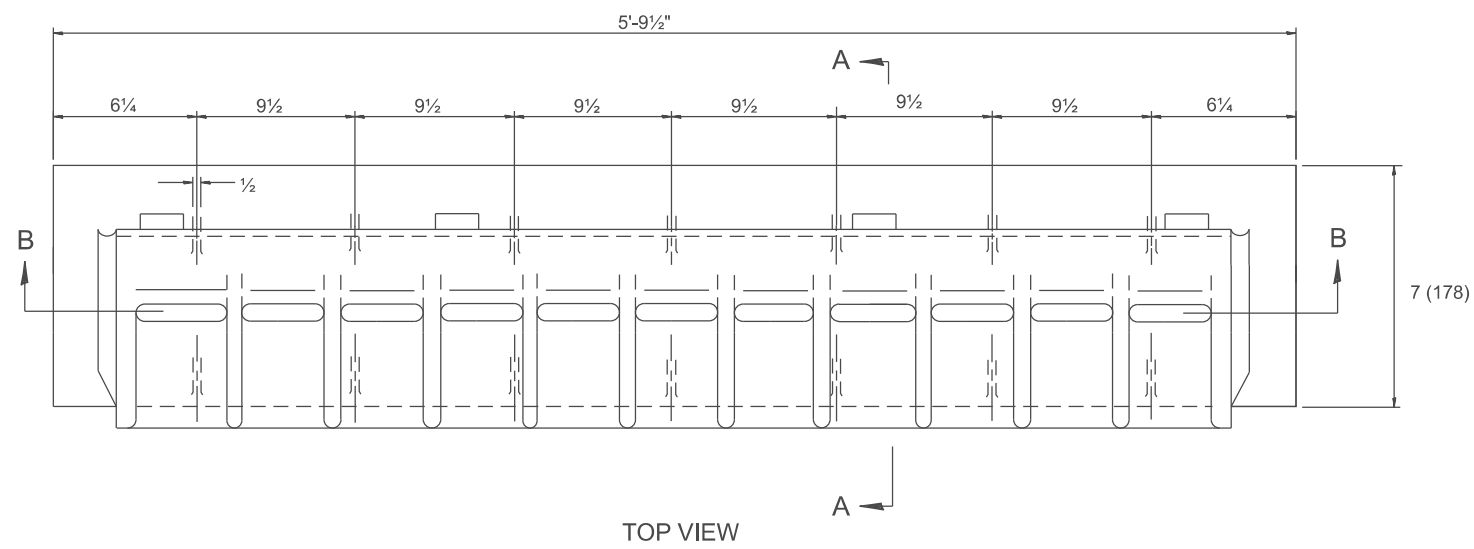
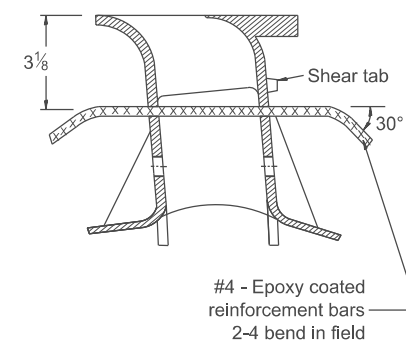
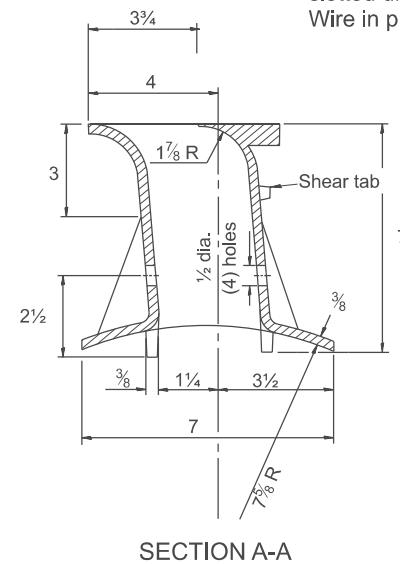


Designer Notes: MODEL: SH_T_111111 This drawing is based upon a 1985 Neenah drawing (New Products D -0002). Contact Neenah for new shop drawing prior to inclusion in plans. FILE NAME: C:\Bentley\CONNECT101\Organizer\ChilIDOT_Standards\CatIDOT_Sheets.cat



NOTE:
 Saw slot in pipe. Insert slotted drain in pipe. Wire in place.



All dimensions are in inches unless otherwise noted.

USER NAME = Eric.Thomas	DESIGNED -	REVISED -
	DRAWN -	REVISED -
	CHECKED -	REVISED -
PLOT DATE = 12/7/2022	DATE -	REVISED -

STATE OF ILLINOIS
DEPARTMENT OF TRANSPORTATION

SLOTTED VANE DRAIN

SCALE: NOT TO SCALE SHEET OF SHEETS STA. TO STA.

F.A. RTE.	SECTION	COUNTY	TOTAL SHEETS	SHEET NO.
DISTRICT 4 DETAIL NO. 601701		CONTRACT NO.		
ILLINOIS FED. AID PROJECT				