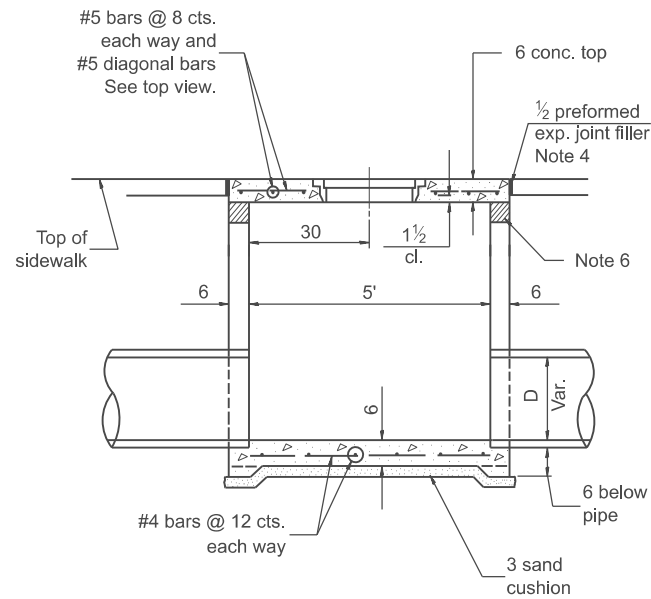


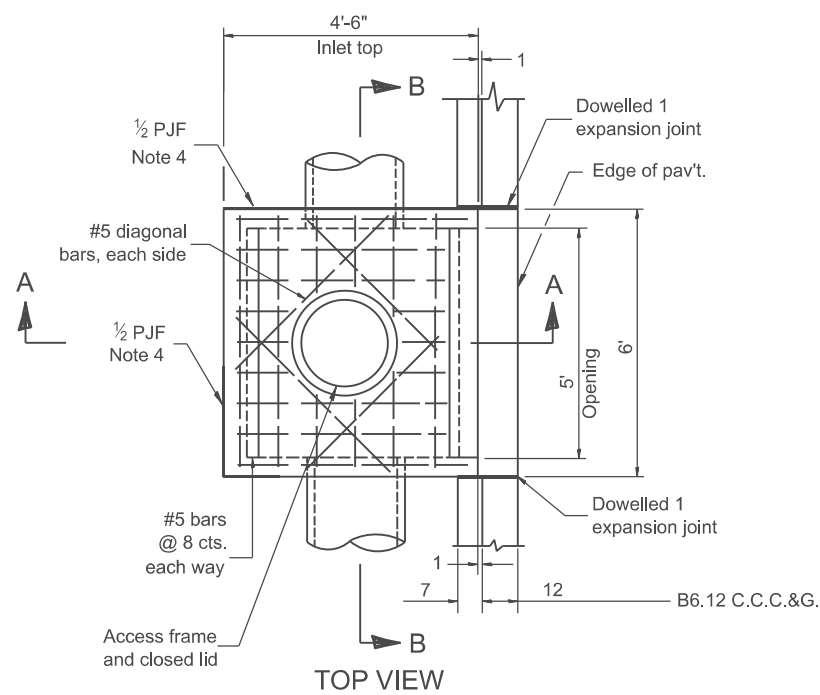
SECTION A-A



SECTION B-B

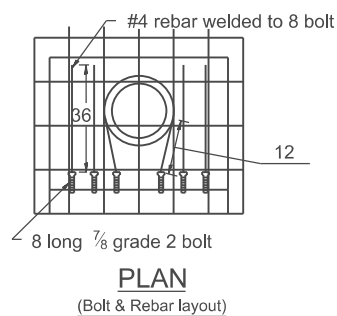
GENERAL NOTES

- Class PC concrete for precast concrete and CLASS SI CONCRETE for cast-in-place concrete used throughout.
- The sidewalls may be built as precast segmental sections.
- Except as noted herein, INLET SPECIAL TYPE 1, TYPE 2, AND, TYPE 3 shall be constructed in accordance with section 602 of the Standard Specifications.
- 1/2 preformed expansion joints shall be provided on sides of inlet adjacent to sidewalks or other structures. (See section 1051)
- Curb opening inlet frame, and access frame and lid shall be cast gray iron and conform to A48-83 class 35B
Approximate weight:
Curb opening inlet frame: 100lbs/30 section
Access frame and lid: 160 lbs./ casting.
- The height of the box may be constructed 6 short to allow for field adjustment. The wall adjustments shall be made with concrete building brick or CLASS SI CONCRETE. (See article 1041.02 and applicable portions of section 503).



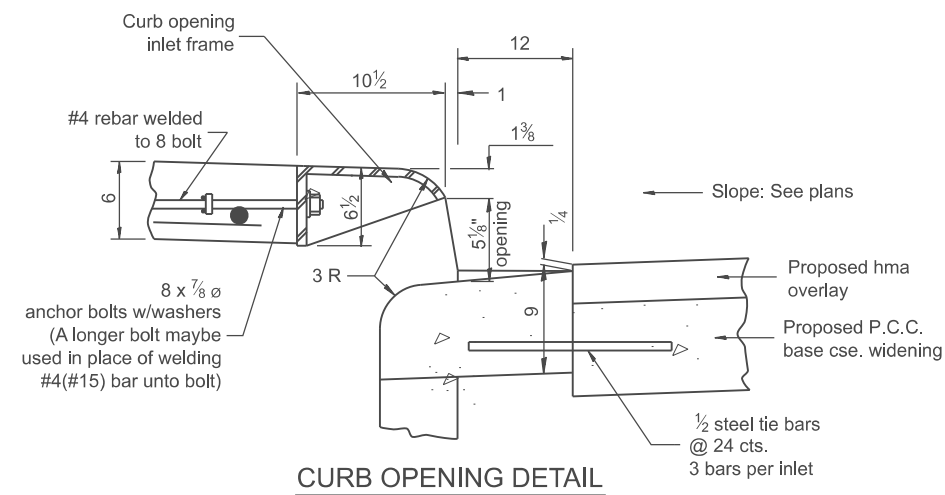
INLET SPECIAL TYPE 1

Front Opening
4'-6" Top

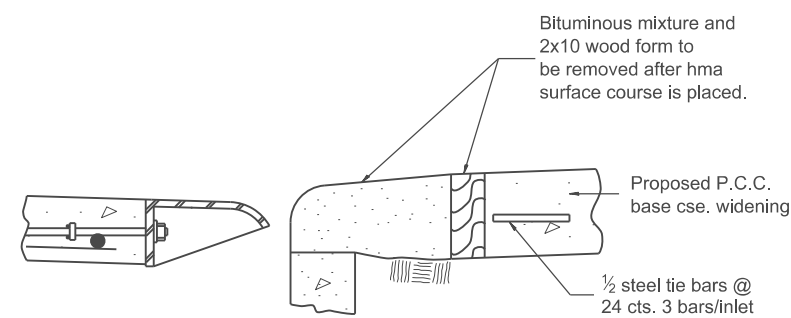


PLAN

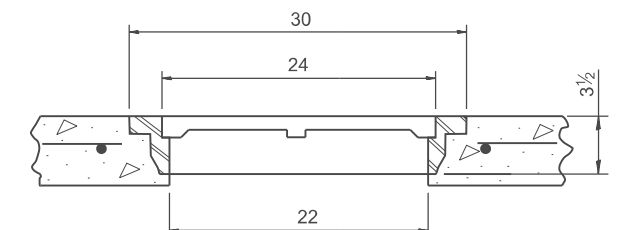
(Bolt & Rebar layout)



CURB OPENING DETAIL



CURB OPENING DETAIL
FOR TEMPORARY PAVEMENT DRAINAGE



ACCESS FRAME & LID
DETAIL

DESIGNER NOTES:
1. Include District Special Provision.
2. This is a special use item. Check with your Project Engineer before using (Problematic Design).
3. Based upon a "Palder Precast Concrete, Inc." Design
MODEL: D4-602201-01
FILE NAME: c:\pwworking\illinois.gov\thomas.cox\illinois.gov\id10559441D4-602201.dgn

USER NAME = thomas.cox	DESIGNED -	REVISED -
	DRAWN -	REVISED -
	CHECKED -	REVISED -
PLOT DATE = 11/11/2024	DATE -	REVISED -

STATE OF ILLINOIS
DEPARTMENT OF TRANSPORTATION

INLET SPECIAL TYPES 1, 2 & 3

SCALE: NOT TO SCALE SHEET 0001 OF 2 SHEETS STA. TO STA.

All dimensions are in inches unless otherwise noted.

F.A. RTE.	SECTION	COUNTY	TOTAL SHEETS	SHEET NO.
				0
DISTRICT 4 DETAIL NO. 602201			CONTRACT NO.	
ILLINOIS FED. AID PROJECT				