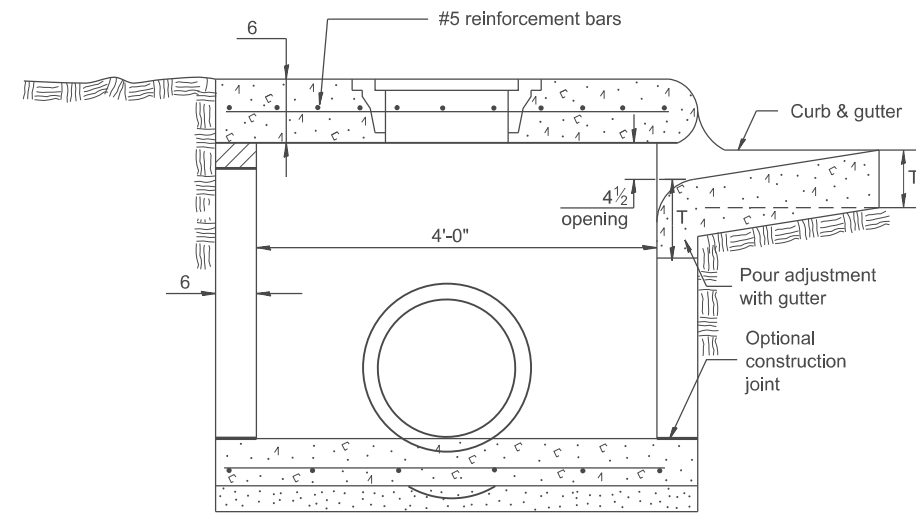


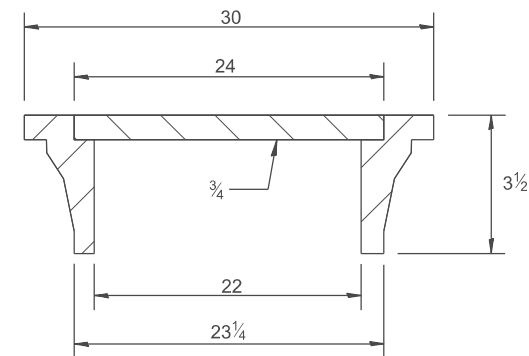
TOP VIEW

When inlet is constructed in return, the top slab shall conform to the radius of the return.

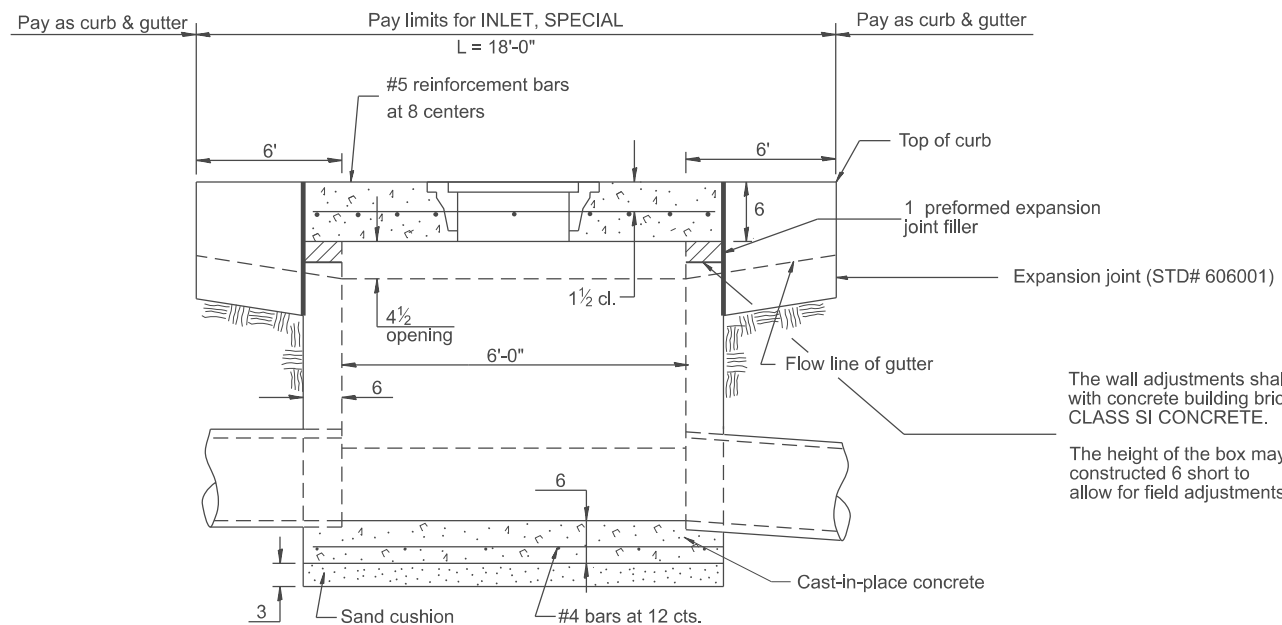


SECTION A-A

LIGHT WEIGHT MANHOLE CASTING



TYPE 5 MODIFIED FRAME, CLOSED LID



FRONT VIEW

The wall adjustments shall be made with concrete building brick or CLASS SI CONCRETE.

The height of the box may be constructed 6 short to allow for field adjustments.

NOTES

- The inlet shall be cast-in-place or precast. Except as noted herein INLET,SPECIAL shall be constructed in accordance with Section 602 of the Standard Specifications.

All dimensions are in inches unless otherwise noted.

Designer Notes:
 1. Include STD# 604021 "BASE, FRAME & LIDS TYPE 5".
 2. Include STD# 606001 for c.c.&g. details.
 3. Include STD# 420001 for pavement joints.
 4. Frame and lid based upon NEENAH R-6040
 5. Include District Special Provision. Pay item includes transitional c.c.&g., inlet and frame and grate. All work within pay limits.
 MODEL: SHT_PLAN
 FILE NAME: C:\Bentley\CONNECT101\Organization\Chilidot_Standards\CallIDOT_Sheets.ctb

USER NAME = Eric.Thomas	DESIGNED -	REVISED -
	DRAWN -	REVISED -
	CHECKED -	REVISED -
PLOT DATE = 12/7/2022	DATE -	REVISED -

STATE OF ILLINOIS
 DEPARTMENT OF TRANSPORTATION

INLETS, SPECIAL WITH TYPE 5 MODIFIED FRAME, CLOSED LID

SCALE: NOT TO SCALE SHEET OF SHEETS STA. TO STA.

F.A. RTE.	SECTION	COUNTY	TOTAL SHEETS	SHEET NO.
DISTRICT 4 DETAIL NO. 602301		CONTRACT NO.		
ILLINOIS FED. AID PROJECT				