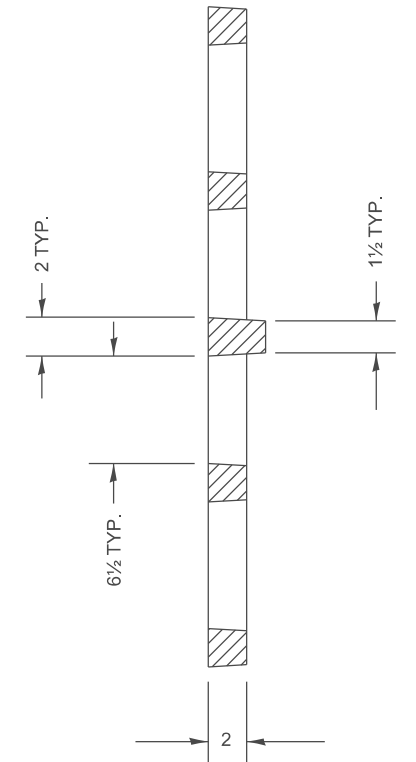
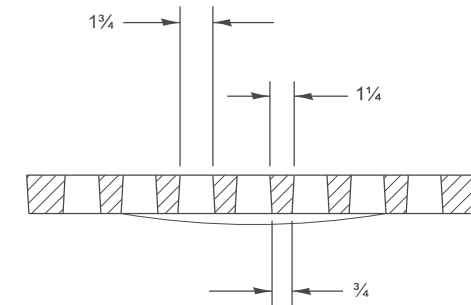
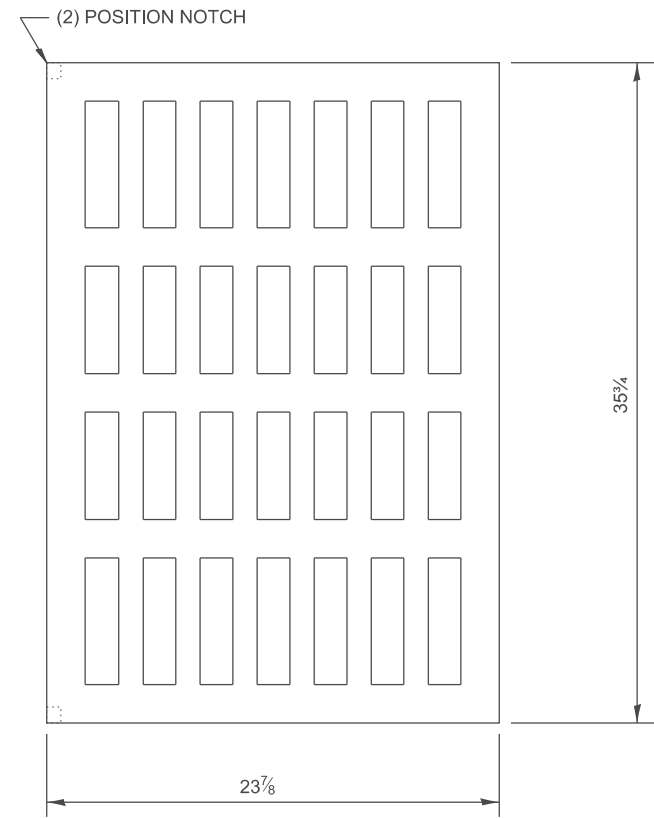
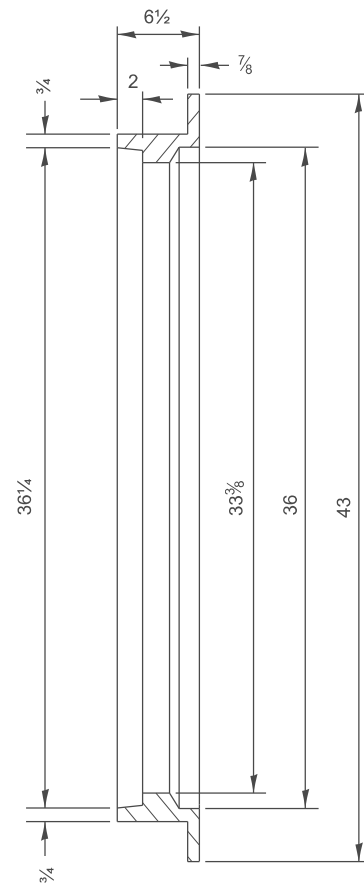
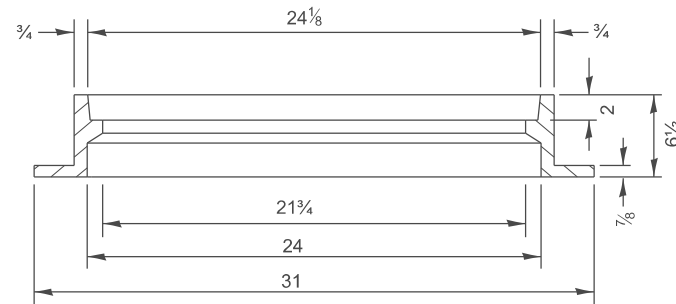
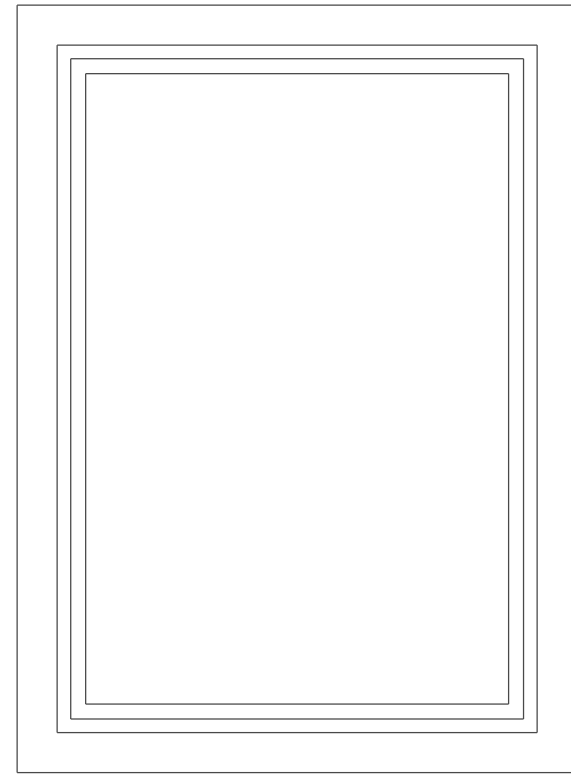


DESIGNER NOTES: 1. Include this standard District CADD Std. 602002-D4.  
 2. Frame & Grate included in cost of G-2 Inlet.  
 3. This drawing based upon "NEEMA" designs as follows: Inlet Frame: R-3454-B, Reversible Diagonal Grate: R-3246-A.  
 MODEL: SHT\_PLAN  
 FILE NAME: C:\Bentley\CONNECT101\organizer\Chillicothe\Chillicothe\Standards\CADD\DOT\_Sheets.scd



All dimensions are in inches unless otherwise noted.

USER NAME = Eric.Thomas	DESIGNED -	REVISED -
	DRAWN -	REVISED -
	CHECKED -	REVISED -
PLOT DATE = 12/7/2022	DATE -	REVISED -

STATE OF ILLINOIS  
 DEPARTMENT OF TRANSPORTATION

FRAME AND GRATES FOR TYPE G-2 DRAINAGE STRUCTURES

SCALE: NOT TO SCALE SHEET OF SHEETS STA. TO STA.

F.A. RTE.	SECTION	COUNTY	TOTAL SHEETS	SHEET NO.
	DISTRICT 4 DETAIL NO. 604002	CONTRACT NO.		
ILLINOIS FED. AID PROJECT				