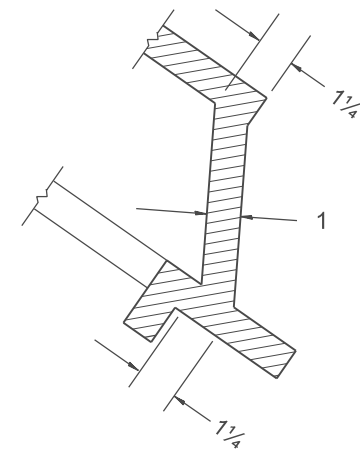
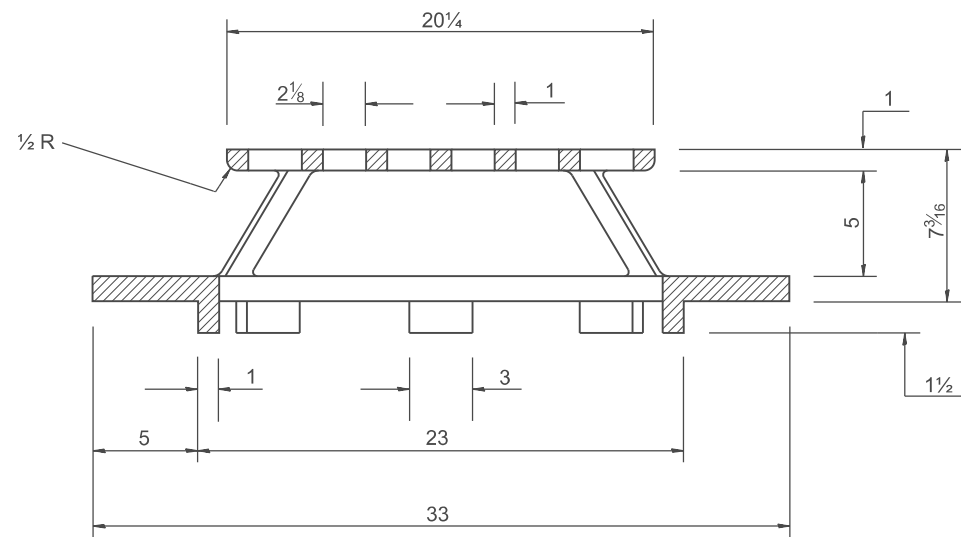


PLAN



SECTION B - B



SECTION A - A

GENERAL NOTES

1. MATERIAL - Cast Gray Iron  
Weight 209 lbs

All dimensions are in inches unless otherwise noted.

DESIGNER NOTE:  
 MODEL: SHT\_PLA&L INCLUDE DISTRICT SPECIAL PROVISION.  
 FILE NAME: C:\Bentley\CONNECT10110\organization\ChilidDOT\_Standards\CatIDDOT\_Sheets.dwg

USER NAME = Eric.Thomas	DESIGNED -	REVISED -
	DRAWN -	REVISED -
	CHECKED -	REVISED -
PLOT DATE = 12/7/2022	DATE -	REVISED -

STATE OF ILLINOIS  
DEPARTMENT OF TRANSPORTATION

TYPE 37 GRATE

SCALE: NOT TO SCALE SHEET OF SHEETS STA. TO STA.

F.A. RTE.	SECTION	COUNTY	TOTAL SHEETS	SHEET NO.
DISTRICT 4 DETAIL NO. 604301			CONTRACT NO.	
ILLINOIS FED. AID PROJECT				