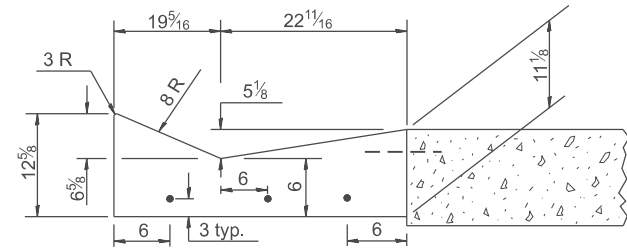
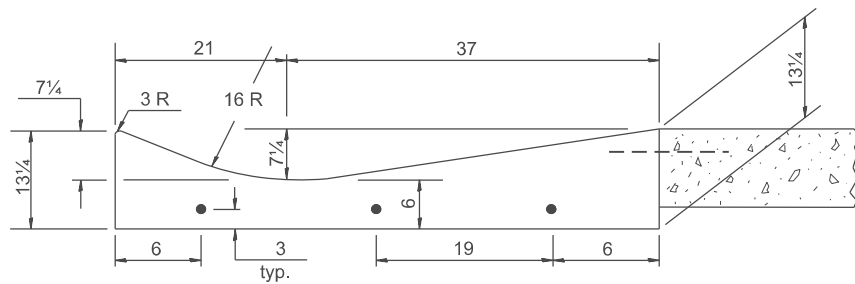


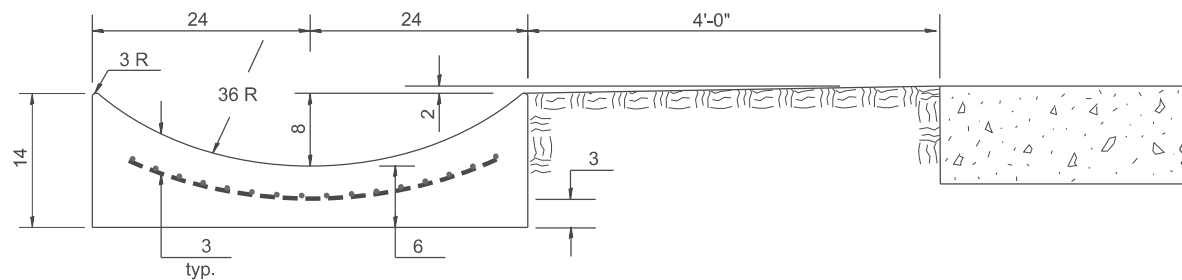
SECTION A-A



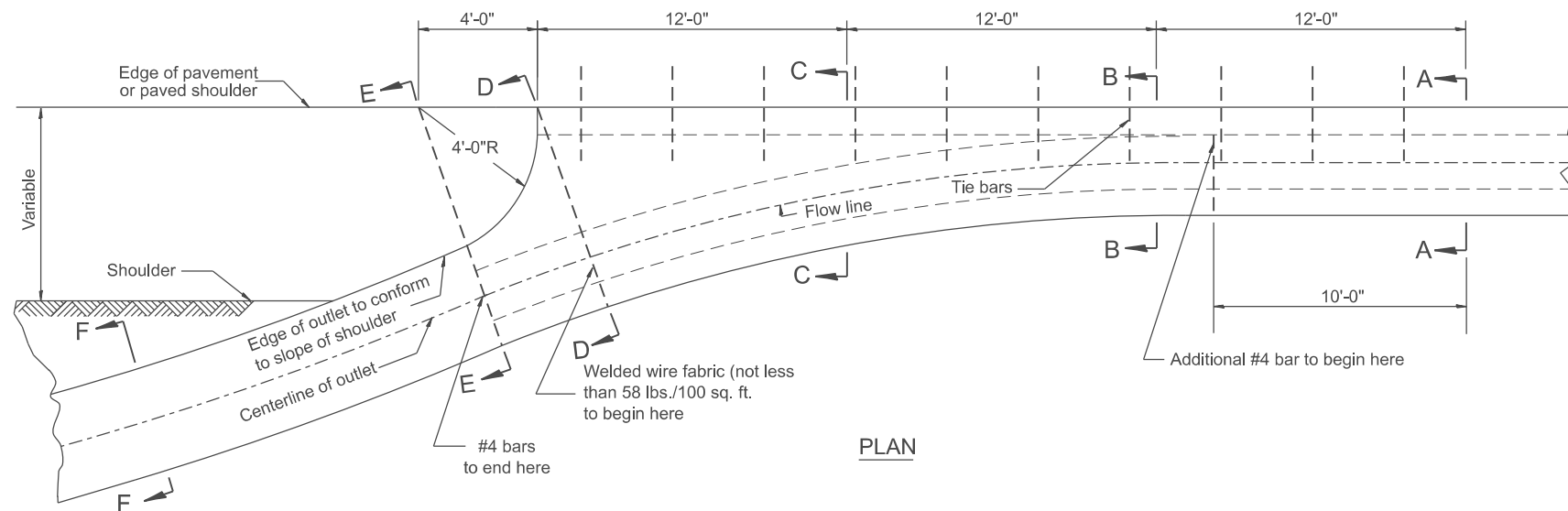
SECTION B-B



SECTION C-C



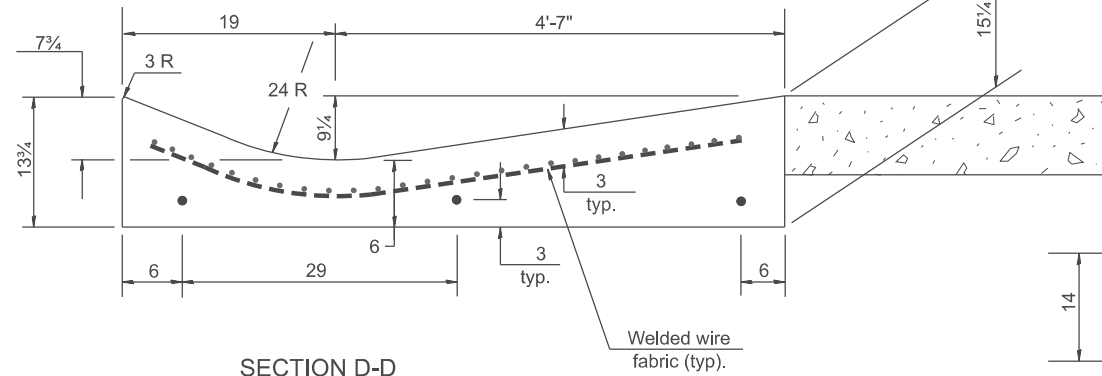
SECTION E-E



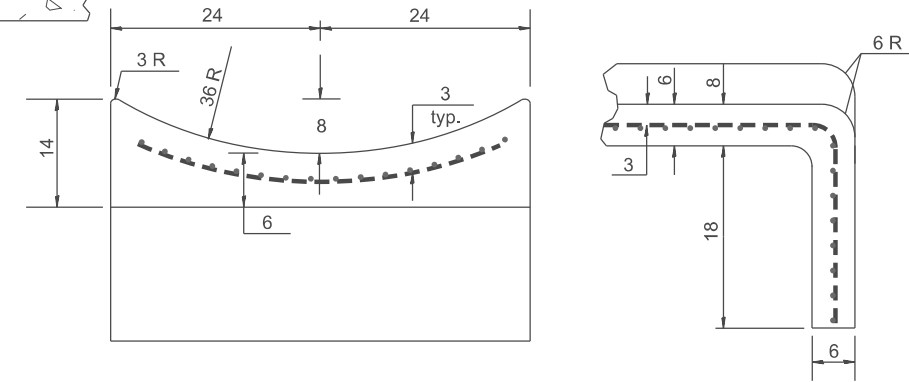
PLAN

**QUANTITY**  
 Section A-A to E-E = 4.5 cu. yd. concrete.  
 Section E-E to F-F = 0.10 cu. yd./ft. concrete.

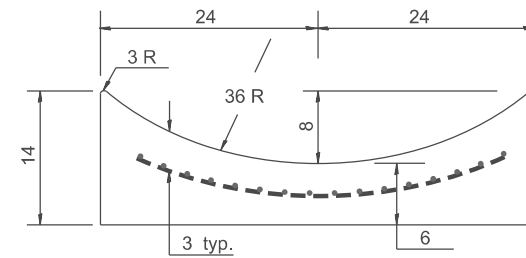
If the average grade of pavement for the distance from section A-A to section D-D exceeds 2%, this distance shall be increased 6 ft. for each 1% increase in grade. A quantity adjustment is required.



SECTION D-D



SECTIONS AT END OF OUTLET  
(CURTAIN WALL)



SECTION F-F

**QUANTITY**  
 Curtain Wall = 0.1 cu. yd. concrete.

OUTLET

**QUANTITIES**

CALC. BY: \_\_\_\_\_ DATE: \_\_\_\_\_  
 CHECKED BY: \_\_\_\_\_ DATE: \_\_\_\_\_

QUANTITY CALCULATIONS ARE ON FILE AT THE DISTRICT 4 OFFICE; BUREAU OF PROJECT IMPLEMENTATION; DOCUMENTATION SECTION

USER NAME = Eric.Thomas	DESIGNED -	REVISED -
	DRAWN -	REVISED -
	CHECKED -	REVISED -
PLOT DATE = 12/7/2022	DATE -	REVISED -

STATE OF ILLINOIS  
 DEPARTMENT OF TRANSPORTATION

CONCRETE GUTTER, TYPE A, (SPECIAL)  
 (INLET, OUTLET & ENTRANCE)

SCALE: NOT TO SCALE SHEET 2 OF 3 SHEETS STA. TO STA.

All dimensions are in inches unless otherwise noted.

F.A. RTE.	SECTION	COUNTY	TOTAL SHEETS	SHEET NO.
DISTRICT 4 DETAIL NO. 606101		CONTRACT NO.		
ILLINOIS FED. AID PROJECT				

MODEL: SHT\_PLAN  
 FILE NAME: C:\Bentley\CONNECT\10110\Organization\Chilidiot\_Standards\Civil\DOT\_Sheets.dwg