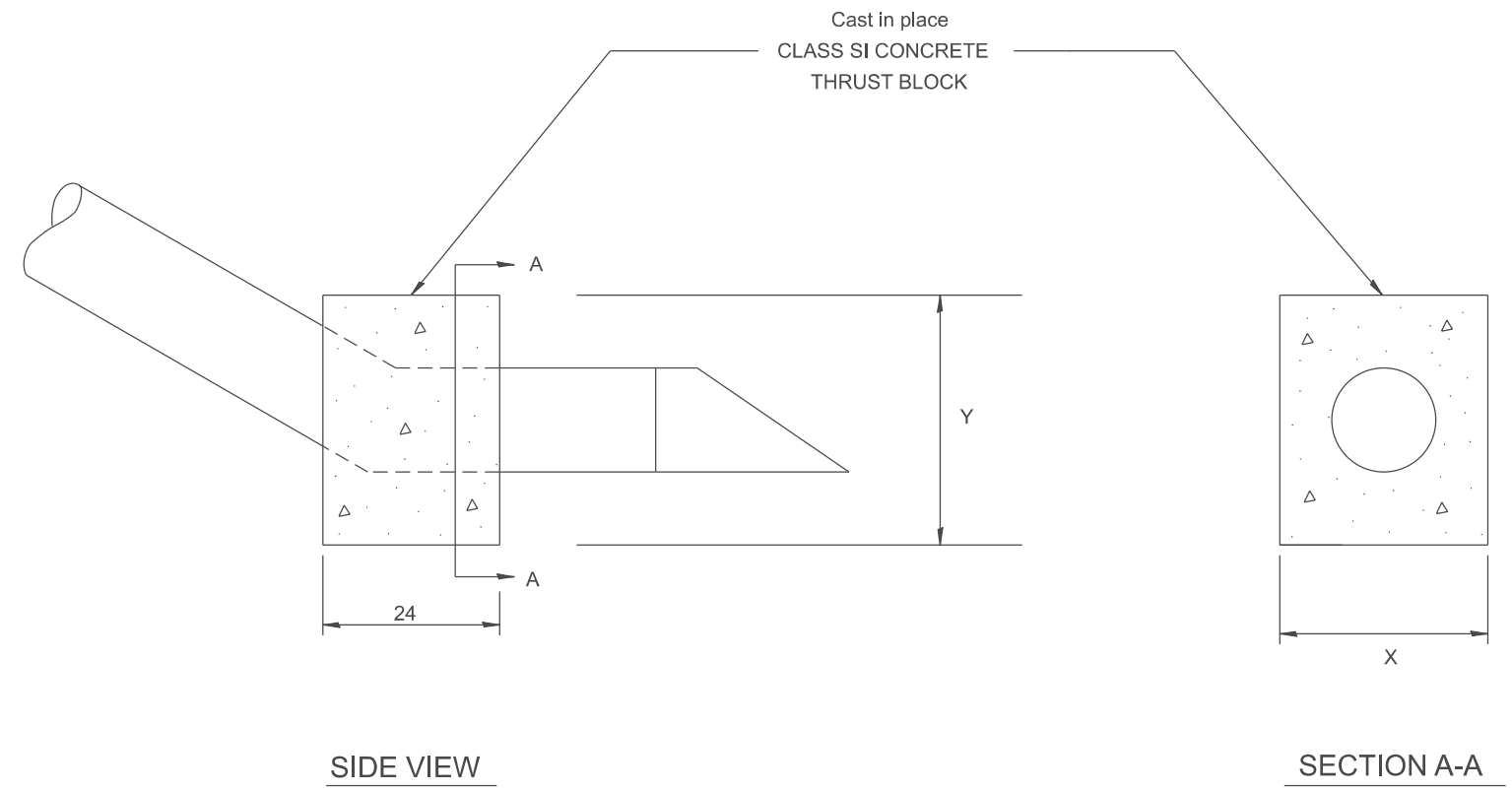


DESIGNER NOTES:
 1. A THRUST BLOCK SHALL BE INSTALLED WHEN THE DIFFERENCE BETWEEN THE UPSTREAM AND DOWNSTREAM INVERT ELEVATIONS EXCEEDS 36 AND GRADE EXCEEDS 10%.
 2. USE WITH DISTRICT CADD STANDARDS: "DITCH CHECK, IF NEEDED. DO NOT USE WITH DISTRICT CADD STANDARDS: "SLOPE DRAIN DETAILS FOR BURIED PIPE" "SLOPE DRAIN DETAILS FOR EXPOSED PIPE".

MODEL: SHT_PLAN
 FILE NAME: C:\Bentley\CONNECT101\Organization\Chillicothe\Standards\CallIDOT_Sheets.dwg

CONCRETE THRUST BLOCK BILL OF MATERIALS

PIPE SIZE	X	Y	CLASS SI CONCRETE cu. yd.
12	24	24	0.2
15	27	27	0.3
18	30	30	0.3
24	36	36	0.4
30	3'-6"	3'-6"	0.8



The contract unit price each for CONCRETE THRUST BLOCK shall include the cost of excavation, CLASS SI CONCRETE and compacted backfill.

QUANTITIES

CALC. BY: _____ DATE: _____
 CHECKED BY: _____ DATE: _____

QUANTITY CALCULATIONS ARE ON FILE AT THE DISTRICT 4 OFFICE; BUREAU OF PROJECT IMPLEMENTATION; DOCUMENTATION SECTION

All dimensions are in inches unless otherwise noted.

USER NAME = Eric.Thomas DESIGNED - DRAWN - CHECKED - PLOT DATE = 12/7/2022	DESIGNED - DRAWN - CHECKED - DATE -	REVISED - REVISED - REVISED - REVISED -	STATE OF ILLINOIS DEPARTMENT OF TRANSPORTATION	CONCRETE THRUST BLOCKS	F.A. RTE. SECTION DISTRICT 4 DETAIL NO. 609001	COUNTY CONTRACT NO.	TOTAL SHEETS	SHEET NO.
SCALE: NOT TO SCALE SHEET OF SHEETS STA. TO STA.				ILLINOIS FED. AID PROJECT				