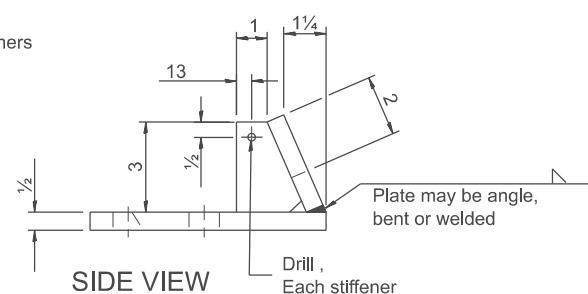
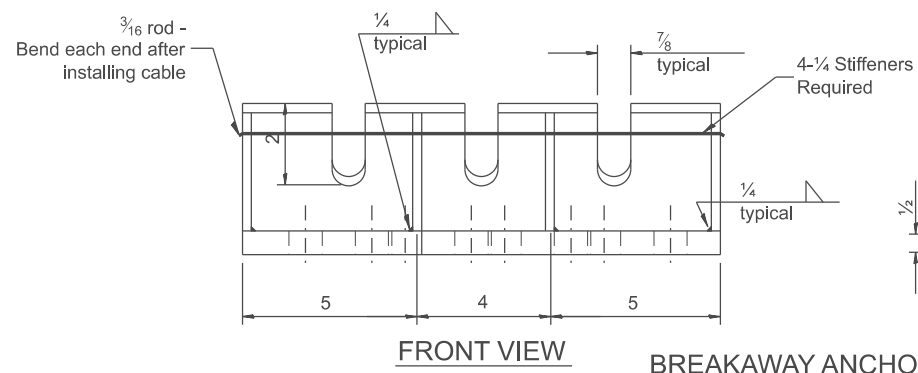
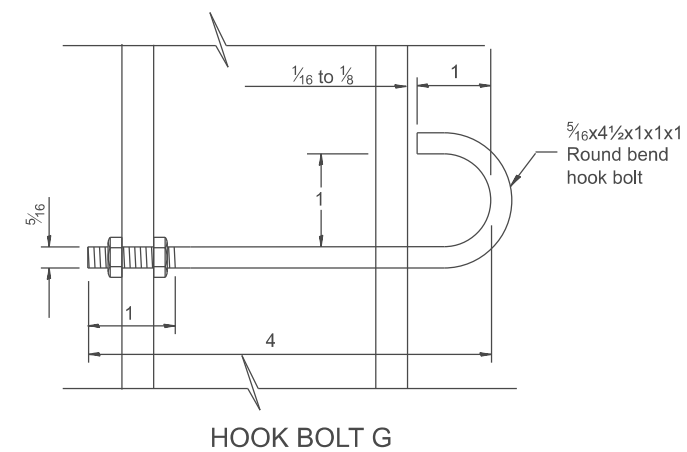
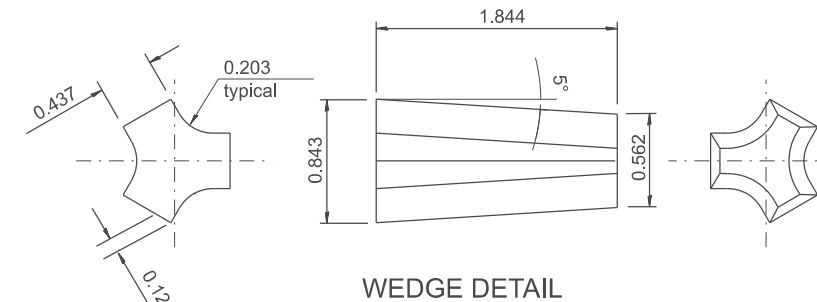


Use with Wedge Shown on this Sheet



BREAKAWAY ANCHOR ANGLE

All dimensions are in inches unless otherwise noted.

MODEL: SHT_PLAN
FILE NAME: C:\Bentley\CONNECT10110\organizer-ChrillIDOT_Standards\CatIDDOT_Sheets.cat

USER NAME = Eric.Thomas	DESIGNED -	REVISED -
	DRAWN -	REVISED -
	CHECKED -	REVISED -
PLOT DATE = 12/7/2022	DATE -	REVISED -

**STATE OF ILLINOIS
DEPARTMENT OF TRANSPORTATION**

(MEDIAN BARRIER) CABLE ROAD GUARD, THREE STRANDS

SCALE: NOT TO SCALE SHEET 3 OF 3 SHEETS STA. TO STA.

F.A. RTE.	SECTION	COUNTY	TOTAL SHEETS	SHEET NO.
DISTRICT 4 DETAIL NO. 636001		CONTRACT NO.		
ILLINOIS FED. AID PROJECT				