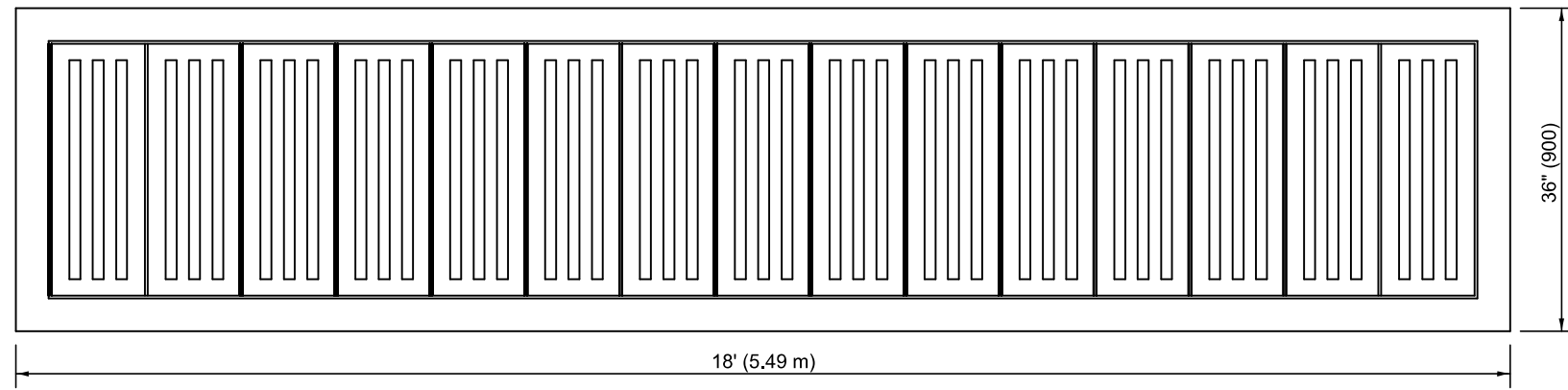
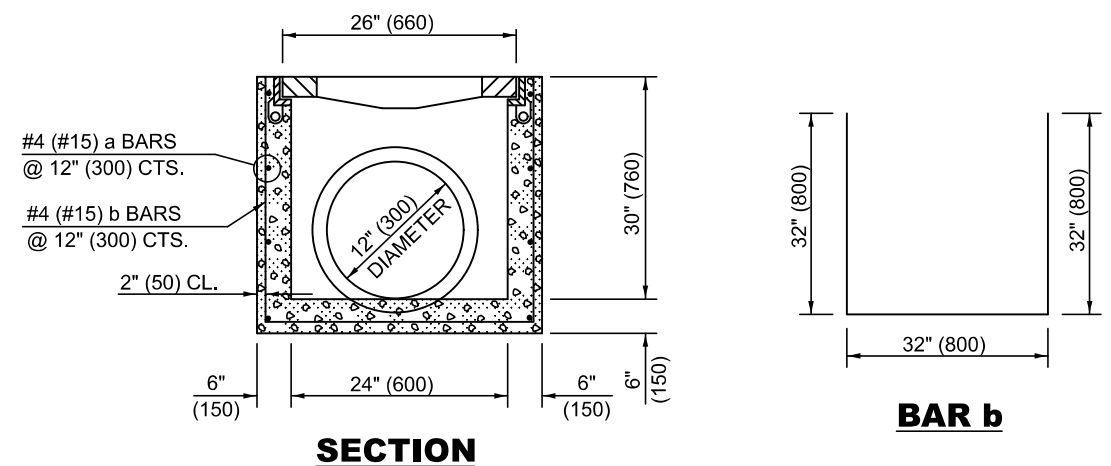


BILL OF MATERIALS			
BAR	QTY.	SIZE	LENGTH
a	10	#4 (#15)	17'-8" (5.39 m)
b	17	#4 (#15)	8'-0" (2.4 m)
c	8	#4 (#15)	2'-8" (800 mm)
CLASS SI CONCRETE		CU YD (m <sup>3</sup> )	2.9 (2.9)
REINFORCEMENT BARS		LBS (kg)	230 (104)
GRATING		SQ YD (m <sup>2</sup> )	4.13 (3.45)



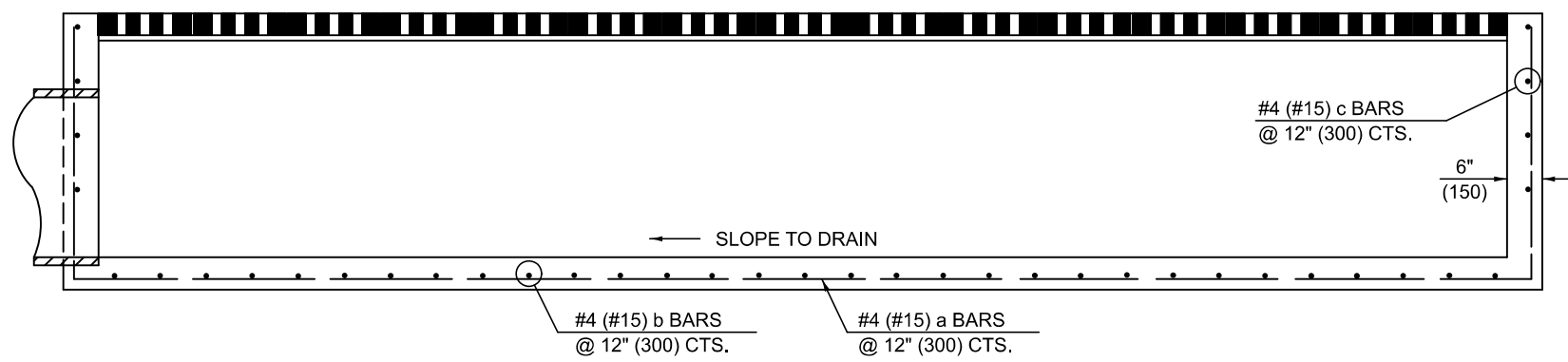
**PLAN**



**GENERAL NOTES**

CLASS SI CONCRETE SHALL BE USED THROUGHOUT. THE GRATING AND FRAME SHALL BE NEENAH GRATE NO. R-4990-H, BOLTED DOWN, GRATE OPENING TYPE "B" AND TYPE "X" FRAME OR APPROVED EQUAL. THE FRAME AND GRATE ARE TO BE DUCTILE IRON AND THE GRATES SHALL BE BOLTED TO THE FRAMES BY BRONZE CAP SCREWS.

THIS WORK WILL BE PAID FOR AT THE CONTRACT UNIT PRICE, EACH, FOR INLETS, SPECIAL, WHICH PRICE SHALL INCLUDE ALL MATERIAL AND LABOR, INCLUDING EXCAVATION, BACKFILL, CLASS SI CONCRETE, REINFORCEMENT BARS, FRAMES AND GRATING TO COMPLETE THE WORK AS SHOWN.



Note: All dimensions are in INCHES (millimeters) unless otherwise shown.

**DISTRICT 5 DETAIL NO. 60242400**

MODEL: SHT\_PLAN  
FILE NAME: C:\Bentley\CONNECT\10110\organizer\ChilIDOT\_Standards\CivilIDOT\_Sheets.cad

USER NAME = Eric.Thomas	DESIGNED -	REVISED - 11/06
PLOT SCALE = \$\$SCALE\$	DRAWN -	REVISED -
PLOT DATE = 12/7/2022	CHECKED -	REVISED -
	DATE -	REVISED -

**STATE OF ILLINOIS  
DEPARTMENT OF TRANSPORTATION**

**INLETS, SPECIAL**

SCALE: SHEET 1 OF 1 SHEETS STA. TO STA.

F.A. RTE.	SECTION	COUNTY	TOTAL SHEETS	SHEET NO.
CONTRACT NO.				
ILLINOIS FED. AID PROJECT				