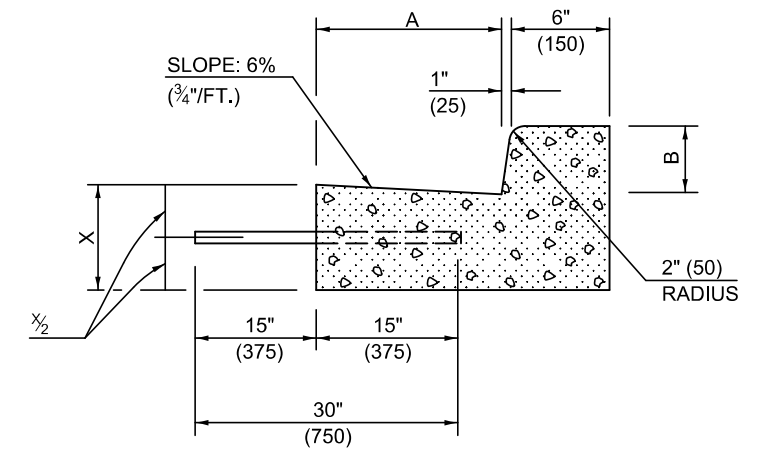


SECTION A-A

* INCREASE TO 2" (50 mm) WHERE IN THE PLANS IT IS SPECIFIED THAT THESE SPECIAL INLETS ARE TO BE CONSTRUCTED AS OUTLETS. ALL OUTLET LOCATIONS WILL BE CONFIRMED BY THE ENGINEER.



SECTION B-B

GENERAL NOTES

1. CLASS SI CONCRETE SHALL BE USED THROUGHOUT.
2. TIE BARS SHALL BE NO. 6 (NO. 20) AT 24" (600 mm) CENTERS UNLESS OTHERWISE SHOWN. SPECIAL INLETS AND OUTLETS SHALL BE TIED TO THE PAVEMENT IN ACCORDANCE WITH DETAILS FOR LONGITUDINAL CONSTRUCTION JOINT SHOWN ON STANDARD 420001.
3. TIE BARS SHOWN ABOVE WILL NOT BE PAID FOR SEPARATELY BUT SHALL BE CONSIDERED AS INCIDENTAL TO CLASS SI CONCRETE (OUTLET).
4. WHEN SPECIAL INLET IS CONSTRUCTED ADJACENT TO FLEXIBLE PAVEMENT, THE TIE BARS SHALL BE OMITTED AND ALL CONSTRUCTION JOINTS SHALL BE PROVIDED WITH A DOWEL BAR CONFORMING TO ARTICLE 1006.11(b).
5. THIS WORK WILL BE PAID FOR AT THE CONTRACT UNIT PRICE PER CU. YD. (m³) FOR CLASS SI CONCRETE (OUTLET) WHICH PRICE SHALL INCLUDE ALL LABOR AND MATERIAL AS SPECIFIED AND NO ADDITIONAL COMPENSATION WILL BE ALLOWED.

	B-6.12 (B-15.30)		B-9.12 (B-22.30)		B-6.18 (B-15.45)		B-9.18 (B-22.45)		B-6.24 (B-15.60)		B-9.24 (B-22.60)	
A	12" (300)	12" (300)	12" (300)	12" (300)	18" (450)	18" (450)	18" (450)	18" (450)	24" (600)	24" (600)	24" (600)	24" (600)
B	6" (150)	6" (150)	9" (225)	9" (225)	6" (150)	6" (150)	9" (225)	9" (225)	6" (150)	6" (150)	9" (225)	9" (225)
X	9" (225)	10" (250)	9" (225)	10" (250)	9" (225)	10" (250)	9" (225)	10" (250)	9" (225)	10" (250)	9" (225)	10" (250)
CU. YD. (m ³)	0.37 (0.28)	0.42 (0.32)	0.38 (0.29)	0.42 (0.32)	0.44 (0.34)	0.49 (0.37)	0.45 (0.34)	0.50 (0.38)	0.51 (0.39)	0.56 (0.43)	0.52 (0.40)	0.57 (0.44)
CLASS SI CONCRETE (OUTLET)												

Note: All dimensions are in INCHES (millimeters) unless otherwise shown.

DISTRICT 5 DETAIL NO. 6060095A

MODEL: SHT_PLAN
FILE NAME: C:\Bentley\CONNECT1011\Organization\Chil\IDOT_Standards\Call\IDOT_Sheets.cad

USER NAME = Eric.Thomas	DESIGNED -	REVISED - 11/06
PLOT SCALE = \$\$SCALE\$	DRAWN -	REVISED -
PLOT DATE = 12/7/2022	CHECKED -	REVISED -
	DATE -	REVISED -

**STATE OF ILLINOIS
DEPARTMENT OF TRANSPORTATION**

INLET - COMBINATION CONCRETE CURB & GUTTER (BARRIER CURB)

SCALE: SHEET 1 OF 1 SHEETS STA. TO STA.

F.A. RTE.	SECTION	COUNTY	TOTAL SHEETS	SHEET NO.
CONTRACT NO.				
ILLINOIS FED. AID PROJECT				